

AV RECEIVER

RX-V3000

RX-V3000RDS

SERVICE MANUAL

IMPORTANT NOTICE

This manual has been provided for the use of authorized YAMAHA Retailers and their service personnel. It has been assumed that basic service procedures inherent to the industry, and more specifically YAMAHA Products, are already known and understood by the users, and have therefore not been restated.

WARNING: Failure to follow appropriate service and safety procedures when servicing this product may result in personal injury, destruction of expensive components, and failure of the product to perform as specified. For these reasons, we advise all YAMAHA product owners that any service required should be performed by an authorized YAMAHA Retailer or the appointed service representative.

IMPORTANT: The presentation or sale of this manual to any individual or firm does not constitute authorization, certification or recognition of any applicable technical capabilities, or establish a principle-agent relationship of any form.

The data provided is believed to be accurate and applicable to the unit(s) indicated on the cover. The research, engineering, and service departments of YAMAHA are continually striving to improve YAMAHA products. Modifications are, therefore, inevitable and specifications are subject to change without notice or obligation to retrofit. Should any discrepancy appear to exist, please contact the distributor's Service Division.

WARNING: Static discharges can destroy expensive components. Discharge any static electricity your body may have accumulated by grounding yourself to the ground buss in the unit (heavy gauge black wires connect to this buss).

IMPORTANT: Turn the unit OFF during disassembly and part replacement. Recheck all work before you apply power to the unit.

■ CONTENTS

TO SERVICE PERSONNEL	1	IC DATA	29 – 42
FRONT PANELS	2	DISPLAY DATA	43 – 44
REAR PANELS	3 – 4	PIN CONNECTION DIAGRAM	45
SPECIFICATIONS	5 – 7	BLOCK DIAGRAM	46 – 49
INTERNAL VIEW	8	PRINTED CIRCUIT BOARD	50 – 73
DISASSEMBLY PROCEDURES	8	SCHEMATIC DIAGRAM	74 – 80
SELF DIAGNOSIS FUNCTION	9 – 27	PARTS LIST	81 – 106
AMP CHECK	28	REMOTE CONTROL TRANSMITTER	107 – 112



このサービスマニュアルは、エコマーク認定の再生紙を使用しています。
This Service Manual uses recycled paper.



■ TO SERVICE PERSONNEL

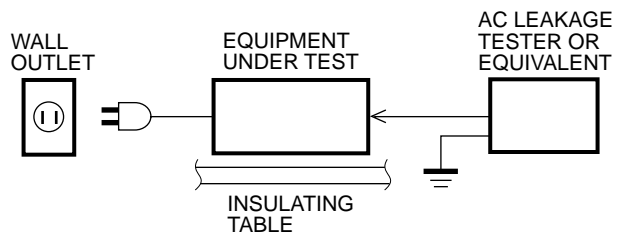
1. Critical Components Information

Components having special characteristics are marked \triangle and must be replaced with parts having specifications equal to those originally installed.

2. Leakage Current Measurement (For 120V Models Only)

When service has been completed, it is imperative to verify that all exposed conductive surfaces are properly insulated from supply circuits.

- Meter impedance should be equivalent to 1500 ohm shunted by 0.15 μ F.
- Leakage current must not exceed 0.5mA.



- Be sure to test for leakage with the AC plug in both polarities.



“CAUTION”

“F311 : FOR CONTINUED PROTECTION AGAINST RISK OF FIRE, REPLACE ONLY WITH SAME TYPE 10A, 250V FUSE.”

CAUTION

F311 : REPLACE WITH SAME TYPE 10A, 250V FUSE.

ATTENTION

F311 : UTILISER UN FUSIBLE DE RECHANGE DE MEME TYPE DE 10A, 250V.

WARNING: CHEMICAL CONTENT NOTICE!

The solder used in the production of this product contains LEAD. In addition, other electrical/ electronic and/or plastic (where applicable) components may also contain traces of chemicals found by the California Health and Welfare Agency (and possibly other entities) to cause cancer and/or birth defects or other reproductive harm.

DO NOT PLACE SOLDER, ELECTRICAL/ ELECTRONIC OR PLASTIC COMPONENTS IN YOUR MOUTH FOR ANY REASON WHATSOEVER!

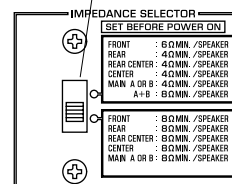
Avoid prolonged, unprotected contact between solder and your skin! When soldering, do not inhale solder fumes or expose eyes to solder/flux vapor!

If you come in contact with solder or components located inside the enclosure of this product, wash your hands before handling food.

WARNING

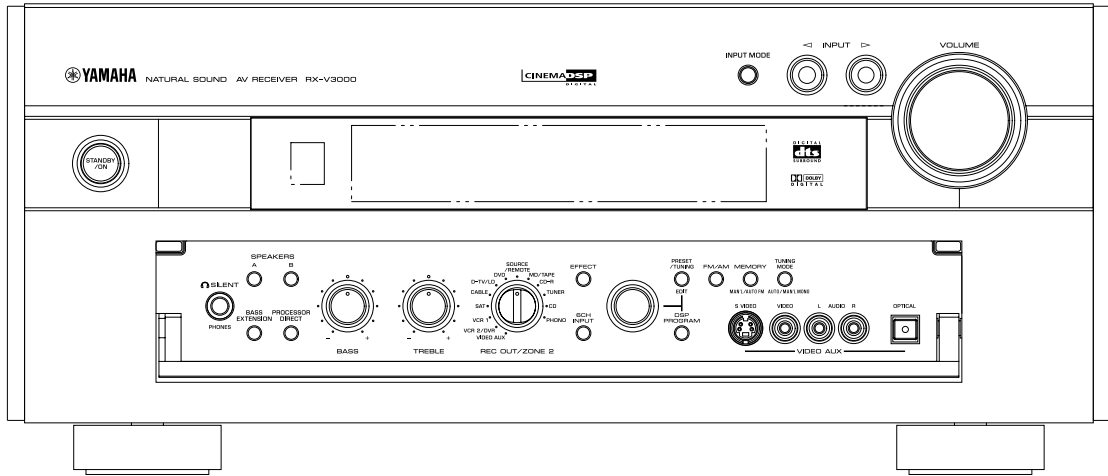
Do not change the IMPEDANCE SELECTOR switch setting while the power to this unit is on, otherwise this unit may be damaged.

IMPEDANCE SELECTOR

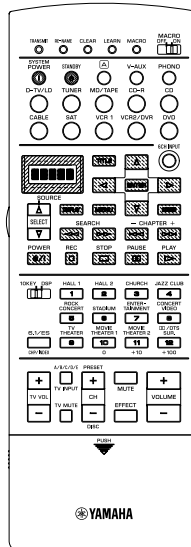
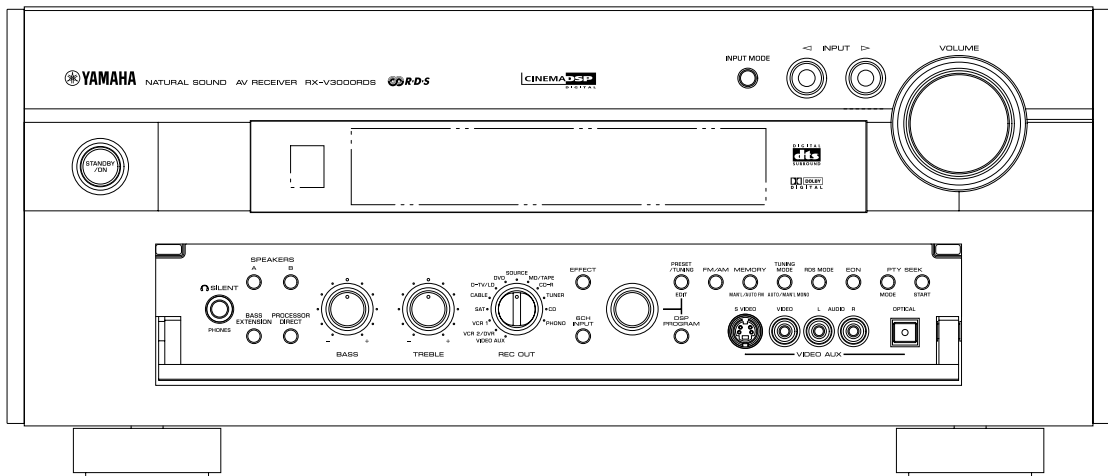


FRONT PANELS

▼ RX-V3000

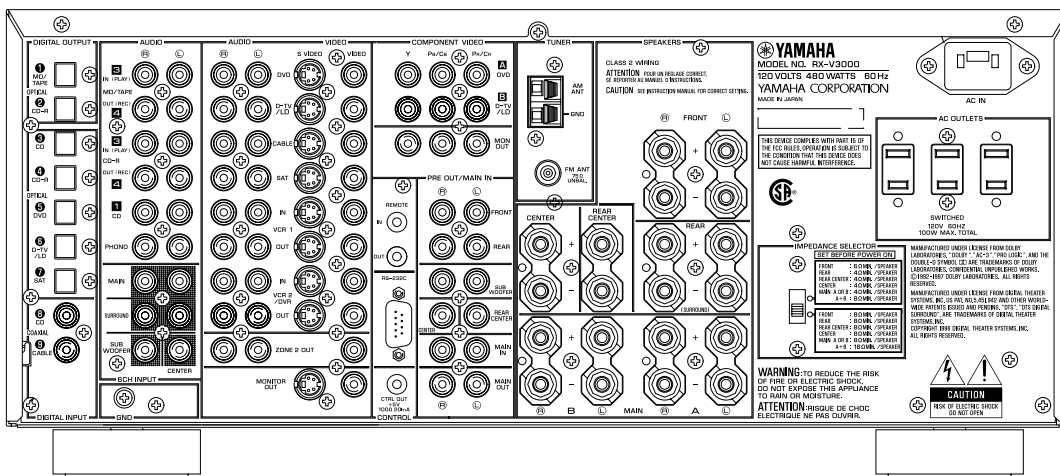


▼ RX-V3000RDS

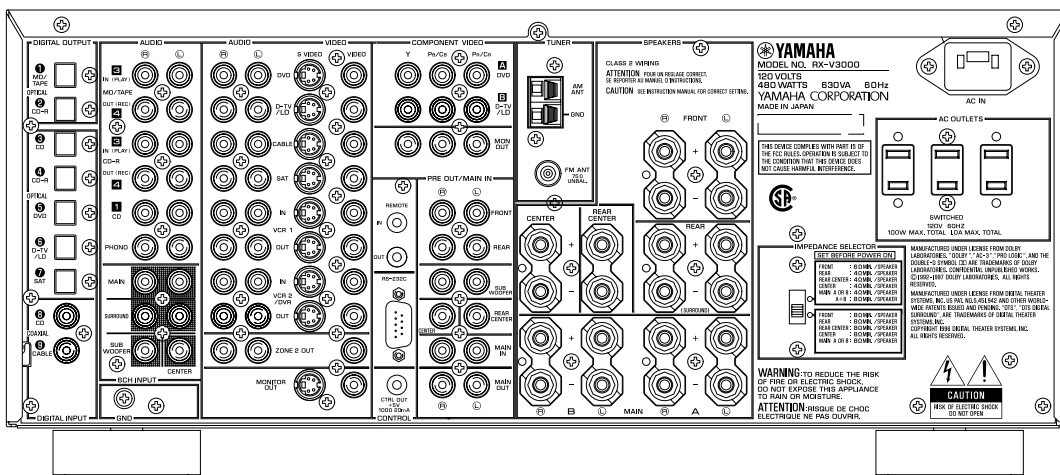


REAR PANELS

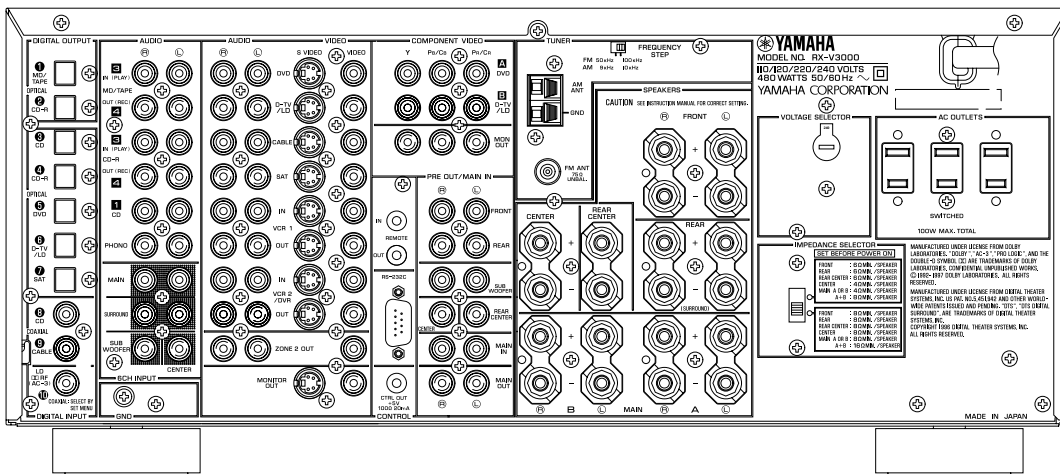
RX-V3000 U model



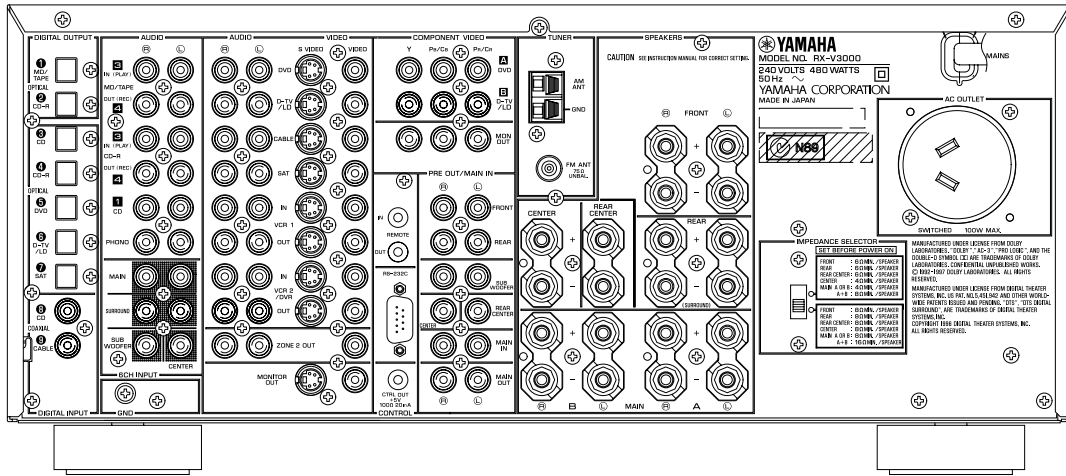
RX-V3000 C model



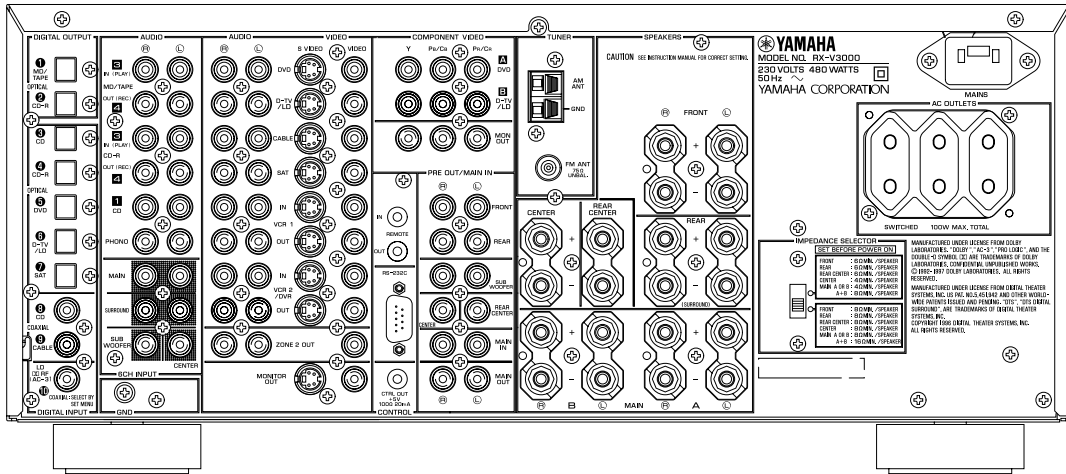
RX-V3000 R, T models



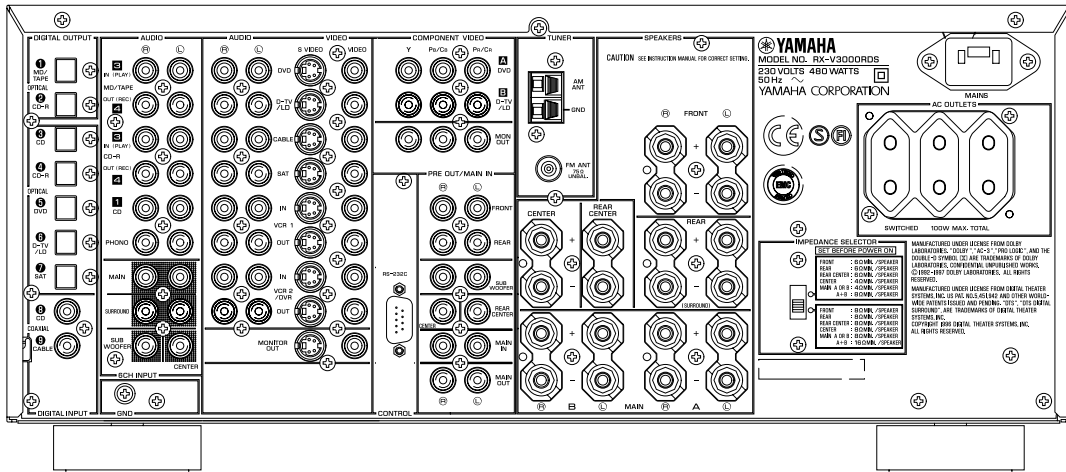
▼ RX-V3000 A model



▼ RX-V3000 L model



▼ RX-V3000RDS G model



■ SPECIFICATIONS

■ AUDIO SECTION

Minimum RMS Output Power per Channel

MAIN, 20Hz to 20kHz, 0.02% THD, 8Ω	100W+100W
CENTER, 20Hz to 20kHz, 0.02% THD, 8Ω	100W
REAR, 20Hz to 20kHz, 0.02% THD, 8Ω	100W+100W
REAR CENTER,	
20Hz to 20kHz, 0.02% THD, 8Ω	100W
FRONT, 1kHz, 0.05% THD, 8Ω	25W+25W

Maximum Power per Channel (R, T models only)

MAIN, 1kHz, EIAJ, 10% THD, 8Ω	140W+140W
CENTER, 1kHz, EIAJ, 10% THD, 8Ω	140W
REAR, 1kHz, EIAJ, 10% THD, 8Ω	140W+140W
REAR CENTER, 1kHz, EIAJ, 10% THD, 8Ω	140W
FRONT, 1kHz, EIAJ, 10% THD, 8Ω	35W+35W

Dynamic Power per Channel (U, C, R, T models only)

MAIN, 8/6/4/2Ω	140/170/220/320W
----------------	------------------

Dynamic Headroom (U, C, R, T models only)

8Ω	1.46dB
----	--------

DIN Standard Output Power per Channel (L, G models only)

MAIN, 1kHz, 0.7% THD, 4Ω	160W+160W
CENTER, 1kHz, 0.7% THD, 4Ω	160W
REAR, 1kHz, 0.7% THD, 4Ω	160W+160W
REAR CENTER, 1kHz, 0.7% THD, 4Ω	160W
FRONT, 1kHz, 0.7% THD, 4Ω	40W+40W

IEC Power (L, G models only)

MAIN, 1kHz, 0.015% THD, 8Ω	115W
----------------------------	------

Power Band Width

MAIN, 0.08% THD, 50W/8Ω	10Hz to 50kHz
-------------------------	---------------

Damping Factor

MAIN, 20Hz to 20kHz, 8Ω	200 or more
-------------------------	-------------

Input Sensitivity/Impedance

CD, etc (1kHz, 100W/8Ω)	150mV/47kΩ
PHONO MM	2.5mV/47kΩ
MAIN IN	1V/47kΩ

Maximum Input Signal Level

PHONO MM, 1kHz, 0.05% THD, (Effect on)	110mV
CD, etc, (Effect on)	2.3V

Output Level/Impedance

REC OUT	150mV/1kΩ
PRE OUT (MAIN, etc)	1V/1.2kΩ
SUB WOOFER (EFFECT OFF, MAIN SP : SMALL)	
MONO	4.0V/1.2kΩ
ZONE2 OUT (Except G)	1V/1.5kΩ

Maximum Voltage Output (20Hz to 20kHz, 1% THD)

PRE OUT (MAIN L/R)	1.5V
--------------------	------

Headphone Jack Rated Output/Impedance

CD, etc (1kHz, 40mV, 8Ω)	150mV/100Ω
--------------------------	------------

Frequency Response

CD, etc (10Hz to 100kHz, MAIN L/R)	+0/-3.0dB
MAIN IN (5Hz to 100kHz, MAIN L/R)	+0/-3.0dB

RIAA Equalization Deviation

PHONO MM (20Hz to 20kHz)	0±0.5dB
--------------------------	---------

Tone Control Characteristics

BASS : Boost/cut	±10dB (50Hz)
Turnover Frequency	350Hz
TREBLE : Boost/cut	±10dB (20kHz)
Turnover Frequency	3.5kHz

Bass Extension

	+6dB (60Hz)
--	-------------

Filter Characteristics

MAIN, CENTER, REAR SP SMALL	
: H.P.F.	fc = 90Hz, 12dB/oct.
SUB WOOFER OUT : L.P.F.	fc = 90Hz, 18dB/oct.

Residual Noise (IHF-A-Network)

MAIN L/R, SP OUT	150μV
------------------	-------

Total Harmonic Distortion (20Hz to 20kHz)

PHONO MM to REC OUT (3V)	0.01%
CD, etc, to PRE OUT MAIN L/R (1V)	0.005%
CD, etc, to SP OUT L/R (50W/8Ω)	0.015%
MAIN IN to SP OUT L/R (50W/8Ω)	0.008%

Signal-to-Noise Ratio (IHF-A-Network)

PHONO MM, Input Shorted 5mV (Effect off)	
U, C, R, T models	86dB
A, L, G models	82dB
CD, etc, Input Shorted 150mV (Effect off)	96dB
CD, etc, Input Shorted 250mV (Effect off)	100dB

Channel Separation (Vol. -30dB, Effect off)

PHONO MM, Input Shorted, 1kHz/10kHz	60dB/55dB
CD, etc, Input 5.1kΩ Shorted, 1kHz/10kHz	60dB/45dB

Muting

■ VIDEO SECTION

Video Signal Type

U, C models	NTSC
A, L, G models	PAL
R, T models	NTSC/PAL

Composite Video Signal Level

	1Vp-p/75Ω
--	-----------

S-Video Signal Level

Y	1Vp-p/75Ω
C	0.286Vp-p/75Ω

Component Signal Level

Y	1Vp-p/75Ω
Cb/Cr	0.7Vp-p/75Ω

Video Maximum Input Level

	1.5Vp-p
--	---------

Video Signal-to-Noise Ratio

	50dB
--	------

Monitor Output Frequency Response

Composite Video Signal	5Hz - 10MHz, -3dB
------------------------	-------------------

S-Video Signal	5Hz - 10MHz, -3dB
----------------	-------------------

Component Signal	DC - 30MHz, -3dB
------------------	------------------

■ FM SECTION

Tuning Range

U, C models87.5 to 107.9MHz
 A, L, G models87.50 to 108.00MHz
 R, T models 87.5 to 108.0/87.50 to 108.00MHz

50dB Quieting Sensitivity (IHF, 75 Ω)

Mono (1kHz, 100% Mod.) 2.0μV (17.3dBf)
 Stereo (1kHz, 100% Mod.) 25μV (39.2dBf)

Usable Sensitivity (IHF, 75 Ω)

Mono 1.0μV (11.2dBf)

Selectivity

400kHz 70dB

Signal-to-Noise Ratio (IHF)

Mono/Stereo 76/70dB

Harmonic Distortion

Mono/Stereo (1kHz) 0.2/0.3%

Stereo Separation

1kHz 45dB

Frequency Response

20Hz to 15kHz +0.5/-2.0dB

Antenna Input 75 Ω unbalanced

■ AM SECTION

Tuning Range

U, C models530 to 1,710kHz
 A, L, G models531 to 1,611kHz
 R, T models 530 to 1,710/531 to 1,611kHz

Usable Sensitivity 300μV/m

Antenna Loop antenna

■ GENERAL

Power Supply

U, C models AC 120V, 60Hz
 A model AC 240V, 50Hz
 L, G models AC 230V, 50Hz
 R, T models AC 110/120/220/240V, 50/60Hz

Power Consumption

U model 480W
 C model 480W/630VA
 A, L, G, R, T models 480W

Maximum Power Consumption (R, T models only) .. 770W

Standby Power Consumption

U, C, A, L, G models 1.2W
 R, T models (AC220V, 50Hz) 1.5W

AC Outlets

U, R, T, L, G models, Switched x 3 ... 100W max (Total)
 C model, Switched x 3 100W max/1.0A max (Total)
 A model, Switched x 1 100W max

**Dimensions (W x H x D) 449 x 191 x 468mm
 (17-11/16" x 7-1/2" x 18-7/16")**

Weight 22.0 kg (48 lbs 8oz)


Finish

U, C, R, A, G, T models Black color
 U, C, R, L, T models Gold color

Accessories

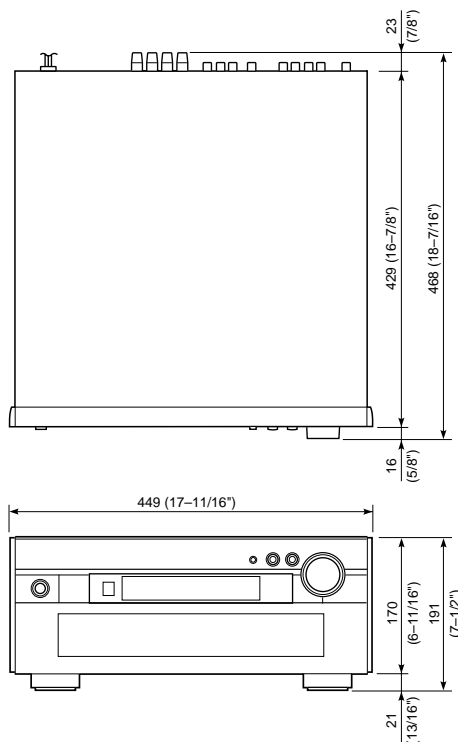
- AM loop antenna x 1
- Indoor FM antenna x 1
- Power cord x 1(U, C, G, L only)
- Sheet/side(L, R) x 1
- Remote Control Transmitter x 1
- Battery (size "AA", "R06") x 3

- U USA model
- C Canadian model
- A Australian model
- L Singapore model
- G European model
- R General model
- T China model

Manufactured under license from Dolby Laboratories. "Dolby", "AC-3", "Pro Logic", and the double-D symbol  are trademarks of Dolby Laboratories. © 1992-1997 Dolby Laboratories. All rights reserved.

Manufactured under license from Digital Theater Systems, Inc. US Pat. No. 5,451,942 and other world-wide patents issued and pending. "DTS", "DTS Digital Surround", are trademarks of Digital Theater Systems, Inc. copyright 1996 Digital Theater Systems, inc. All rights reserved.

● DIMENSIONS



Units : mm (inch)

* Specifications subject to change without notice.

● **SET MENU TABLE**

No.	SET MENU	PRESET VALUE	SETTING RANGES
1.	SPEAKER SET		
1A	CENTER SPEAKER	LARGE	LARGE/SMALL/NONE
1B	MAIN SPEAKER	LARGE	LARGE/SMALL
1C	REAR L/R SPEAKER	LARGE	LARGE/SMALL/NONE
1D	REAR CT SPEAKER	LARGE	LARGE/SMALL/NONE
1E	LFE/BASS OUT	BOTH	SUBWOOFER/MAIN/BOTH
1F	FRONT EFFECT SPEAKER	YES	YES/NONE
1G	MAIN LEVEL	NORMAL	NORMAL/−10dB
2.	LOW FREQ. TEST	TONE : OFF OUTPUT : MAIN L/R FREQUENCY : 88Hz	ON/OFF L/C/R/RS/RC/LS/SW/FRONT 35 — 250Hz
3.	L/R BALANCE	0	L — 0 — R (0.5 step) (L/R 10.0)
4.	HP TONE CTRL	BASS : 0dB TREBLE : 0dB	−6dB — +3dB (1dB step) −6dB — +3dB
5.	CENTER GRAPHIC EQ.	EACH ch : 0dB	100Hz — 10kHz, −6dB — +6dB
6.	INPUT RENAME	DVD(Currently selected input)	
7.	I/O ASSIGNING		
7A	COMPONENT VIDEO INPUT	[A] : DVD [B] : D-TV/LD	DVD, D-TV/LD, CABLE, SAT, VCR1, VCR2/DVR, V-AUX DVD, D-TV/LD, CABLE, SAT, VCR1, VCR2/DVR, V-AUX
7B	OPTICAL OUT	(1) : MD/TAPE (2) : CD-R	DVD, MD/TAPE, D-TV/LD, CABLE, SAT, VCR1, VCR2/DVR, V-AUX, PHONO, CD, CD-R DVD, MD/TAPE, D-TV/LD, CABLE, SAT, VCR1, VCR2/DVR, V-AUX, PHONO, CD, CD-R
7C	OPTICAL IN	(3) : CD (4) : CD-R (5) : DVD (6) : D-TV/LD (7) : SAT	CD, CD-R, MD/TAPE, DVD, D-TV/LD, CABLE, SAT, VCR1, VCR2/DVR, PHONO CD, CD-R, MD/TAPE, DVD, D-TV/LD, CABLE, SAT, VCR1, VCR2/DVR, PHONO CD, CD-R, MD/TAPE, DVD, D-TV/LD, CABLE, SAT, VCR1, VCR2/DVR, PHONO CD, CD-R, MD/TAPE, DVD, D-TV/LD, CABLE, SAT, VCR1, VCR2/DVR, PHONO
7D	COAXIAL IN	(8) : CD (9) : CABLE (10) : LD RF (R, T, L only)	CD, CD-R, MD/TAPE, DVD, D-TV/LD, CABLE, SAT, VCR1, VCR2/DVR, V-AUX, PHONO CD, CD-R, MD/TAPE, DVD, D-TV/LD, CABLE, SAT, VCR1, VCR2/DVR, V-AUX, PHONO LD RF, CD, CD-R, MD/TAPE, DVD, D-TV/LD, CABLE, SAT, VCR1, VCR2/DVR, V-AUX, PHONO
8.	INPUT MODE	DVD : AUTO	AUTO/LAST
9.	PARAMETER INITIALIZE	OFF	PROGRAM 1 — 12
10.	DOLBY DIGITAL SET		
10A	LFE LEVEL	SPEAKER : 0dB HEAD PHONE : 0dB	−20dB — 0dB −20dB — 0dB
10B	DYNAMIC RANGE	SPEAKER : MAX HEAD PHONE : MAX	MAX/STD/MIN MAX/STD/MIN
11.	DTS SET		
11A	LFE LEVEL	SPEAKER : 0dB HEAD PHONE : 0dB	−10dB — +10dB −10dB — +10dB
12.	6.1/ES AUTO	ON	ON/OFF
13.	SPEAKER DELAY TIME	CENTER : 0ms REAR CENTER : 3ms	0ms — 5ms (1ms step) 0ms — 30ms
14.	DISPLAY SET	BLUE BACK : AUTO OSD SHIFT : 0 DIMMER : 0	AUTO/OFF −5 — +5 −4 — 0
15.	MEMORY GUARD	OFF	ON/OFF
16.	ZONE2 SET (Except G)	ZONE2 OUT : FIXED	FIXED/VAR

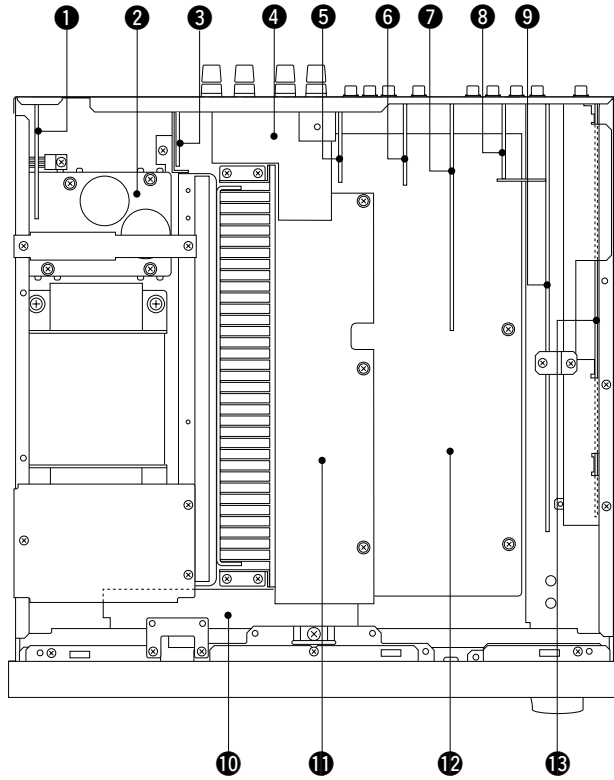
● **SUPERIMPOSING**

Input LD, etc.		Output	Superimposing
Terminal	Signal	Monitor connection	
S	O	O	O (On screen)
V	O	—	X
S	O	X	X
V	O	—	O (On screen)
S	O	O	O (On screen)
V	X	—	X
S	O	X	X
V	X	—	O (Blue back)
S	X	—	X
V	O	—	X (On screen)
S	X	—	O (Blue back)
V	X	—	O (Blue back)

S : S video signal
V : Composite video signal
O : YES
X : NO
— : NO CARE

Caution: Superimposing function is not usable for component signals.

INTERNAL VIEW



- ① F AMP (2) P.C.B.
- ② MAIN (2) P.C.B.
- ③ MAIN (4) P.C.B.
- ④ F AMP (3) P.C.B.
- ⑤ VIDEO (3) P.C.B.
- ⑥ VIDEO (2) P.C.B.
- ⑦ VIDEO (1) P.C.B.
- ⑧ VIDEO (4) P.C.B.
- ⑨ FUNCTION P.C.B.
- ⑩ OPERATION (2) P.C.B.
- ⑪ F AMP (1) P.C.B.
- ⑫ MAIN (1) P.C.B.
- ⑬ DSP P.C.B.

DISASSEMBLY PROCEDURES (Remove parts in the order as numbered.)

1. Removal of Top Cover

Remove 8 screws (①, ② and ③) and then remove the Top Cover in Fig. 1.

2. Removal of Bottom Cover

a. Remove 13 screws (④) and then remove the Bottom Cover in Fig. 1.

3. Removal of Front Panel

a. Remove a knob in Fig. 1.
b. Remove 4 screws (⑤) and then remove the Front Panel in Fig. 1.

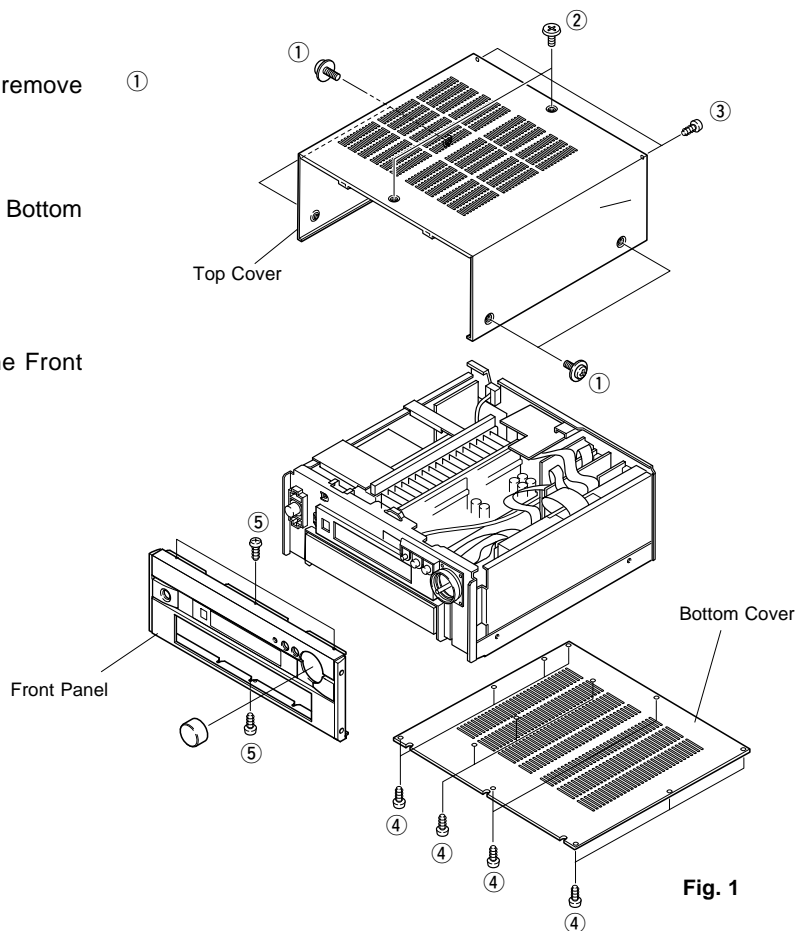


Fig. 1

■ SELF DIAGNOSIS FUNCTION

This product has a built-in self diagnosis function (DIAG) to facilitate inspection, measurement and determination of a faulty item, if any. There are 13 DIAG menu items each of which has sub-menu items.

Listed in the table below are menu items and sub-menu items.

(Start-up and menu operation of DIAG is executed by using the main unit and its remote control unit.)

No.	DIAG menu	Sub-menu	Remote control code (key)
1	DSP THROUGH	1. ANALOG BYPASS	7A---90 (PRG 9)
		2. DSP 0dB	7A---91 (PRG 10)
		3. FULL BIT	7A---92 (PRG 11)
2	HP ROUTE	1. 0dB	7A---93 (PRG 12)
		2. FULL BIT	7A---10 (TUNER PRESET +)
3	RAM THROUGH	1. 0dB	7A---11 (TUNER PRESET -)
4	PRO LOGIC	1. YSS928	7A---0C (CD FF)
5	SPEAKERS SET	1. MAIN:SMALL 0dB	7A--88 (PRG 1)
		2. MAIN:LARGE -10	7A--89 (PRG 2)
		3. CENTER:NONE	7A--8A (PRG 3)
		4. LFE/BASS:MAIN	7A--8B (PRG 4)
		5. FRONT MIX:5ch	7A--8C (PRG 5)
		6. REAR CENTER:MUT	7A--8D (PRG 6)
		7. REAR L/R:MUTE	7A--8E (PRG 7)
6	DISPLAY CHECK	1. EFFECT OFF (initial screen)	7A--8F (PRG 8)
		2. DISPLAY OFF	-----
		3. DISPLAY ALL	-----
		4. DISPLAY DIMMER (50%)	-----
		5. CHECKED PATTERN	-----
7	MANUAL TEST	1. ALL	7A--00 (TAPE PLAY)
		2. MAIN L	7A--01 (TAPE RW)
		3. CENTER	7A--02 (TAPE FW)
		4. MAIN R	7A--03 (TAPE STOP)
		5. REAR R	7A--04 (TAPE PAUSE)
		6. REAR C	7A--05 (TAPE MUTE)
		7. REAR L	7A--06 (TAPE A/B)
		8. FRONT L	7A--07 (TAPE DIR A)
		9. FRONT R	7A--08 (CD PLAY)
		10. LFE	7A--09 (CD STOP)
8	RS-232C	1. TX DATA	-----
		2. HARD FLOW	-----
9	PRESET	1. INHIBIT (memory initialization inhibited)	-----
		2. RESERVED (memory initialized)	7A--57 (SLEEP)
10	FAN/AD	1. FAN HISTORY	-----
		2. KY0, KY1(PANEL KEY), RECOU	-----
		3. THM, PRD, PRV	7A--0B (CD SKIP -)
11	IF STATUS	1. IFST	-----
		2. CHS1	-----
		3. CHS2	-----
		4. CHS3	-----
		5. CHS4	-----
		6. CHS5	-----
		7. BSI1	-----
		8. BSI2	-----
		9. BSI3	-----
		10. BSI4	-----
		11. BDS1	-----
		12. BDS2	-----
		13. BDS3	-----
		14. BDS4	-----
		15. YSS1	-----

No.	DIAG menu	Sub-menu	Remote control code (key)
11	IF STATUS	16. YSS2	-----
		17. YSS3	-----
12	DSP RAM CHECK	DSP RAM check	7A---0A (CD SKIP +)
13	SUM/VER/PORT	1. Version	7A---0D (CD REW)
		2. Checksum (ALL/PROG)	-----
		3. Checksum (232C/MAKER)	-----
		4. PORT (check of port settings for judging microprocessor function)	-----

● Starting DIAG

Press the "POWER" (STANDBY/ON) key of the main unit while pressing the "EFFECT" key and the "6CH INPUT" key located in the sealing panel of the main unit simultaneously, and DIAG will be activated.

● Starting DIAG in the protection cancel mode

If the protection function works and causes hindrance to trouble diagnosis, cancel the protection function as described below, and it will be possible to enter the DIAG mode. (The protection function other than the excess current detect function will be cancelled.)

Press the "POWER" (STANDBY/ON) key while pressing the "EFFECT" key and the "6CH INPUT" key simultaneously. At this time, keep pressing the "EFFECT" key and the "6CH INPUT" for 3 seconds or longer.

In this mode, " ZONE 2 " in the FL display of the main unit flashes.

CAUTION!

Using this product with the protection function cancelled may cause damage to itself. Use special care for this point when using this mode.

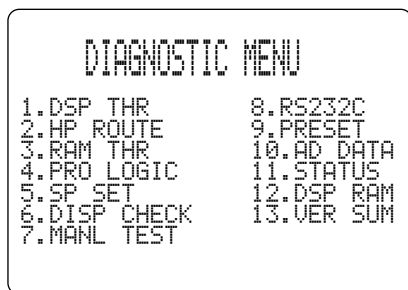
● Canceling DIAG

Turn off the power by pressing the "POWER" (STANDBY/ON) key of the main unit or the "POWER" key of the remote control unit.

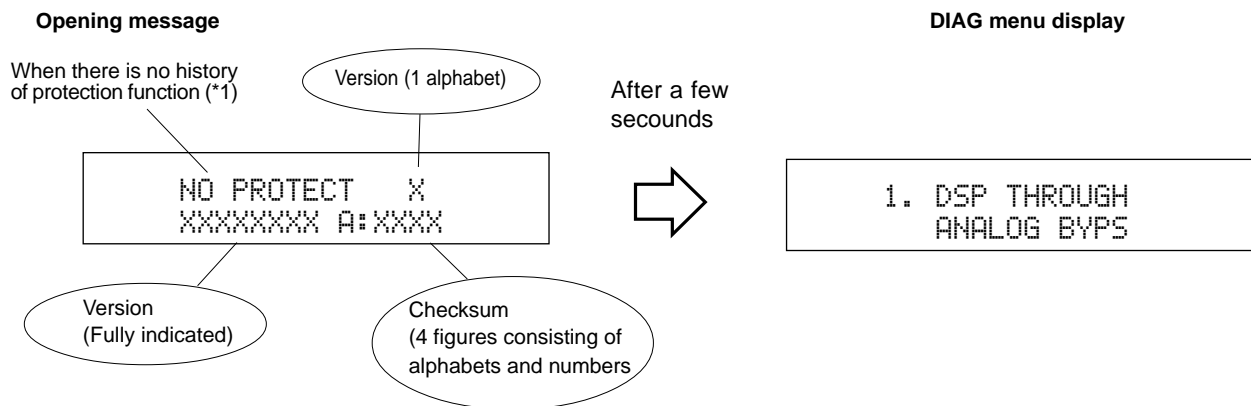
CAUTION: When canceling this function, check that DIAG menu No.9 PRESET (memory initialization inhibited/reserved) has been set. (To keep the user memory, be sure to select "INHIBIT" (initialization inhibited) from the No.9 PRESET menu before canceling the DIAG function.)

● Display at the start of DIAG

The diagnostic menu appears on the monitor screen. (It remains on display until it is canceled.)



On the FL display of the main unit, an opening message (including the version, checksum and the history of protection function) appears for a few seconds followed by the diagnostic menu display of 1 DSP THROUGH: ANALOG BYPS.



Checksum (4 figures consisting of alphabets and numbers)

The checksum is obtained by adding 4M bits per 16bits of the entire program code and expressing the result as a 4-figure hexadecimal data. (0xffff is added for the area where no code has been entered and for the area other than ROM code.)

(*1) If the history of the protection function has been recorded, the type of the protection function and the voltage value recorded last are displayed.

In the case where the protection function works after DIAG has been started and the power is turned off ;
When the protection function (*2) works, the history of the protection function appears on display and the power turns off. Repair the faulty parts according to the displayed history.

(*2) When an excess current or any other faulty condition is found with the power source, DC, etc., the protection function forces the power to turn off.

```
I PROTECT X
XXXXXXXXX A:XXXX
```

I PROTECTION display

(When the power is turned on without an abnormality corrected, the protection function works the moment the power relay is turned on to shut off the power supply.)

Cause: There is an abnormal current flow to the power amplifier.
Supplementary information: As the current of the power transistor of each channel is detected, the abnormal channel can be identified by checking the current detect transistor.

Reference: If I PROTECTION function has worked after SP relay ON, a warning message "CHECK SP WIRES" appears the next time the power is turned on. This indicates that some trouble exists after the SP terminal, such as a short-circuit of the speaker cable.

```
PS PRT :000 X
XXXXXXXXX A:XXXX
```

PS PRT display

(When the power is turned on without an abnormality corrected, the protection function works about 1 second later to shut off the power supply. Display may not be provided, if there is an abnormality with the power supply for the display.)

Cause: There is an abnormality in the power supply section (voltage).
Supplementary information: As the power from following sources is detected, it is possible to determine where an abnormality exists.

Transformer secondary winding
VI X 2(CB358), OR x 2(CB359)

Stabilizing power source
±12, ±5V, +5D1, +5D2, VP

```
DC PRT :000 X
XXXXXXXXX A:XXXX
```

DC PRT display

(When the power is turned on without an abnormality corrected, the protection function works about 3 seconds later to shut off the power supply.)

Cause: A DC output from the power amplifier of each channel is detected.

```
TMP PRT:000 X
XXXXXXXXX A:XXXX
```

TMP PRT display

(When the power is turned on without an abnormality corrected, the protection function works about 1 second later to shut off the power supply.)

Cause: The temperature of the heat sinks in the power amplifier is detected. When the temperature rises and an abnormality is detected, the power turns off.

Besides the above possible causes, the cause may exist in the disconnected connector or around CPU. PS PRT, DC PRT and TMP PRT displays include the abnormal A/D value in % (voltage value obtained by considering 5V as 100%). Concerning this value, refer to DIAG menu No.10 FAN/AD described on page 24.

● History of protection function

When the protection function has worked, its history is stored in memory with a backup. Even when no abnormality is noted while the unit is being serviced, an abnormality which has occurred previously can be defined as long as the backup data has been stored.

The protection history is cleared when DIAG is canceled by selecting "RESERVED" (memory initialization) from the setting items of the DIAG menu No.9 PRESET or when the backup data is erased.

● Operation procedure of DIAG menu and SUB-MENU

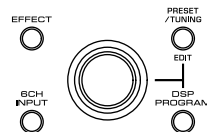
There are No.1 to No.13 MENU items and some SUB-MENU items as well.

DIAG menu selection

Main unit: DSP PROGRAM selector (forward/reverse)
Remote control unit: Cursor Δ (forward)/ ∇ (reverse) key

SUB-MENU selection

Main unit: EFFECT key (forward)
Remote control unit: Cursor +(forward)/-(reverse) key
Only the remote control keys indicated in the Menu List can be used to select a sub menu directly.



● Functions during DIAG being set

In addition to the DIAG menu, functions as listed below are available.

- Input selection (including ZONE2), 6CH input
- REC OUT switching
- ZONE2 input, volume
- Front/Center/Rear/Sub-woofer level adjustment
- Muting
- Speaker A/B
- Power on/off operation
- Master volume

It is possible to set to the following volume values using the remote control unit

Volume value (dB)	Remote control code (key)
0	7A---E0 (TUNER CHP/INDEX)
-21	7A---E1 (TUNER 9)
-40	7A---E2 (TUNER 10)
MUTE	7A---E3 (TUNER 11)

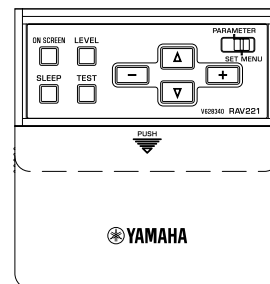
only during DIAG being set.

- * Functions related to the tuner and the set menu are not available.
- * It is possible to confirm Menu No.11 "IF STATUS" while keeping the signal process (operation status) of each DIAG menu by using the INPUT MODE key of the main unit.

● Initial settings used to start DIAG function

Following initial settings are used when starting the DIAG function.
When the DIAG function is canceled, the settings before starting DIAG will be restored.

- Input, ZONE2 input: DVD (6CH INPUT OFF)
- Master volume: -40dB
- ZONE2 volume: -6dB
- Front/Center/Rear/Sub-woofer level: 0dB
- Audio mute: OFF
- Speaker A/B: ON
- Speakers Settings
 - MAIN: LARGE
 - CENTER: LARGE
 - REAR: LARGE
 - REAR CENTER: LARGE
 - BASS OUT: BOTH
 - FRONT EFFECT: YES
 - MAIN LEVEL: Normal (0dB)
- DIAG menu: DSP THROUGH (ANALOG BYPASS)



Details of DIAG menu

1. DSP THROUGH

There are 3 sub menu items (ANALOG BYPS, DSP 0dB, FULL BIT).

1. DSP THROUGH
ANALOG BYPS

ANALOG BYPS [Remote control code: 7A—90(PRG 9)]

- The input mode is fixed to use the analog (A/D) system.
- The L/R signal is output through the analog bypass without using the DSP section.
- C/RC, FL/FR, RL/RR and SWFR signals are output through DSP (see the signal path in the figure below) without using the external DRAM. (Head margin included)

Head margin

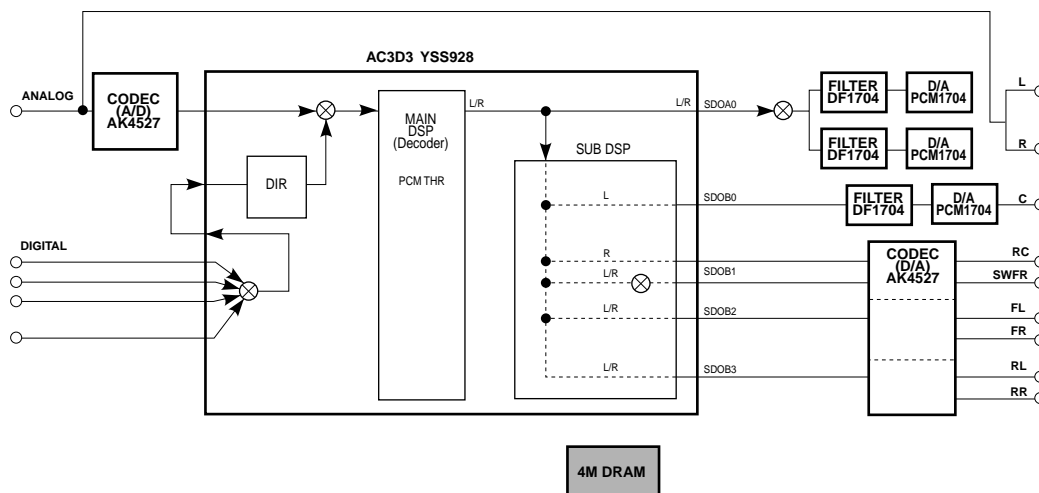
CENTER:	-6dBFS
REAR CENTER:	-3dBFS
FL/FR:	-6dBFS
RL/RR:	-12dBFS
SWFR:	Add L/R signal at -20dBFS.

Reference (PRE OUT)

INPUT : DVD ANALOG

SWFR: 50Hz, Others: 1kHz

Condition	MAIN L/R	CENTER	REAR C	SWFR	REAR L/R	FRONT L/R
Both ch, -20 dBV, volume 0dB	-3.5 dBV	-3.5 dBV	-3.5 dBV	+8.5 dBV	-3.5 dBV	-3.5 dBV



Note: (SDOxx) represents a terminal name of AC3D3.

The shaded square () means that the element included in it does not operate.

1. DSP THROUGH
DSP 0dB

DSP 0dB [Remote control code: 7A—91 (PRG 10)]

- The input signal is automatically identified and switched in the priority order of dts → DOLBY DIGITAL → PCM AUDIO → Analog (A/D) according to the signal detection.
- L/R, C/RC, FL/FR, RL/RR and SWFR signals are output through DSP (see the signal path in the figure below) without using the external DRAM. (Head margin included)

Head margin

MAIN L/R:	0dBFS
CENTER:	-6dBFS
REAR CENTER:	-3dBFS
FL/FR:	-6dBFS
RL/RR:	-12dBFS
SWFR:	Add L/R signal at -20dBFS.

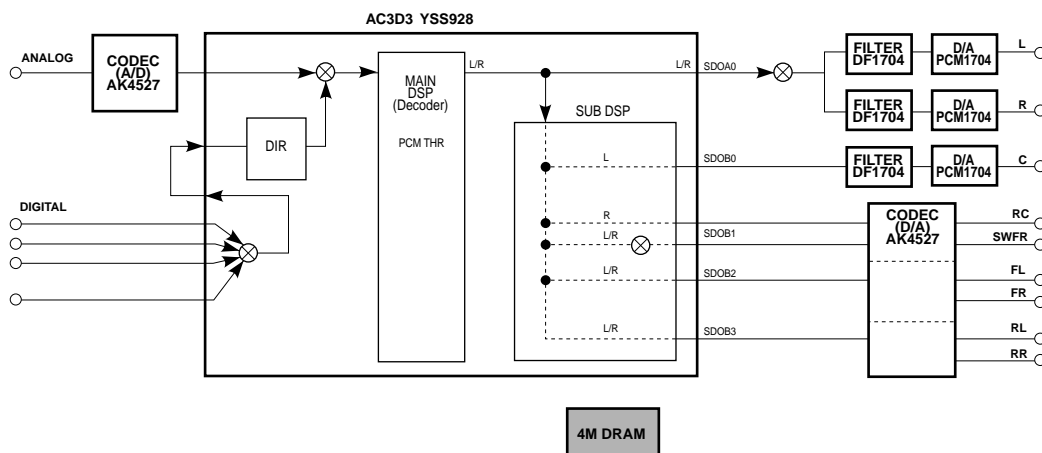
Reference (PRE OUT)

INPUT : DVD ANALOG

SWFR: 50Hz, Others: 1kHz

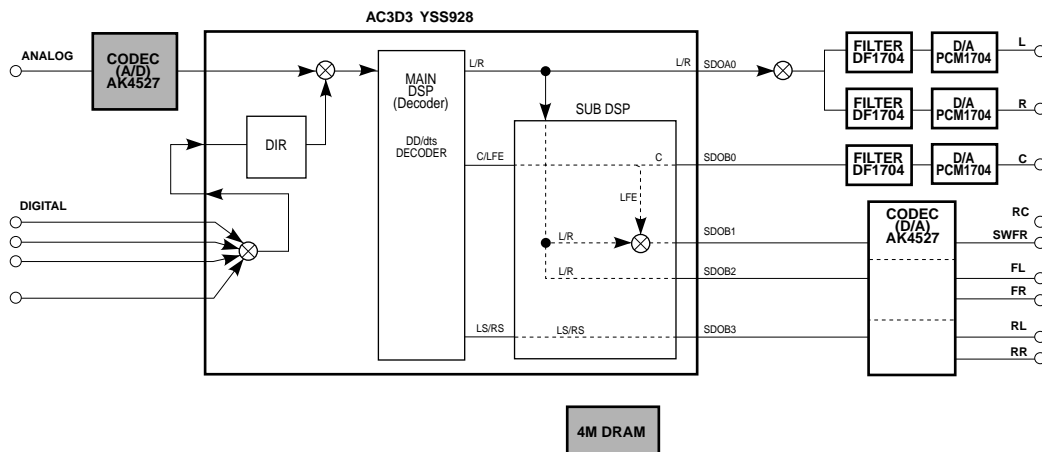
Condition	MAIN L/R	CENTER	REAR C	SWFR	REAR L/R	FRONT L/R
Both ch, -20 dBV, volume 0dB	-3.5 dBV	-3.5 dBV	-3.5 dBV	+8.5 dBV	-3.5 dBV	-3.5 dBV

(In the case of 2-ch source)



(In the case of multi-ch source)

- AC3D3 outputs signals using DOLBY DIGITAL/dts decode operation.



Note: (SDOxx) represents a terminal name of AC3D3.

The shaded square () means that the element included in it does not operate.

1. DSP THROUGH
FULL BIT

FULL BIT [Remote control code: 7A—92 (PRG11)]

- The head margin is unused and the digital data is output in full bit.
- The same applies as “DSP 0dB” except that the digital data is output in full bit at D/A but SWFR is not output in full bit.

Reference (PRE OUT)

INPUT : DVD ANALOG

SWFR: 50Hz, Others: 1kHz

Condition	MAIN L/R	CENTER	REAR C	SWFR	REAR L/R	FRONT L/R
Both ch, -20 dBV, volume -10dB	-13.5 dBV	-7.5 dBV	-10.5 dBV	-1.5 dBV	-1.5 dBV	-7.5 dBV

2. HP ROUTE (Headphone route)

There are two sub-menu items (0dB, FULL BIT).

2. HP ROUTE
0dB

0dB [Remote control code: 7A—93 (PRG12)]

- The input signal is automatically identified and switched in the priority order of dts → DOLBY DIGITAL → PCM AUDIO → Analog (A/D) according to the signal detection.
 - L/R, C/RC, FL/FR, RL/RR and SWFR signals are output through DSP (see the signal path in the figure below) without using the external DRAM.
- (The SDOB output is inputted to DAC of MAIN L/R. Other than that, everything is the same as DSP THROUGH.)

Head margin

- MAIN L/R: -18dBFS
- CENTER: -6dBFS
- REAR CENTER: -3dBFS
- FL/FR: -6dBFS
- RL/RR: -18dBFS
- SWFR: Add L/R signal at -20dBFS.

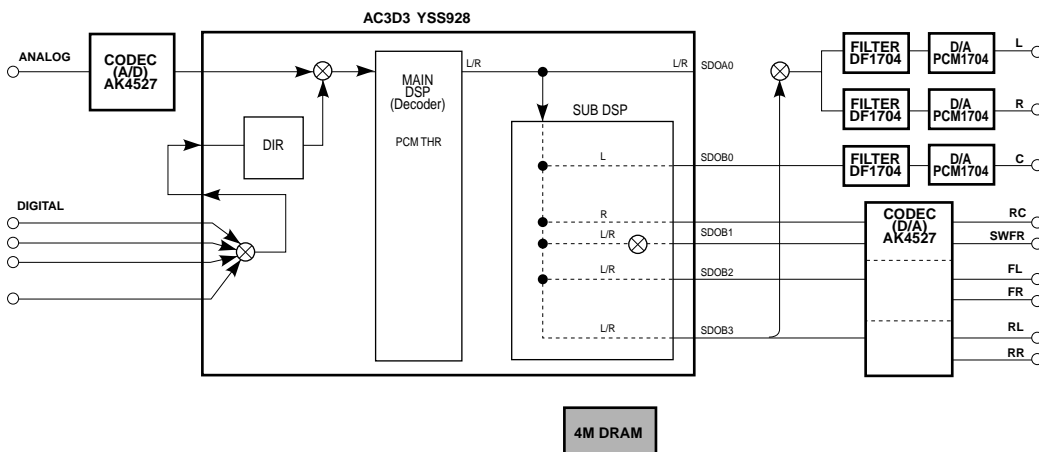
Reference (PRE OUT)

INPUT : DVD ANALOG

SWFR: 50Hz, Others: 1kHz

Condition	MAIN L/R	CENTER	REAR C	SWFR	REAR L/R	FRONT L/R
Both ch, -20 dBV, volume 0dB	-3.5 dBV	-∞ dBV	-∞ dBV	-∞ dBV	-∞ dBV	-∞ dBV

(In the case of 2-ch source)

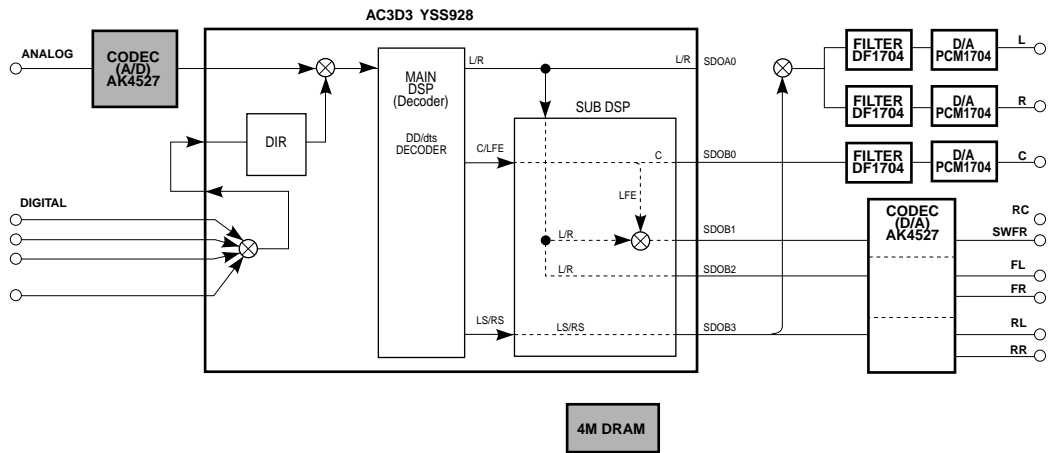


Note: (SDOxx) represents a terminal name of AC3D3.

The shaded square () means that the element included in it does not operate.

(In the case of multi-ch source)

- AC3D3 outputs signals using DOLBY DIGITAL/dts decode operation.



Note: (SDOxx) represents a terminal name of AC3D3.
The shaded square () means that the element included in it does not operate.

**2. HP ROUTE
FULL BIT**

FULL BIT [Remote control code: 7A—10 (TUNER PRESET +)]

- The head margin is unused and the digital data is output in full bit.
- The same applies as "0dB" except that the digital data is output in full bit at D/A but SWFR is not output in full bit.

Reference (PRE OUT)

INPUT : DVD ANALOG

SWFR: 50Hz, Others: 1kHz

Condition	MAIN L/R	CENTER	REAR C	SWFR	REAR L/R	FRONT L/R
Both ch, -20 dBV, volume -20dB	-5.5 dBV	-∞ dBV	-∞ dBV	-∞ dBV	-∞ dBV	-∞ dBV

3. RAM THROUGH

The input data is automatically identified and switched in the priority order of dts → DOLBY DIGITAL → PCM AUDIO → Analog (A/D) according to the signal detection.

The main L/R uses the analog through method when analog signals are input and the DSP through method when digital signals are input.

C/RC, RL/RR and FL/FR signals are output through the external DRAM.

3. RAM THROUGH
0dB

0dB [Remote control code: 7A—11 (TUNER PRESET -)]

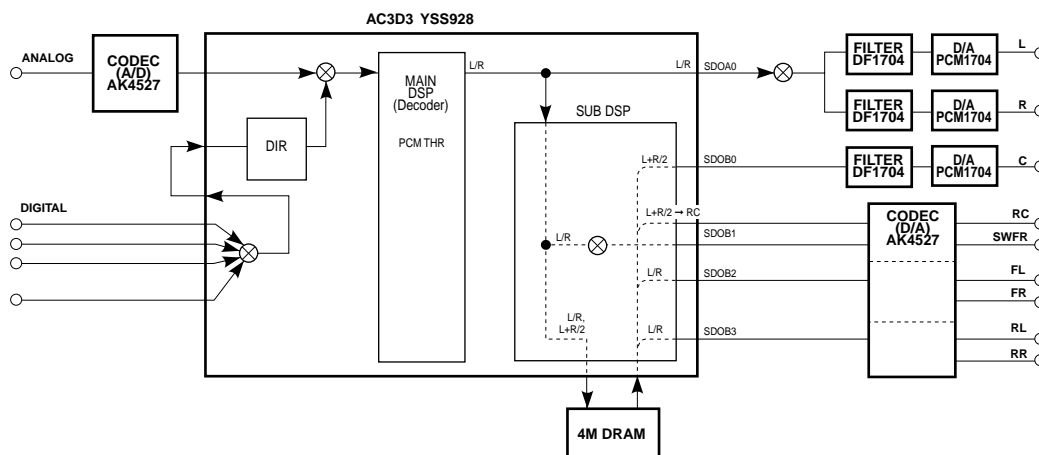
Reference (PRE OUT)

INPUT : DVD ANALOG

SWFR: 50Hz, Others: 1kHz

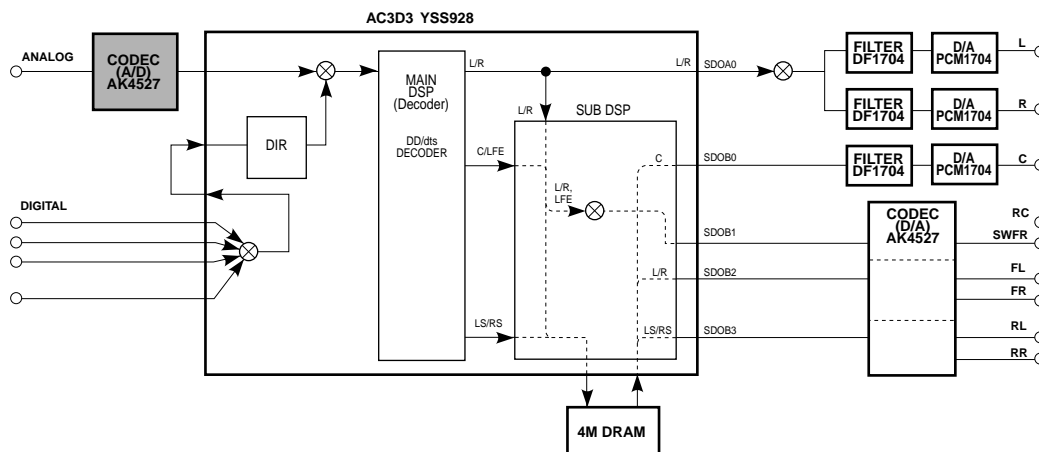
Condition	MAIN L/R	CENTER	REAR C	SWFR	REAR L/R	FRONT L/R
Both ch, -20 dBV, volume 0dB	-3.5 dBV	-3.5 dBV	-3.5 dBV	+8.5 dBV	-3.5 dBV	-3.5 dBV

(In the case of 2-ch source)



(In the case of multi-ch source)

- AC3D3 outputs signals using DOLBY DIGITAL/dts decode operation.



Note: (SDOxx) represents a terminal name of AC3D3.

The shaded square () means that the element included in it does not operate.

4. PRO LOGIC

The input signal is automatically identified and switched in the priority order of dts → DOLBY DIGITAL → PCM AUDIO → Analog (A/D) according to the signal detection.
The operation conforms to the ordinary DOLBY Normal sound field.

4. PRO LOGIC
YSS928

YSS928 [Remote control code: 7A—0C (CD FF)]

Reference (PRE OUT)

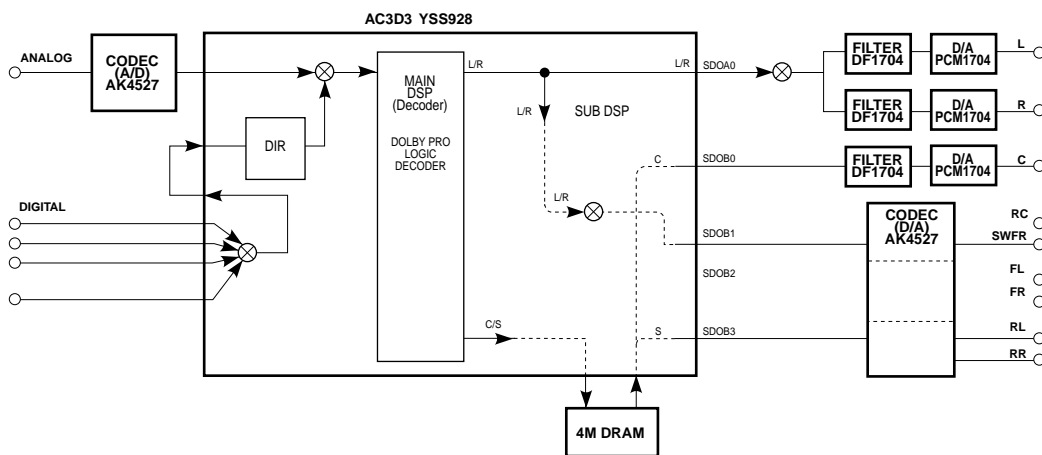
INPUT : DVD ANALOG

SWFR: 50Hz, Others: 1kHz

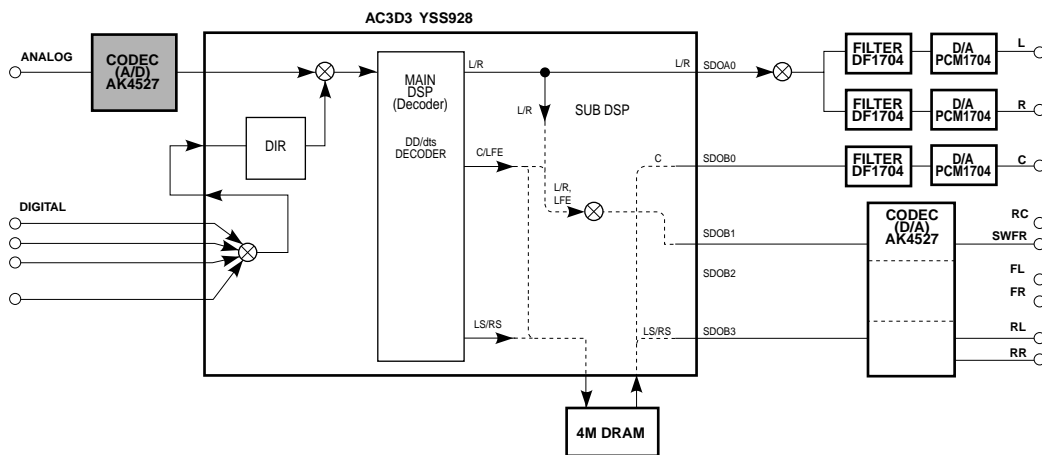
Condition	MAIN L/R	CENTER	REAR C	SWFR	REAR L/R	FRONT L/R
Each ch, -20 dBV, volume 0dB	-3.5 dBV	-∞ dBV	-∞ dBV	-∞ dBV	-∞ dBV	-∞ dBV
Both ch, -20 dBV, volume 0dB	-∞ dBV	-0.5 dBV	-∞ dBV	-∞ dBV	-∞ dBV	-∞ dBV
Both ch, -20 dBV(reverse phase), volume 0dB	-∞ dBV	-∞ dBV	-∞ dBV	-∞ dBV	-3.5 dBV	-∞ dBV

(2-ch source)

- AC3D3 outputs signals using PRO LOGIC decoding operation with the auto input balance off.



(DOLBY DIGITAL/dts Normal)



Note: (SDOxx) represents a terminal name of AC3D3.

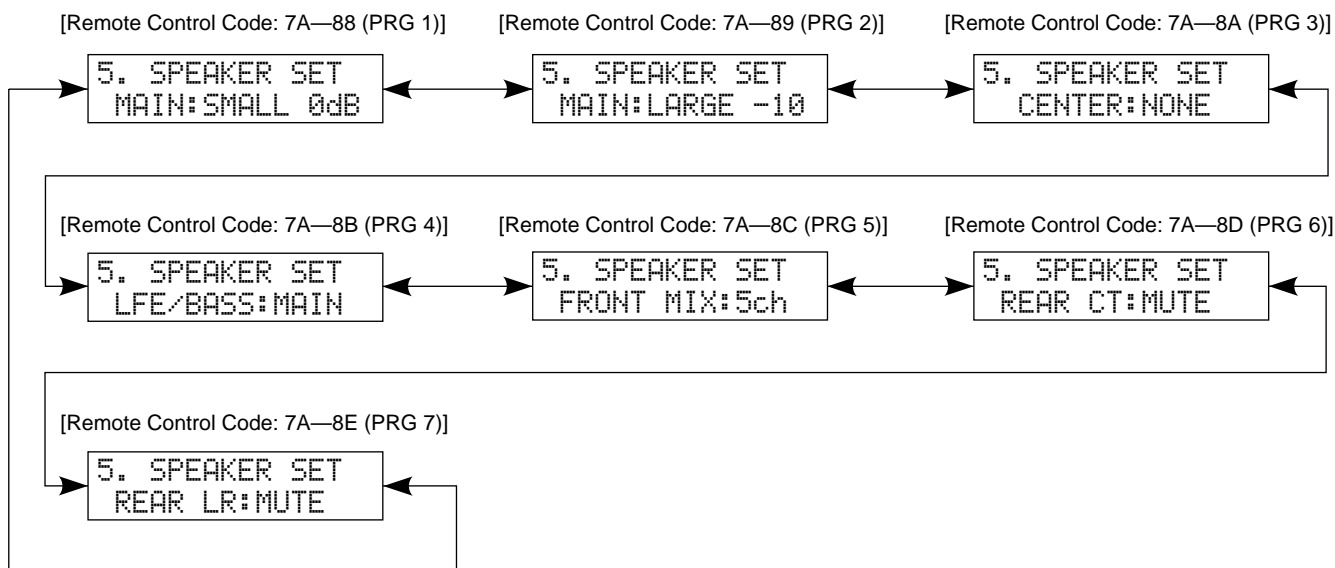
The shaded square () means that the element included in it does not operate.

5. SPEAKERS SET

The input signal is automatically identified and switched in the priority order of dts → DOLBY DIGITAL → PCM AUDIO → Analog (A/D) according to the signal detection.

There are seven sub-menu items.

The signals output from the DSP are the same as 1. DSP THROUGH: DSP 0dB.



The analog switch settings for each sub-menu are as shown in the table below.

	Sub-menu	CENTER	REAR	MAIN SP	MAIN LVL	LFE/BASS	FRONT MIX
1	MAIN : SMALL 0dB	LARGE	LARGE	SMALL	0dB	SWFR	7ch
2	MAIN : LARGE -10	LARGE	LARGE	LARGE	-10dB	BOTH	7ch
3	CENTER : NONE	NONE	LARGE	LARGE	0dB	BOTH	7ch
4	LFE/BASS : MAIN	SMALL	SMALL	LARGE	0dB	MAIN	7ch
5	FRONT MIX : 5ch	LARGE	LARGE	LARGE	0dB	BOTH	5ch
6	REAR CENTER : MUTE	LARGE	LARGE	LARGE	0dB	BOTH	7ch
7	REAR L/R: MUTE	LARGE	LARGE	LARGE	0dB	BOTH	7ch

LARGE: Signals are output in all bandwidths.

SMALL: Signals exceeding 90Hz are cut in LPF.

NONE: The center contents are distributed to the MAIN L/R channels after -3dB.

Reference (PRE OUT)

INPUT : DVD ANALOG (Both ch)

VOLUME : 0 dB

	Sub-menu	Condition	MAIN L/R	CENTER	REAR C	SWFR	REAR L/R	FRONT L/R
1	MAIN : SMALL 0dB	1kHz/90Hz, -20 dBV	-3.5/-6.5dBV					
2	MAIN : LARGE -10	1kHz, -20 dBV	-3.5dBV	-3.5dBV	-3.5dBV	+8.5dB	-3.5dBV	-3.5dBV
3	CENTER : NONE	1kHz, -20 dBV	-6.5dBV	-∞ dBV	-3.5dBV	+8.5dB	-3.5dBV	-3.5dBV
4	LFE/BASS : MAIN	50Hz, -20 dBV	-2.0dBV	-6.5dBV(90Hz)	-3.5dBV	-∞ dBV	-6.5dBV(90Hz)	-3.5dBV
5	FRONT MIX : 5ch	1kHz, -20 dBV	-3.5dBV	-3.5dBV	-3.5dBV	+8.5dB	-3.5dBV	-3.5dBV
6	REAR CENTER : MUTE	1kHz, -20 dBV	-3.5dBV	-3.5dBV	-∞ dBV	+8.5dB	-3.5dBV	-3.5dBV
7	REAR L/R: MUTE	1kHz, -20 dBV	-3.5dBV	-3.5dBV	-3.5dBV	+8.5dB	-∞ dBV	-3.5dBV

6. DISPLAY CHK

This program is used to check lighting of the FL display which changes as shown below according to operation of the sub-menu.

The signals are processed using EFFECT OFF. (The L/R signals are output using ANALOG MAIN BYPASS setting.)

The video signal internal/external synchronization switching is controlled by the microprocessor. When the initial message is displayed and all the FL segments light up, it is switched to internal synchronization but other than that it is forced to the external synchronization setting.

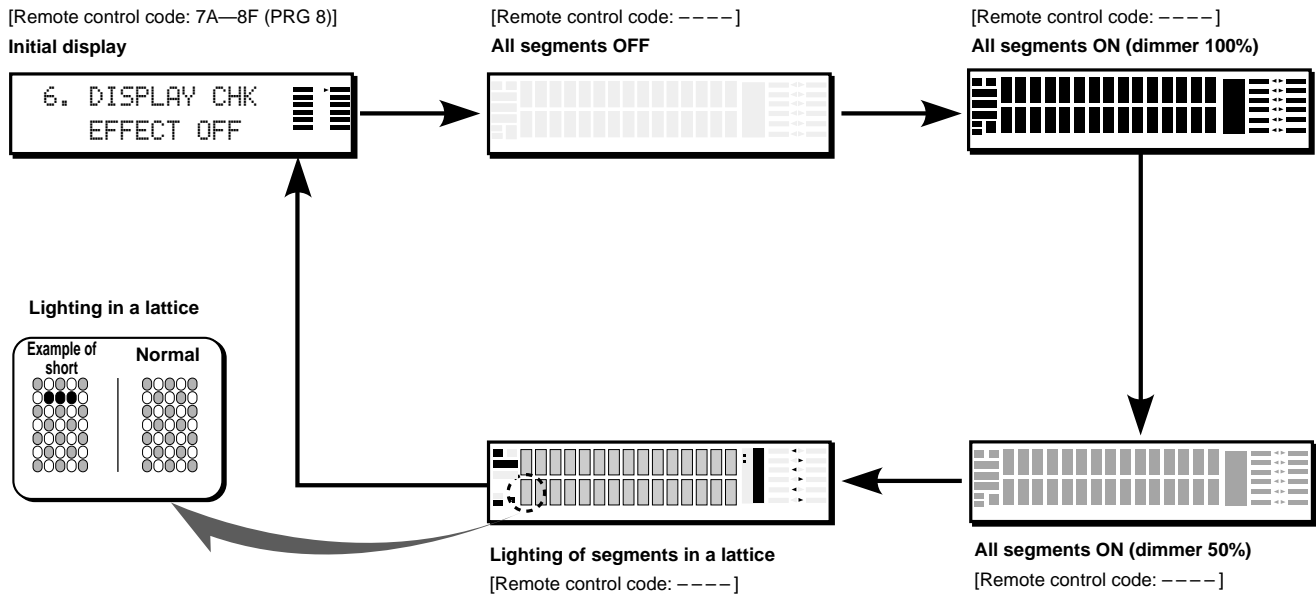
Also, except for the initial display, 128 pictographs for checking the OSD driver are used for the video signal output display (monitor screen).

Reference (PRE OUT)

INPUT : DVD ANALOG

SWFR: 50Hz, Others: 1kHz

Condition	MAIN L/R	CENTER	REAR C	SWFR	REAR L/R	FRONT L/R
Both ch, -20 dBV, volume 0dB	-3.5 dBV	-∞ dBV	-∞ dBV	-∞ dBV	-∞ dBV	-∞ dBV



Segment conditions of the FL driver (IC901, IC902) and the FL tube are checked by turning ON and OFF all segments. Next, the operation of the FL driver is checked by using the dimmer control. Then a short between segments next to each other is checked by turning ON and OFF all segments alternately (in a lattice). (In the above example, the segments in the second row from the top are shorted.)

7. MANUAL TEST

The test noise is output by the noise generator with a built-in DSP from the channels specified by the sub-menu. There are ten sub-menu items.

```
7. MANUAL TEST
  ALL
```

ALL [Remote control code: 7A—00 (TAPE PLAY)]

Noise is output from all channels.

MAIN L [Remote control code: 7A—01 (TAPE RW)]

Noise is output from the MAIN L channel.

CENTER [Remote control code: 7A—02 (TAPE FW)]

Noise is output from the CENTER channel.

MAIN R [Remote control code: 7A—03 (TAPE STOP)]

Noise is output from the MAIN R channel.

REAR R [Remote control code: 7A—04 (TAPE REC)]

Noise is output from the REAR R channel.

REAR C [Remote control code: 7A—05 (TAPE MUTE)]

Noise is output from the REAR CENTER channel.

REAR L [Remote control code: 7A—06 (TAPE A/B)]

Noise is output from the REAR L channel.

FRONT L [Remote control code: 7A—07 (TAPE DIR A)]

Noise is output from the FRONT L channel.

FRONT R [Remote control code: 7A—08 (CD PLAY)]

Noise is output from the FRONT R channel.

LFE [Remote control code: 7A—09 (CD STOP)]

Noise is output from the LFE (sub-woofer) channel.

8. RS-232C

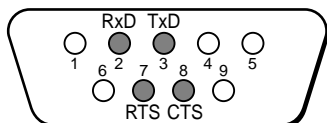
This menu is used to check transmission of the data and the flow port of the hardware.

With the power turned off, short between pins No.2 (RxD) and No.3 (TxD) and between pins No.7 (RTS) and No.8 (CTS) of the RS-232C terminal. (Be sure to turn off the power when shorting pins.)

Start DIAG and select the menu.

There are two sub-menu items.

The signals are processed using EFFECT OFF. (The L/R signals are output using ANALOG MAIN BYPASS setting.)



```
8. RS-232C
  TxD/RxD DATA:XX
```

TxD/RxD DATA [Remote control code: ----]

This sub-menu is used to check transmission of the test data. "OK" appears when the data is transmitted properly and "NG" when it is not.

In this mode, NULL command transmission is continued after the test command is transmitted.

```
8. RS-232C
  HARD FLOW :XX
```

HARD FLOW [Remote control code: ----]

This sub-menu is used to check operation of the flow port of the hardware. "OK" appears when the check result is satisfactory and "NG" when it is not.

9. PRESET

This menu reserves and inhibits initialization of the back-up RAM (parameter, set menu contents, etc. for the sound field program).

The signals are processed using EFFECT OFF. (The L/R signals are output using ANALOG MAIN BYPASS setting.)

9. PRESET
INHIBITED

INHIBIT (Initialization inhibited) [Remote control code: ----]
RAM initialization is not executed. Select INHIBIT to protect the values set by the user.

9. PRESET
RESERVED

RESERVED (Initialization reserved) [Remote control code: 7A—57 (SLEEP)]
Initialization of the back-up RAM is reserved. RESERVED should be selected when shipping out of the factory or resetting RAM. Protection history is also cleared.

* In order to ensure that back-up RAM be initialized without fail, turn off the power and then on by pressing the POWER (STANDBY/ON) key after selecting RESERVED. Initialization is executed at this point.

CAUTION : Before setting to the PRESET RESERVED, write down the existing preset memory content of the Tuner in a table as shown below. (This is because setting to the PRESET RESERVED will cause the user memory content to be erased.)

Preset group	P1	P2	P3	P4	P5	P6	P7	P8
A								
B								
C								
D								
E								

● PRESET STATIONS

STATION		FM FACTORY PRESET DATA (MHz)			STATION		AM FACTORY PRESET DATA (kHz)		
PAGE	NO.	U, C, R, T	R, T, L, G, A	J	PAGE	NO.	U, C, R, T	R, T, L, G, A, J	
A/C/E	1	87.5	87.5	76.0	B/D	1	630	630	
	2	90.1	90.1	83.0		2	1080	1080	
	3	95.1	95.1	84.0		3	1440	1440	
	4	98.1	98.1	86.0		4	530	531	
	5	107.9	108.0	90.0		5	1710	1611	
	6	88.1	88.1	78.0		6	900	900	
	7	106.1	106.1	88.0		7	1350	1350	
	8	107.9	108.0	82.1		8	1400	1404	

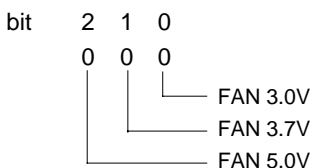
10. FAN/AD

The sub-menu of this menu displays the A/D conversion value of the CPU (function circuit board IC526) which detects the keys and protection functions of the main unit in %. (reference voltage 5V: 100%) It also displays the history of the fan being driven. When in KY0/KY1/RECOUT page, it is not possible to operate the keys of the main unit because the values of all keys are detected. But one click on the VOLUME of the main unit will cancel this function and sets to the next sub-menu. If this has occurred, restore the DIAG menu being used for testing. The signal processing state remains the same as that before executing this menu.

```
10. FAN/AD
FAN HISTORY:000
```

FAN HISTORY (History of fan being driven) [Remote control code: ----]

The voltage value detected from the temperature detect circuit is read by the A/D function of the microprocessor as a data. Based on that temperature data, the fan driving speed is controlled in 3 stages. How the fan has been driven is displayed as the history.



* Selecting "RESERVED" for DIAG menu No.9 will clear the history.

When there is a history of the fan operation: 1

```
KY0 KY1 RECOUT
100 100 060
```

KY0/KY1/RECOUT (Detection of key scan/REC OUT)[Remote control code: ----]

KY0/KY1: Panel key of the main unit (10% step)
 • When the standard value is deviated by $\pm 4\%$, KEY A/D fails to function properly. In this case, check the circuit voltages, soldering condition, etc.

RECOUT: Indicates selected REC OUT position

Indicate	KY0
0	INPUT >
10	INPUT <
20	INPUT MODE
30	DIAG(*1)
40	6CH INPUT
50	EFFECT
60	SPEAKERS A
70	SPEAKERS B
80	PROC. DIRECT
90	BASS EXTENS.
100	KEY OFF state

Indicate	KY1
0	DSP PROG.
10	PRESET/TUN.
20	FM/AM
30	MEMORY
40	TUNING MODE
50	PTY START
60	PTY MODE
70	RDS EON
80	RDS MODE
90	-
100	KEY OFF state

Indicate	REC OUT
0	MD/TAPE
15	SAT
30	CD
44	V-AUX
60	SOURCE
76	CABLE
92	PHONO
122	CD-R
137	VCR 1
153	TUNER
170	VCR 2/DVR
186	DVD
202	D-TV/LD

(*1) : "EFFECT" and "6CH INPUT" keys pressed simultaneously

(AD conversion value 100%: 255)

```
THM PRD PRV
028 006 009
```

THM/PRD/PRV [Remote control code: 7A—0B (CD SKIP —)]

(Detection of the temperature of the heat sink and protection function)

The above figures are examples for reference.

THM: Detection of the temperature of the heat sink (Normal value: 6~40) 0.3V~ 2.0V (reference voltage)
 At 5% or less, the protection function works to turn off the power. At more than 40%, possibility is that there is an error in the temperature detection system.

PRD: Protection value for DC detection (Normal value: 1~13) 0.05V~ 0.65V (reference voltage)
 When the value is out of the normal value range, the protection function works to turn off the power.

PRV: Protection value for power voltage (Normal value: 5~15) 0.25V~ 0.75V (reference voltage)
 When the value is out of the normal value range, the protection function works to turn off the power.

11. IF STATUS (Input function status)

Using this menu, the status data is displayed in the hexadecimal notation one after another.

During signal processing, the status before execution of this menu is maintained.

To convert the analog input to the digital input, use the following procedure.

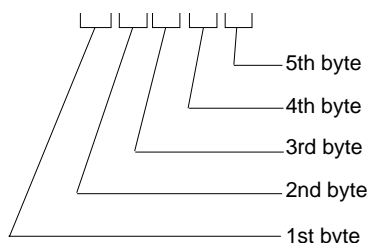
- 1) Select either DIAG menu No.3 or No.4 and enter a digital signal.
- 2) Menu No.11 can be selected by pressing the INPUT MODE key of the main unit. (The input mode will be fixed to the digital mode.)

There are 17 sub-menu items.

The following status information is displayed in the hexadecimal notation according to the sub-menu operation.

```
11. IF STATUS
IFST:4403070500
```

IFST: Indicates the information of the microprocessor.



1st byte

Indicates the digital selector position information.

(Upper 4 bits REC OUT selected / lower 4 bits INPUT selected)

Indicate	Selector Position
0	NONE
1	FRONT (VIDEO AUX)
2	OPT1 (CD)
3	OPT2 (CD-R)
4	OPT3 (DVD)
5	OPT4 (D-TV/LD)
6	OPT5 (SAT)
7	OPT6 (-)
8	COAX1 (CD)
9	COAX2 (CABLE)
A	COAX4 (-)
B	COAX5 (-)
C	COAX3 (LD <input type="checkbox"/> RF) R, T, L only
D	RF
E	NONE
F	NONE

3rd byte

Indicates the audio code mode information of the reproduction signals.

Indicate	Audio Code
00	1 + 1
01	1/0
02	2/0
03	3/0
04	2/1
05	3/1
06	2/2
07	3/2
08	2/3
09	3/3
0A	dts7.1
0B	Undefined

2nd byte

Indicates the Fs information of the reproduction signals.

Indicate	Fs (kHz)
00	Analog
01	32
02	44.1
03	48
04	64
05	88.2
06	96
07	Unknown NRM (*1)
08	Unknown DBL (*2)
09	Undefined

(*1): Unknown (format) sample frequency lower than 48kHz.

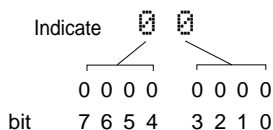
(*2): Unknown sample frequency exceeding 48kHz.

4th byte

Indicates the format information of the reproduction signals.

Indicate	Format
00	Analog (Unlock)
01	Wrong digital (*1)
02	Digital Data
03	IEC1937 Data
04	PCM Audio
05	Dolby Digital
06	D.D. Karaoke
07	D.D. EX
08	RED dts
09	ORANGE dts
0A	dts ES
0B	NONE PCM

(*1): Digital reproduction cannot be used due to a commercial bit or 4ch audio reason. Analog reproduction is used instead.



Indicate	bit			
	7	6	5	4
0	0	0	0	0
1	0	0	0	1
2	0	0	1	0
3	0	0	1	1
4	0	1	0	0
5	0	1	0	1
6	0	1	1	0
7	0	1	1	1
8	1	0	0	0
9	1	0	0	1
A	1	0	1	0
B	1	0	1	1
C	1	1	0	0
D	1	1	0	1
E	1	1	1	0
F	1	1	1	1

Indicate	bit			
	3	2	1	0
0	0	0	0	0
1	0	0	0	1
2	0	0	1	0
3	0	0	1	1
4	0	1	0	0
5	0	1	0	1
6	0	1	1	0
7	0	1	1	1
8	1	0	0	0
9	1	0	0	1
A	1	0	1	0
B	1	0	1	1
C	1	1	0	0
D	1	1	0	1
E	1	1	1	0
F	1	1	1	1

5th byte

Indicates the information on the signal processing status.

bit7	MUTE requested
bit6	dts flashing (Red)
bit5	EX sound field being processed
bit4	Full mute (On: 1)
bit3	-
bit2	THROUGH & BYPASS (*2)
bit1	-
bit0	dts analog mute

(*2): In the case of digital signals other than 32kHz, 44.1kHz and 48kHz, through processing is used for reproducible signals.

CHS 1 – 4: IEC60958 channel status information of input signals

11. IF STATUS CHS1:02990000200	-----	11. IF STATUS CHS5:00000000000
-----------------------------------	-------	-----------------------------------

BSI 1 – 4: Bit stream information included in the DOLBY DIGITAL signal indicated one by one.

11. IF STATUS BSI1:00000000000	-----	11. IF STATUS BSI4:00000000000
-----------------------------------	-------	-----------------------------------

BDS 1 – 4: Bit stream information included in the dts signal indicated one by one.

11. IF STATUS BDS1:FFFFFFFFF	-----	11. IF STATUS BDS4:FFFFFFFFF
---------------------------------	-------	---------------------------------

YSS 1 – 3: Device status information of YSS928 (IC501)

* The numeric values in each example are for reference.

11. IF STATUS YSS1:FE0218070F	11. IF STATUS YSS2:0101418000	11. IF STATUS YSS3:1A41803D
----------------------------------	----------------------------------	--------------------------------

Byte No.	Function
1	YSS MUTE Reg
2	YSS MODE Reg
3	YSS IPORT BIT 7 – 0
4	YSS IPORT BIT 14 – 8
5	YSS OPORT

Byet No.	Function
1	IEC1937 Preamble Pc
2	AC-3 Data Stream No
3	AC-3D Decode Status
4	YSS ZERO Reg
5	MIREG

Byte No.	Function
1	DIR Status
2	DIR fs
3	DIR fs count
4	YSS ZEROBF

12. DSP RAM CHECK [Remote control code: 7A—0A (CD SKIP +)]

This menu is used to self-diagnose whether or not YSS928 (IC501 of DSP circuit board) and external RAM (IC502 of DSP circuit board) are connected properly.

During signal processing, the status before execution of this menu is maintained.

```
12.DSP RAM CHK
NoEr
```

Checks the address bus and the data bus, and indicates the connection condition.

“NoEr” appears when no error is detected.

Indicate	Function
WAIT	Bus being checked
NoEr	No error detected
DATA	Short or open of data bus
ADDR	Short or open of address bus

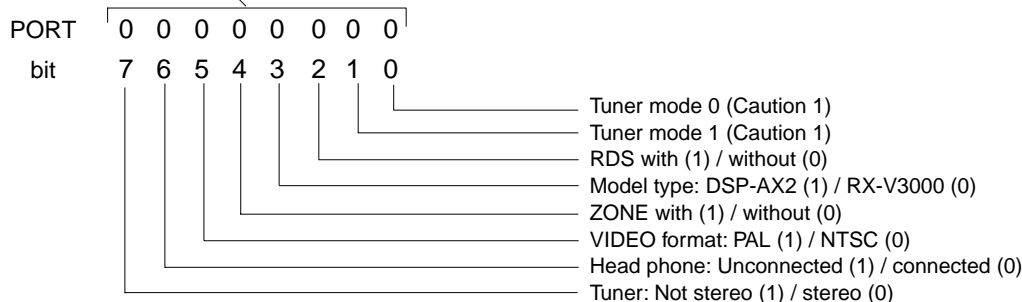
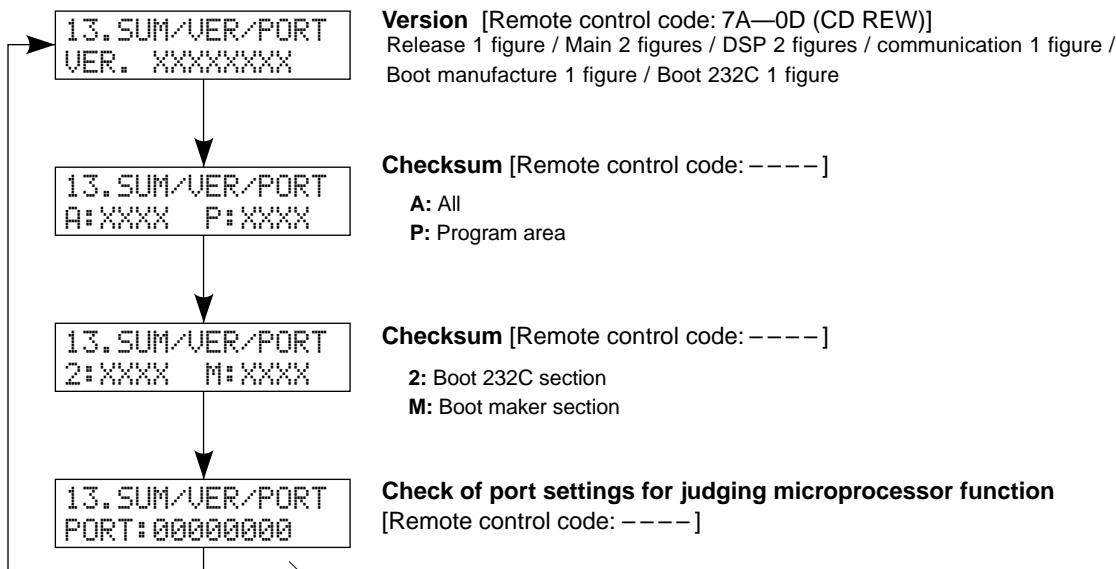
13. SUM/VER /PORT

There are four sub-menu items.

Indicates the program version, checksum, specified port of the microprocessor (IC526 of the function circuit board).

The checksum is obtained by adding data for every 16 bits for each program area and expressing the result as a 4-figure hexadecimal data.

The signals are processed using EFFECT OFF. (The L/R signals are output using ANALOG MAIN BYPASS setting.)



(Caution 1)

Tuner mode 0	Tuner mode 1	Tuner frequency
0	0	AM : 531-1611kHz/9kHz FM : 76.0-90.0MHz/100kHz (J)
0	1	AM : 531-1611kHz/9kHz FM : 87.5-108.0MHz/50kHz (A, L, B, G)
1	0	AM : 530-1710kHz/10kHz FM : 87.5-107.9MHz/200kHz (U, C)
1	1	As set by FREQUENCY STEP switch (R, T)

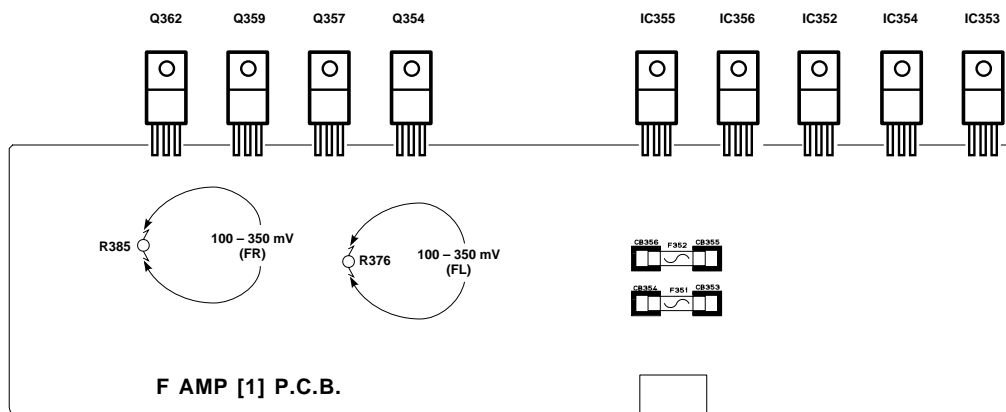
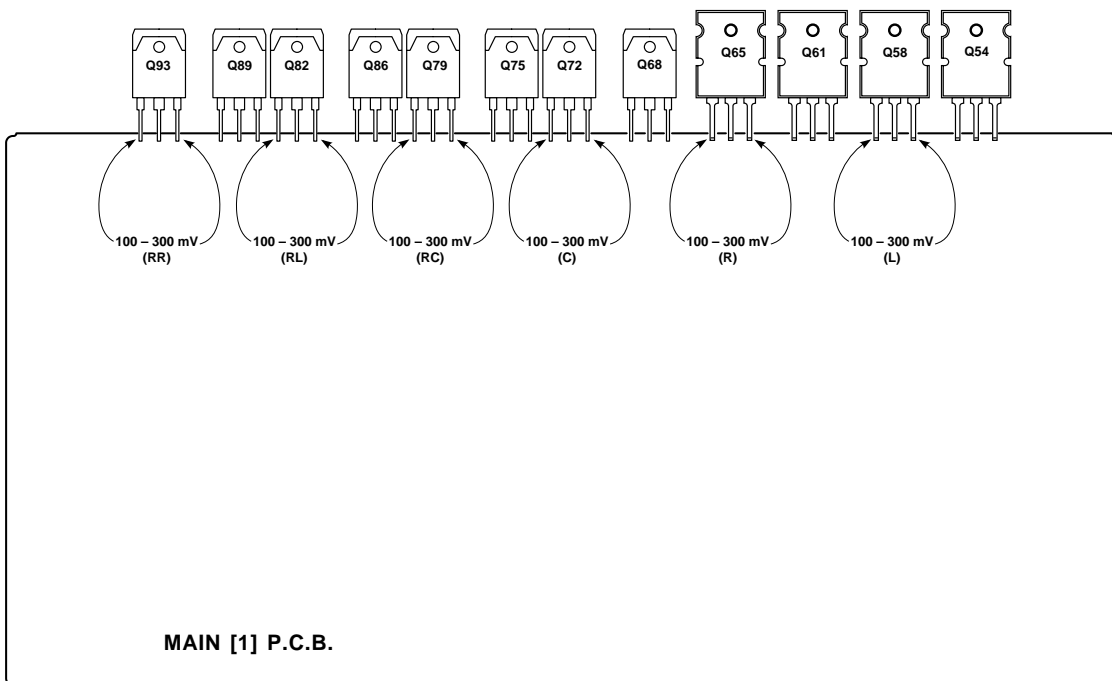
AMP CHECK

Confirmation of Idling Current

- 1) No signal applied.
- 2) Non-loaded condition.
- 3) Aging is 10 minutes

Item	Test Point	Rating (DC)
MAIN L	Q58 Base – Emitter (MAIN [1] P.C.B.)	100mV~300mV
MAIN R	Q65 Base – Emitter (MAIN [1] P.C.B.)	
CENTER	Q72 Base – Emitter (MAIN [1] P.C.B.)	
REAR CT	Q79 Base – Emitter (MAIN [1] P.C.B.)	
REAR L	Q86 Base – Emitter (MAIN [1] P.C.B.)	
REAR R	Q93 Base – Emitter (MAIN [1] P.C.B.)	
FRONT L	Both ends of R376 (F AMP [1] P.C.B.)	100mV~350mV
FRONT R	Both ends of R385 (F AMP [1] P.C.B.)	

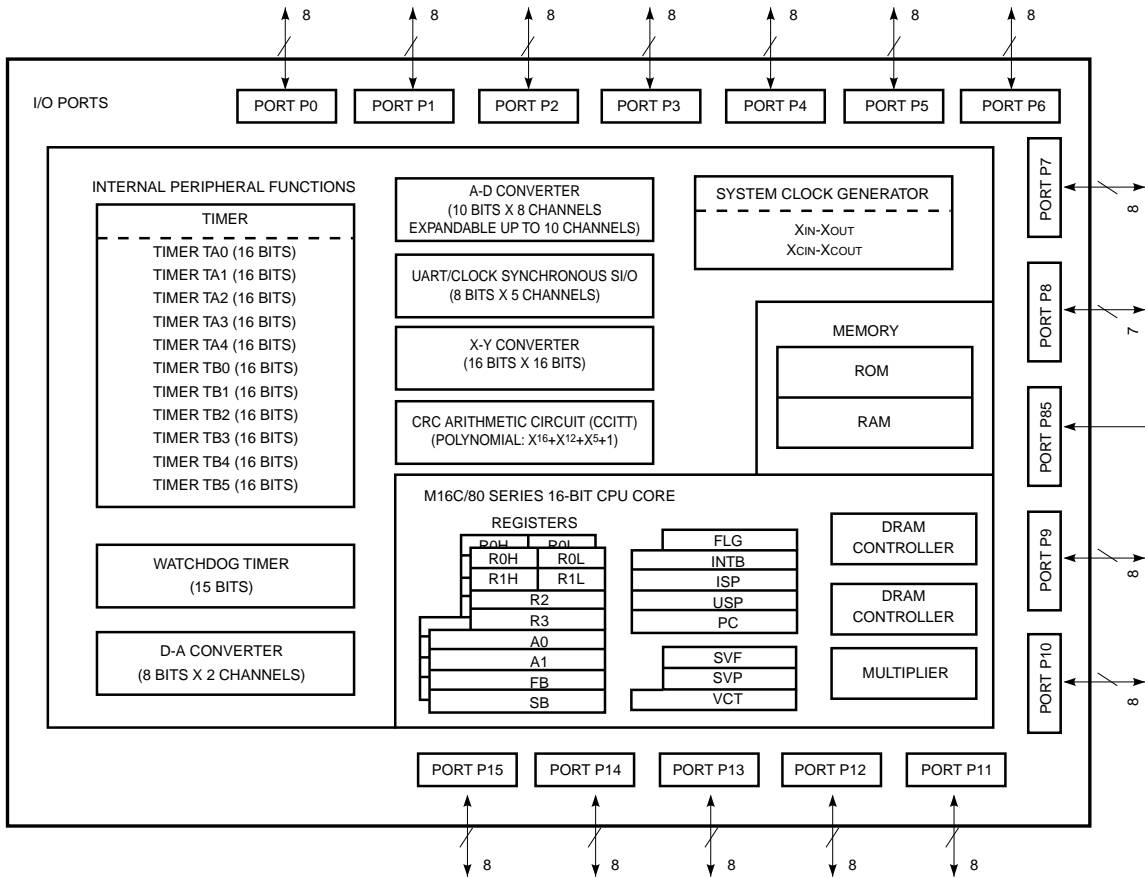
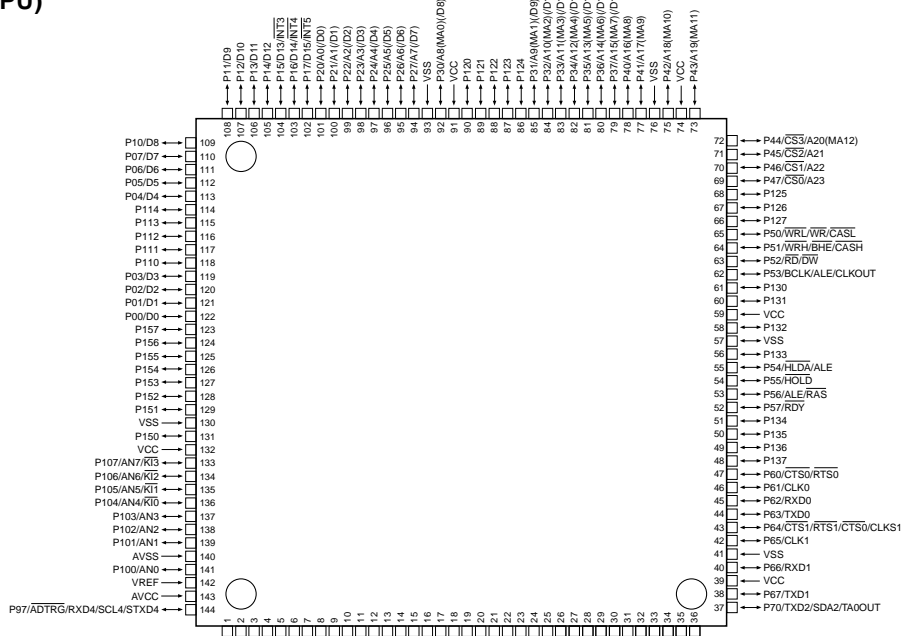
Test Point



IC DATA

IC526 : M30802SGP (FUNCTION P.C.B.)

16 bit μ -COM (CPU)



IC526 : M3080SGP (FUNCTION P.C.B.)

16 bit μ -COM (CPU)

No.	PORT	Name	Function	Power On	Power Off	Backup
1	TXD4	TXDR	232C Transmission Data	O	OL	OL
2	P95	RTS	232C RTS out	I/O	OL	OL
3	CTS4	CTS	232C CTS input	I	I	OL
4	DA0	FAN	Fan Control	I	I	OL
5	P92	SDTN	SDT for Non Audio	SO	OL	OL
6	P91	RXRDS	RDS Reception/Frequency Switch (Note 1)	SI	I	OL
7	P90	SCKN	SCK for Non Audio	SCK	OL	OL
8	P146	I/E	Internal/External Synchronous output	O	OL	OL
9	P145	CEB	CE for BU2092/ZONE2 function (0: Not, 1: Exist)	O	OL	OL
10	P144	/FLR	FL IC Reset	O	OL	OL
11	P143	CEM0	CE for FL1	O	OL	OL
12	P142	CEM1	CE for FL2	O	OL	OL
13	P141	RDSE	CE for RDS/RDS function (0: Not, 1: Exist)	O	OL	OL
14	P140	CES	CE for On Screen/Video format (0: NTSC, 1: PAL)	O	OL	OL
15	BYTE	BYTE	External data bus width select input (16bit width: VSS)	VSS	VSS	VSS
16	CNVSS	CNVSS	Microprocessor mode select input (Microprocessor mode: VCC)	VCC	VCC	VCC
17	P87	MODEL	Model detect (0 : RX-V3000, 1 : DSP-AX2)	I	I	OL
18	P86	BOOT	232C Boot terminal (Not used)	I	I	OL
19	RESET	/RES	Reset input	---	---	---
20	XOUT	XO	Clock output	---	---	---
21	VSS	VSS	Ground	---	---	---
22	XIN	XI	Clock input	---	---	---
23	VCC	VCC	+ 5V	---	---	---
24	NMI	NMI	Not used (pull-up VCC)	---	---	---
25	INT2	REM	Remote in (Low Edge : Interrupt)	I	I	OL
26	INT1	PSW	Power Switch (High Edge : Interrupt)	I	I	OL
27	INT0	PDT	Power Detect (Low Edge : Interrupt)	I	I	I
28	P81	VSX	Video Vertical Sync	I	I	OL
29	P80	/ICD	IC for YSS928/DA/DF/CODEC/DEM	O	OL	OL
30	P77	RXDR	232C Reception Data (Connection pin 144)	I	I	OL
31	P76	DMT	Digital Full Mute	O	OL	OL
32	P75	INT928	YSS928 IPINT/MUTE/DIR	I	I	OL
33	P74		Unconnected	O	OL	OL
34	P73	CEP	CE for Tuner PLL IC	O	OL	OL
35	P72	SCKP	SCK for Tuner PLL IC	O	OL	OL
36	P71	RDTP	Reception Data for Tuner PLL IC	I	I	OL
37	P70	SDTP	Transmission Data for Tuner PLL IC	O	OL	OL
38	P67	SDM	Transmission Data for YSS928	SO	OL	OL
39	VCC	VCC	+ 5V	---	---	---
40	P66	SDD	Reception Data for YSS928	SI	I	OL
41	VSS	VSS	Ground	---	---	---
42	P65	SCK	CLK for YSS928	SCK	OL	OL
43	P64	CSY	CE for YSS928	O	OL	OL
44	P63	DTC	SDT for CS3310	SO	OL	OL
45	P62	CEC	CE for CS3310	O	OL	OL
46	P61	CKC	SCK for CS3310	SCK	OL	OL
47	P60	CSV	Power control for CS3310	O	OL	OL
48	P137	/CSM	Reset for CS3310	O	OL	OL
49	P136	VRB	Volume Rotary B	I	I	OL
50	P135	VRA	Volume Rotary A	I	I	OL
51	P134	PRI	I Protection	I	I	I
52	/RDY	/RDY	While the input level of the RDY pin is "L", the microcomputer is in the ready state	---	---	HI
53	ALE	ALE	Unconnected	---	---	HI
54	/HOLD	/HOLD	While the input level at the HOLD pin is "L", the microcomputer is placed in the hold state	---	---	HI
55	/HLDA	HLDA	Unconnected	---	---	HI

IC526 : M30802SGP (FUNCTION P.C.B.)

16 bit μ -COM (CPU)

No.	PORT	Name	Function	Power On	Power Off	Backup
56	P133	/BEC	Bass Extension Control	O	OL	OL
57	VSS	VSS	Ground	---	---	---
58	P132	/Z2MT	ZONE2 Mute	O	OL	OL
59	VCC	VCC	+ 5V	---	---	---
60	P131	/HPMT	Head Phone Mute	O	OL	OL
61	P130	/FMTF	Full Mute (FL/FR)	O	OL	OL
62	BCLK	BCLK	Unconnected	---	---	HI
63	/RD	/RD	OE for Flash Memory	---	---	HI
64	/BHE	BHE	Unconnected	---	---	HI
65	/WR	/WR	WE for Flash Memory	---	---	HI
66	P127	/FMST	Full Mute (SWL/SWR/SW MONO)	O	OL	OL
67	P126	/FMTC	Full Mute (CENTER)	O	OL	OL
68	P125	/FMTC	Full Mute (L/R/RL/RC/RR)	O	OL	OL
69	/CS0	CS0	CE for Flash Memory	---	---	---
70	/CS1	CS1	Unconnected	---	---	---
71	/CS2	CS2	Unconnected	---	---	---
72	/CS3	CS3	Unconnected	---	---	---
73	A19	A19	Unconnected	---	---	---
74	VCC	VCC	+ 5V	---	---	---
75	A18	A18	Address bus	---	---	---
76	VSS	VSS	Ground	---	---	---
77	A17	A17	Address bus	---	---	---
78	A16	A16	Address bus	---	---	---
79	A15	A15	Address bus	---	---	---
80	A14	A14	Address bus	---	---	---
81	A13	A13	Address bus	---	---	---
82	A12	A12	Address bus	---	---	---
83	A11	A11	Address bus	---	---	---
84	A10	A10	Address bus	---	---	---
85	A9	A9	Address bus	---	---	---
86	P124	SCKA	SCK for Audio IC	O	OL	OL
87	P123	SDTA	SDT for Audio IC	O	OL	OL
88	P122	CEL	CE for Audio IC (Sanyo)	O	OL	OL
89	P121	LD	Power limiter A	O	OL	OL
90	P120		Unconnected	O	OL	OL
91	VCC	VCC	+ 5V	---	---	---
92	A8	A8	Address bus	---	---	---
93	VSS	VSS	Ground	---	---	---
94	A7	A7	Address bus	---	---	---
95	A6	A6	Address bus	---	---	---
96	A5	A5	Address bus	---	---	---
97	A4	A4	Address bus	---	---	---
98	A3	A3	Address bus	---	---	---
99	A2	A2	Address bus	---	---	---
100	A1	A1	Address bus	---	---	---
101	A0	A0	Unconnected	---	---	---
102	D15	D15	Data bus	---	---	---
103	D14	D14	Data bus	---	---	---
104	D13	D13	Data bus	---	---	---
105	D12	D12	Data bus	---	---	---
106	D11	D11	Data bus	---	---	---
107	D10	D10	Data bus	---	---	---
108	D9	D9	Data bus	---	---	---
109	D8	D8	Data bus	---	---	---
110	D7	D7	Data bus	---	---	---

IC526 : M30802SGP (FUNCTION P.C.B.)

16 bit μ -COM (CPU)

No.	PORT	Name	Function	Power On	Power Off	Backup
111	D6	D6	Data bus	---	---	---
112	D5	D5	Data bus	---	---	---
113	D4	D4	Data bus	---	---	---
114	P114	/MLV	Main Level Select (0/-10dB)	O	OL	OL
115	P113	PRY	Power Relay	O	OL	OL
116	P112	SPE	Speaker Relay Effect	O	OL	OL
117	P111	SPB	Speaker Relay Main B	O	OL	OL
118	P110	SPA	Speaker Relay Main A	O	OL	OL
119	D3	D3	Data bus	---	---	---
120	D2	D2	Data bus	---	---	---
121	D1	D1	Data bus	---	---	---
122	D0	D0	Data bus	---	---	---
123	P157	TUN0	Tuner Mode 0 (Note 2)	I	I	OL
124	P156	TUN1	Tuner Mode 1 (Note 2)	I	I	OL
125	P155	PRB/D	DSP PROGRAM Selector B	I	I	OL
126	P154	PRA/B	DSP PROGRAM Selector A	I	I	OL
127	P153	/HPI	Head Phone Detect	I	I	OL
128	P152	/TMT	Tuner Mute	O	OL	OL
129	P151	TUNED	Tuner Meter	I	I	OL
130	VSS	VSS	Ground	---	---	---
131	P150	/ST	Tuner Stereo	I	I	OL
132	VCC	VCC	+ 5V	---	---	---
133	AN7	LMV	Power Limiter Market Detect	I	I	I
134	AN6	REC	REC OUT Selector	I	I	I
135	AN5	PRMT	Power Limiter Detect	I	I	I
136	AN4	KY1	Key State 1	I	I	I
137	AN3	KY0	Key State 0	I	I	I
138	AN2	THM	Thermal Detect	I	I	I
139	AN1	PRD	Power Amp DC Protection	I	I	I
140	AVSS	AVSS	Ground for AD	VSS	VSS	VSS
141	AN0	PRV	V Protection	I	I	I
142	VREF	VREF	Reference voltage for AD	VCC	VCC	VCC
143	AVCC	AVCC	Power Supply for AD	VCC	VCC	VCC
144	RXD4	RXDR	232C Reception Data	I	I	OL

(Note 1) Pin 6 Frequency Switch (R, T only)

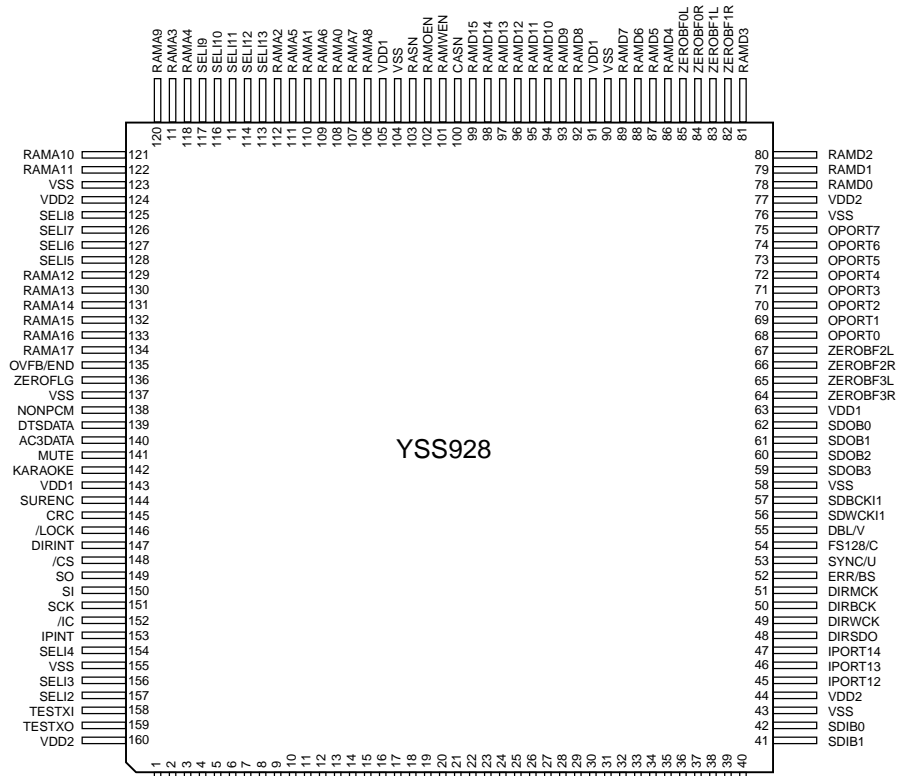
1	AM : 531-1611kHz(9kHz step)	FM : 87.5-108.0MHz(50kHz step)
0	AM : 530-1710kHz(10kHz step)	FM : 87.5-108.0MHz(100kHz step)

(Note 2) Pin 123, 124 Tuner Mode 0 and 1

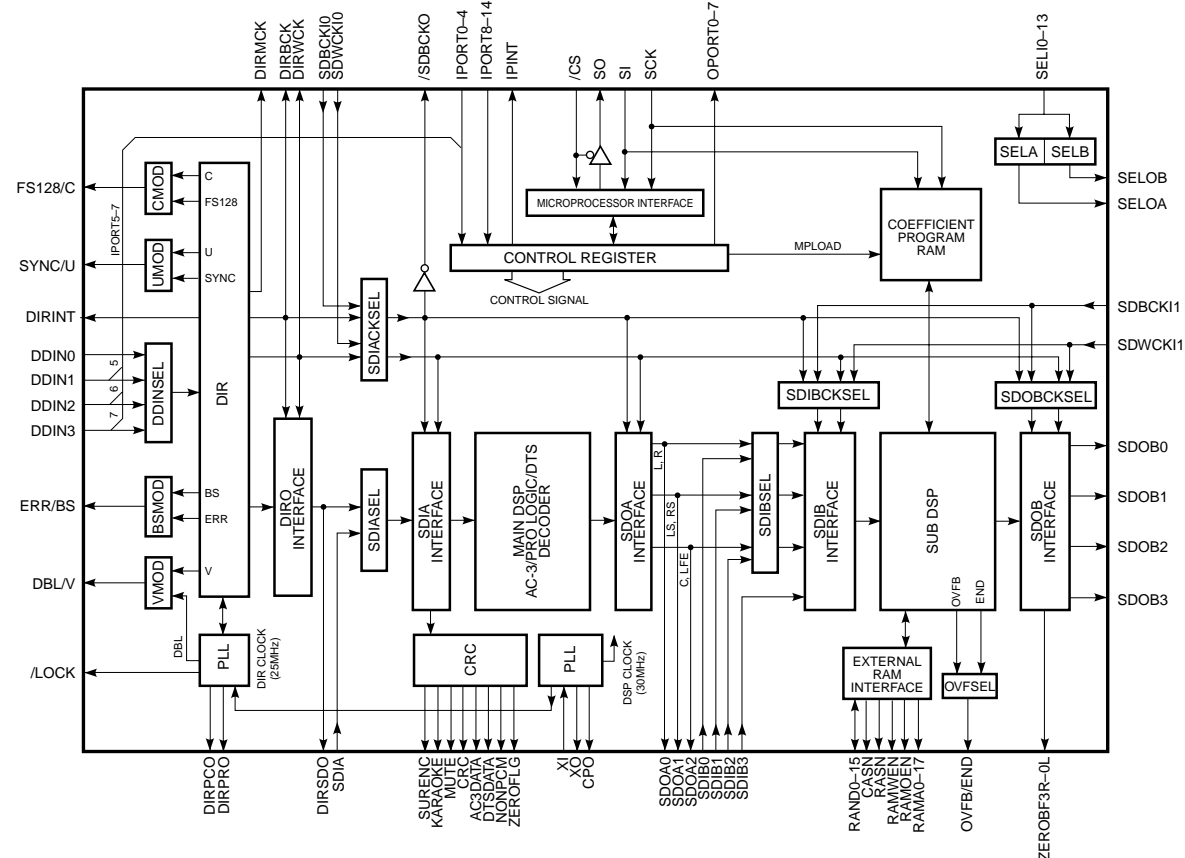
Tuner Mode 1	Tuner Mode 0	Tuner Frequency	Market
0	0	AM : 531-1611kHz(9kHz step) FM : 76.0-90.0MHz(100kHz step)	J
0	1	AM : 530-1710kHz(10kHz step) FM : 87.5-107.9MHz(200kHz step)	U, C
1	0	AM : 531-1611kHz(9kHz step) FM : 87.5-108.0MHz(50kHz step)	A, L, G
1	1	Tuner Frequency is selected by Port 6 (Note 1)	R

IC501 : YSS928 (DSP P.C.B.)

AC3D3



YSS928



IC501 : YSS928 (DSP P.C.B.)

AC3D3

No.	Name	I/O	Function
1	XO	O	Crystal oscillator connecting terminal
2	XI	I	Crystal oscillator connecting terminal (24.576MHz)
3	SEL11	I+	Built-in selector input 1 (AXD)
4	SEL10	I+	Built-in selector input 0 (GND)
5	SELOA	O+	Built-in selector output A (ISEL)
6	SELOB	O+	Built-in selector output B (RSEL)
7	TESTMS	I+	Test terminal (unconnected)
8	TESTXEN	I+	Test terminal (unconnected)
9	IPORT0	I+	General purpose input terminal (CXDTA)
10	IPORT1	I+	General purpose input terminal (CXDTB)
11	IPORT2	I+	General purpose input terminal (CXDTE)
12	IPORT3	I+	General purpose input terminal (MUTE)
13	IPORT4	I+	General purpose input terminal
14	DDIN0	Is	DIR: Digital audio interface data input terminal 0 (ISEL)
15	DDIN1	Is	DIR: Digital audio interface data input terminal 1/General purpose input terminal (Pull down)
16	DDIN2	Is	DIR: Digital audio interface data input terminal 2/General purpose input terminal (Pull up)
17	DDIN3	Is	DIR: Digital audio interface data input terminal 3/General purpose input terminal (Pull down)
18	VSS		Ground terminal
19	CPO	A	PLL filter connecting terminal
20	AVDD		+3.3V power terminal (for DIR)
21	DIRPCO	A	DIR: PLL filter connecting terminal
22	DIRPRO	A	DIR: PLL filter connecting terminal
23	AVSS		Ground terminal (for DIR)
24	TESTBRK	I+	Test terminal (unconnected)
25	TESTR1	I+	PLL initialization signal input terminal for DSP (/ICD)
26	TESTR2	I+	Test terminal (unconnected)
27	VDD1		+3.3V power terminal (for terminal section)
28	SDWCKI0	I+	Word clock input terminal for SDIA, SDOA, SDIB, SDOB interface (Unconnected)
29	SDBCKI0	I+	Bit clock input terminal for SDIA, SDOA, SDIB, SDOB interface (Unconnected)
30	/SDBCK0	O	DIRBCK or SDBCKI0 invert clock output terminal (Unconnected)
31	IPORT8	I+	IPINT general purpose input terminal (Pull down)
32	IPORT9	I+	IPINT general purpose input terminal (NONPCM)
33	IPORT10	I+	IPINT general purpose input terminal (NONPCM)
34	IPORT11	I+	IPINT general purpose input terminal (MUTE)
35	SDIA	I	AC-3/DTS bit stream (or PCM) data input terminal to Main DSP
36	SDOA2	O	PCM output terminal from Main DSP (C/LFE output) (Unconnected)
37	SDOA1	O	PCM output terminal from Main DSP (LS/RS output) (Unconnected)
38	SDOA0	O	PCM output terminal from Main DSP (L/R output)
39	SDIB3	I+	PCM input terminal 3 to Sub DSP (Unconnected)
40	SDIB2	I+	PCM input terminal 2 to Sub DSP (Unconnected)
41	SDIB1	I+	PCM input terminal 1 to Sub DSP (Unconnected)
42	SDIB0	I+	PCM input terminal 0 to Sub DSP (Unconnected)
43	VSS		Ground terminal
44	VDD2		+2.5V power terminal (for internal circuit)
45	IPORT12	I+	IPINT general purpose input terminal (DBL)
46	IPORT13	I+	IPINT general purpose input terminal (DBL)
47	IPORT14	I+	IPINT general purpose input terminal (DIRINT)
48	DIRSDO	O	AC-3/DTS bit stream (or PCM) data output terminal from DIR (Unconnected)
49	DIRWCK	O	DIR: Serial data word clock (fs) output terminal (WCK)
50	DIRBCK	O	DIR: Serial data bit clock (64fs) output terminal (BCK)
51	DIRMCK	O	DIR: Serial data master clock (256fs or 128fs) output terminal (MCK)
52	ERR/BS	O	DIR: Data error detect output/block start output terminal (Unconnected)
53	SYNC/U	O	DIR: Serial data synchronous timing output/user data output terminal (Unconnected)
54	FS128/C	O	DIR: Serial data master clock 128fs output/channel status output terminal (Unconnected)
55	DBL/V	O	DIR: Double rate clock output/validity flag output terminal (DBL)

IC501 : YSS928 (DSP P.C.B.)

AC3D3

No.	Name	I/O	Function
56	SDWCKI1	I+	Word clock input terminal for SDIB, SDOB interface (Unconnected)
57	SDBCKI1	I+	Bit clock input terminal for SDIB, SDOB interface (Unconnected)
58	VSS		Ground terminal
59	SDOB3	O	PCM output terminal from Sub DSP
60	SDOB2	O	PCM output terminal from Sub DSP
61	SDOB1	O	PCM output terminal from Sub DSP
62	SDOB0	O	PCM output terminal from Sub DSP
63	VDD1		+3.3V power terminal (for terminal section)
64	ZEROBF3R	O+	SDOB3 Rch zero flag output terminal (ZF3R)
65	ZEROBF3L	O+	SDOB3 Lch zero flag output terminal (ZF3L)
66	ZEROBF2R	O+	SDOB2 Rch zero flag output terminal (ZF2R)
67	ZEROBF2L	O+	SDOB2 Lch zero flag output terminal (ZF2L)
68	OPORT0	O	General purpose output terminal (DASEL)
69	OPORT1	O	General purpose output terminal (/RINH1)
70	OPORT2	O	General purpose output terminal (/RINH2)
71	OPORT3	O	General purpose output terminal (/ICCDC)
72	OPORT4	O	General purpose output terminal (DFS)
73	OPORT5	O	General purpose output terminal (Unconnected)
74	OPORT6	O	General purpose output terminal (Unconnected)
75	OPORT7	O	General purpose output terminal (Unconnected)
76	VSS		Ground terminal
77	VDD2		+2.5V power terminal (for internal circuit)
78	RAMD0	I+/O	Sub DSP: External memory data terminal 0
79	RAMD1	I+/O	Sub DSP: External memory data terminal 1
80	RAMD2	I+/O	Sub DSP: External memory data terminal 2
81	RAMD3	I+/O	Sub DSP: External memory data terminal 3
82	ZEROBF1R	O+	SDOB1 Rch zero flag output terminal (ZF1R)
83	ZEROBF1L	O+	SDOB1 Lch zero flag output terminal (ZF1L)
84	ZEROBF0R	O+	SDOB0 Rch zero flag output terminal (ZF0R)
85	ZEROBF0L	O+	SDOB0 Lch zero flag output terminal (ZF0L)
86	RAMD4	I+/O	Sub DSP: External memory data terminal 4
87	RAMD5	I+/O	Sub DSP: External memory data terminal 5
88	RAMD6	I+/O	Sub DSP: External memory data terminal 6
89	RAMD7	I+/O	Sub DSP: External memory data terminal 7
90	VSS		Ground terminal
91	VDD1		+3.3V power terminal (for terminal section)
92	RAMD8	I+/O	Sub DSP: External memory data terminal 8
93	RAMD9	I+/O	Sub DSP: External memory data terminal 9
94	RAMD10	I+/O	Sub DSP: External memory data terminal 10
95	RAMD11	I+/O	Sub DSP: External memory data terminal 11
96	RAMD12	I+/O	Sub DSP: External memory data terminal 12
97	RAMD13	I+/O	Sub DSP: External memory data terminal 13
98	RAMD14	I+/O	Sub DSP: External memory data terminal 14
99	RAMD15	I+/O	Sub DSP: External memory data terminal 15
100	CASN	O	Sub DSP: Column address strobe output terminal for external DRAM
101	RAMWEN	O	Sub DSP: Write enable terminal for external memory
102	RAMOEN	O	Sub DSP: Output enable terminal for external memory
103	RASN	O	Sub DSP: Low address strobe output terminal for external DRAM
104	VSS		Ground terminal
105	VDD1		+3.3V power terminal (for terminal section)
106	RAMA8	O	Sub DSP: External memory address terminal 8
107	RAMA7	O	Sub DSP: External memory address terminal 7
108	RAMA0	O	Sub DSP: External memory address terminal 0
109	RAMA6	O	Sub DSP: External memory address terminal 6
110	RAMA1	O	Sub DSP: External memory address terminal 1

IC501 : YSS928 (DSP P.C.B.)

AC3D3

No.	Name	I/O	Function
111	RAMA5	O	Sub DSP: External memory address terminal 5
112	RAMA2	O	Sub DSP: External memory address terminal 2
113	SELI13	I+	Built-in selector input 13 (AC3RF)
114	SELI12	I+	Built-in selector input 12 (CXE)
115	SELI11	I+	Built-in selector input 11 (Unconnected)
116	SELI10	I+	Built-in selector input 10 (Unconnected)
117	SELI9	I+	Built-in selector input 9 (CXB)
118	RAMA4	O	Sub DSP: External memory address terminal 4
119	RAMA3	O	Sub DSP: External memory address terminal 3
120	RAMA9	O	Sub DSP: External memory address terminal 9 (Unconnected)
121	RAMA10	O	Sub DSP: External memory address terminal 10 (Unconnected)
122	RAMA11	O	Sub DSP: External memory address terminal 11 (Unconnected)
123	VSS		Ground terminal
124	VDD2		+2.5V power terminal (for internal circuit)
125	SELI8	I+	Built-in selector input 8 (CXA)
126	SELI7	I+	Built-in selector input 7 (Unconnected)
127	SELI6	I+	Built-in selector input 6 (OPTF)
128	SELI5	I+	Built-in selector input 5 (OPTE)
129	RAMA12	O	Sub DSP: External memory address terminal 12 (Unconnected)
130	RAMA13	O	Sub DSP: External memory address terminal 13 (Unconnected)
131	RAMA14	O	Sub DSP: External memory address terminal 14 (Unconnected)
132	RAMA15	O	Sub DSP: External memory address terminal 15 (Unconnected)
133	RAMA16	O	Sub DSP: External memory address terminal 16 (Unconnected)
134	RAMA17	O	Sub DSP: External memory address terminal 17 (Unconnected)
135	OVFB/END	O	Sub DSP: Overflow/program end detect terminal (Unconnected)
136	ZEROF LG	O	Main DSP: Zero flag output terminal (Unconnected)
137	VSS		Ground terminal
138	NONPCM	O	Main DSP: Non-PCM data detect terminal
139	DTSDATA	O	Main DSP: DTS data detect terminal (Unconnected)
140	AC3DATA	O	Main DSP: AC3 data detect terminal (Unconnected)
141	MUTE	O	Main DSP: Auto mute detect terminal
142	KARAOKE	O	Main DSP: AC3 KARAOKE data detect terminal (Unconnected)
143	VDD1		+3.3V power terminal (for terminal section)
144	SURENC	O	Main DSP: AC-3 2/0 mode Dolby surround encode input detect terminal (Unconnected)
145	CRC	O	Main DSP: AC3 CRC error detect terminal (Unconnected)
146	/LOCK	O	DIR: PLL lock detect terminal (Unconnected)
147	DIRINT	O	DIR: Interrupt output terminal
148	/CS	Is	Microprocessor interface chip select input terminal (CSY)
149	SO	Ot	Microprocessor interface data output terminal
150	SI	Is	Microprocessor interface data input terminal (SDM)
151	SCK	Is	Microprocessor interface clock input terminal
152	/IC	Is	Initial clear input terminal (/ICD)
153	IPINT	O+	Interrupt output terminal by IPORT 8-14
154	SELI4	I+	Built-in selector input 4 (OPTD)
155	VSS		Ground terminal
156	SELI3	I+	Built-in selector input 3 (OPTC)
157	SELI2	I+	Built-in selector input 2 (OPTB)
158	TESTXI	I	Test terminal (should be always connected to VSS)
159	TESTXO	O	Test terminal (Unconnected)
160	VDD2		+2.5V power terminal (for internal circuit)

Is: Schmidt trigger input terminal

I+: Input terminal with pull-up resistor

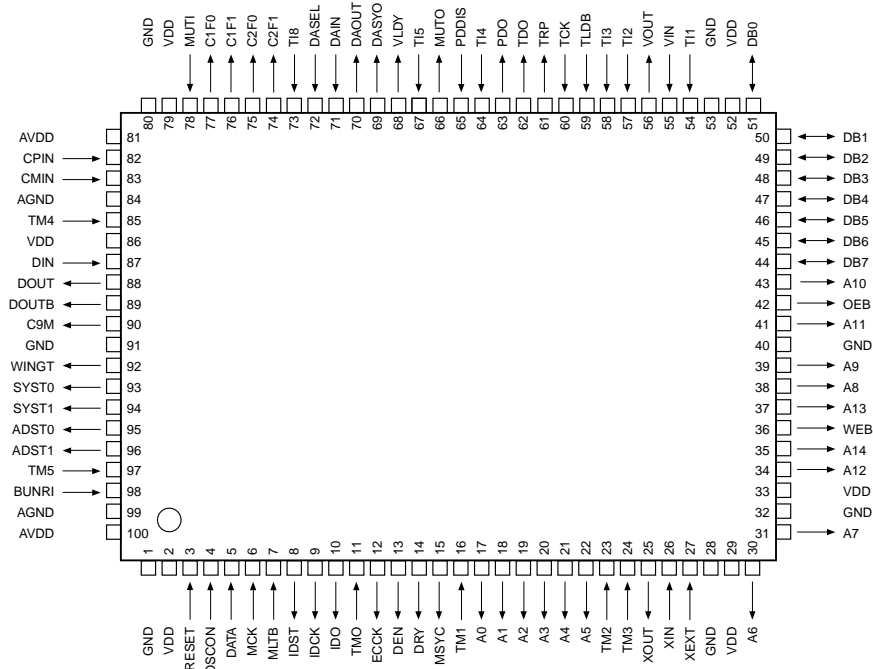
O: digital output terminal

Ot: Tri-state digital output terminal

A: Analog terminal

IC503 : PM4007A (DSP P.C.B.)

AC-3 RF Demodulator



No.	Name	I/O	Function
1	GND		Ground (0V)
2	VDD		+5V power supply
3	RESET	I	System resetting terminal (reset at "L")
4	OSCON	I	Oscillation control terminal. Oscillation ON at "H", set to "H" normally and to "L" when in standby state
5	DATA	I	IC test terminal, normally connected to ground (or unconnected)
6	MCK	I	IC test terminal, normally connected to ground (or unconnected)
7	MLTB	I	IC test terminal, normally connected to ground (or unconnected)
8	IDST	O	Output terminal for IC test
9	IDCK	O	Output terminal for IC test
10	IDO	O	Output terminal for IC test
11	TM0	I	IC test terminal, normally connected to ground (or unconnected)
12	ECCK	O	Output terminal for IC test
13	DEN	O	Output terminal for IC test
14	DRY	O	Output terminal for IC test
15	MSYC	O	Output terminal for IC test
16	TM1	I	IC test terminal, normally connected to ground (or unconnected)
17	A0	O	External RAM address output. Address 0 (LSB)
18	A1	O	External RAM address output. Address 1
19	A2	O	External RAM address output. Address 2
20	A3	O	External RAM address output. Address 3
21	A4	O	External RAM address output. Address 4
22	A5	O	External RAM address output. Address 5
23	TM2	I	IC test terminal, normally connected to ground (or unconnected)
24	TM3	I	IC test terminal, normally connected to ground (or unconnected)
25	XOUT	O	Output terminal for IC test
26	XIN	I	IC test terminal, normally connected to ground (or unconnected)
27	XEXT	I	IC test terminal, normally connected to ground (or unconnected)
28	GND		Ground terminal (0V)
29	VDD		+5V power supply

IC503 : PM4007A (DSP P.C.B.)

AC-3 RF Demodulator

No.	Name	I/O	Function
30	A6	O	External RAM address output. Address 6
31	A7	O	External RAM address output. Address 7
32	GND		Ground terminal (0V)
33	VDD		+5V power supply
34	A12	O	External RAM address output. Address 12
35	A14	O	External RAM address output. Address 14 (MSB)
36	WEB	O	External RAM write enable signal, active at "L"
37	A13	O	External RAM address output. Address 13
38	A8	O	External RAM address output. Address 8
39	A9	O	External RAM address output. Address 9
40	GND		Ground terminal (0V)
41	A11	O	External RAM address output. Address 11
42	OEB	O	External RAM output enable signal, active at "L"
43	A10	O	External RAM address output. Address 10
44	DB7	I/O	External RAM data terminal. Data bus 7
45	DB6	I/O	External RAM data terminal. Data bus 6
46	DB5	I/O	External RAM data terminal. Data bus 5
47	DB4	I/O	External RAM data terminal. Data bus 4
48	DB3	I/O	External RAM data terminal. Data bus 3
49	DB2	I/O	External RAM data terminal. Data bus 2
50	DB1	I/O	External RAM data terminal. Data bus 1
51	DB0	I/O	External RAM data terminal. Data bus 0
52	VDD		+5V power supply
53	GND		Ground terminal (0V)
54	TI1	I	IC test terminal, normally connected to VDD
55	VIN	I	VCXO input
56	VOUT	O	VCXO output
57	TI2	I	IC test terminal, normally connected to GND (or unconnected)
58	TI3	I	IC test terminal, normally connected to GND (or unconnected)
59	TLDB	I	IC test terminal, normally connected to GND (or unconnected)
60	TCK	I	IC test terminal, normally connected to GND (or unconnected)
61	TRP	O	Output terminal for IC test
62	TDO	O	Output terminal for IC test
63	PDO	O	Output terminal for phase comparator (tri-state)
64	TI4	I	IC test terminal, normally connected to GND (or unconnected)
65	PDDIS	I	Input terminal to control PDO output. Output ON at "L"
66	MUTO	O	Muting output. Muting available at "H". Setting becomes "H" when "MUTI=H" or AC-3 is asynchronous.
67	TI5	I	IC test terminal, normally connected to GND (or unconnected)
68	VDY	O	Output terminal for IC test
69	DASYO	O	Output terminal for IC test
70	DAOUT	O	Digital out output (serial data stream output)
71	DAIN	I	Digital external input, through to DAOUT when DASEL is "H".
72	DASEL	I	Digital out select
73	TI8	I	IC test terminal, normally connected to GND (or unconnected)
74	C2F1	O	Terminal used to indicate error condition after C2 correction, whether completely corrected or not.
75	C2F0	O	Terminal used to indicate error condition after C2 correction, number of errors at C2.
76	C1F1	O	Terminal used to indicate error condition after C1 correction, whether any error exists at C1 or not.
77	C1F0	O	Terminal used to indicate error condition after C1 correction, number of errors at C1.
78	MUTI	I	Muting input. Muting available at "H"
79	VDD		+5V power supply
80	GND		Ground terminal (0V)

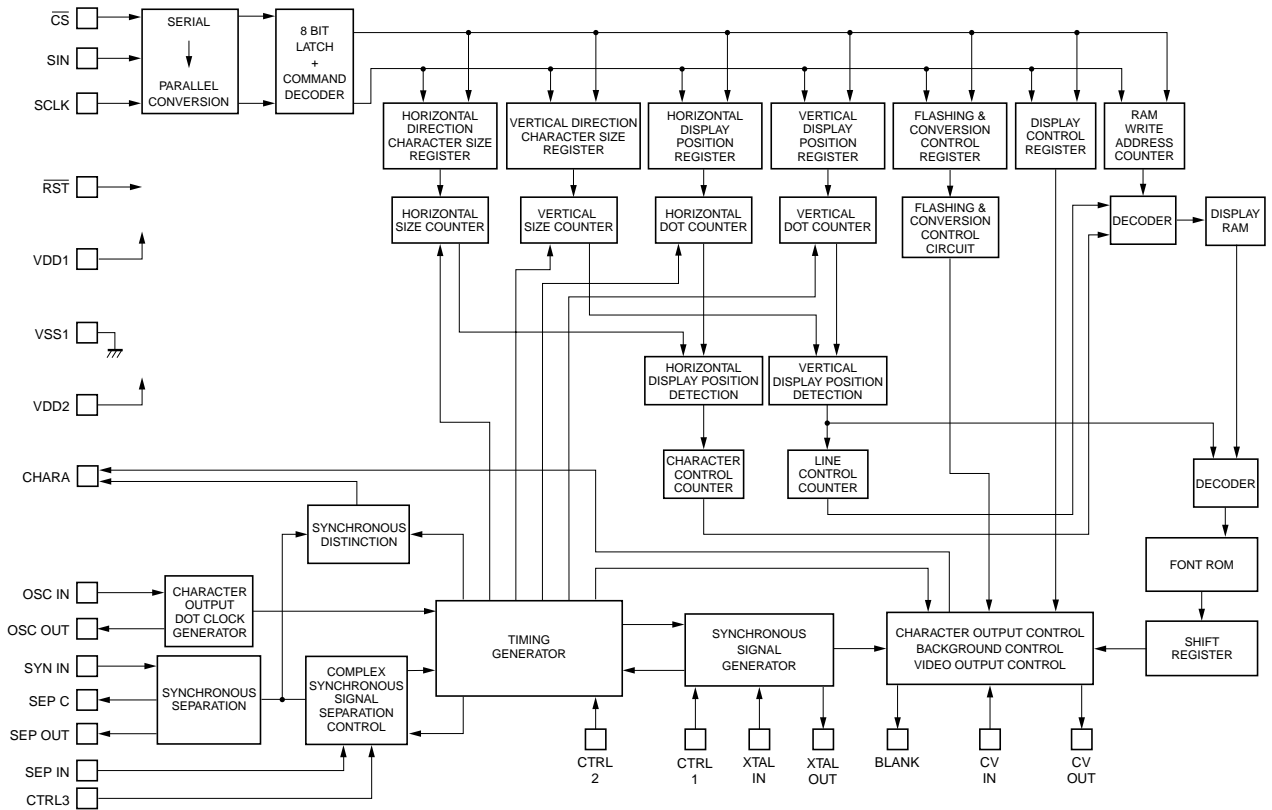
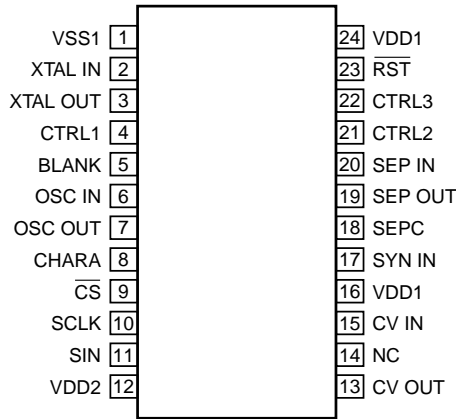
IC503 : PM4007A (DSP P.C.B.)

AC-3 RF Demodulator

No.	Name	I/O	Function
81	AVDD		+5V power supply for analog comparator
82	CPIN	I	Analog comparator input, positive side (Non-reverse side: QPSK input)
83	CMIN	I	Analog comparator input, negative side (reverse side)
84	AGND		Ground terminal for analog comparator (0V)
85	TM4	I	IC test terminal, normally connected to GND (or unconnected)
86	VDD		+5V power supply
87	DIN	I	IC test terminal, normally connected to GND (or unconnected)
88	DOUT	O	Analog comparator result output
89	DOUTB	O	Analog comparator result reverse output
90	C9M	O	9.216MHz output, output divided into 2 at VIN (No.55 pin)
91	GND		Ground terminal (0V)
92	WINGT	O	Output for IC test
93	SYST0	O	Output for IC test
94	SYST1	O	Output for IC test
95	ADST0	O	Output for IC test
96	ADST1	O	Output for IC test
97	TM5	I	IC test terminal, normally connected to GND (or unconnected)
98	BUNRI	I	IC test terminal, normally connected to GND (or unconnected)
99	AGND		Ground terminal (0V) for 46.08MHz oscillator
100	AVDD		+5V power supply for 46.08MHz oscillator

IC610 : LC74781-9798 (VIDEO P.C.B.)

Superimpose



IC610 : LC74781-9798 (VIDEO P.C.B.)

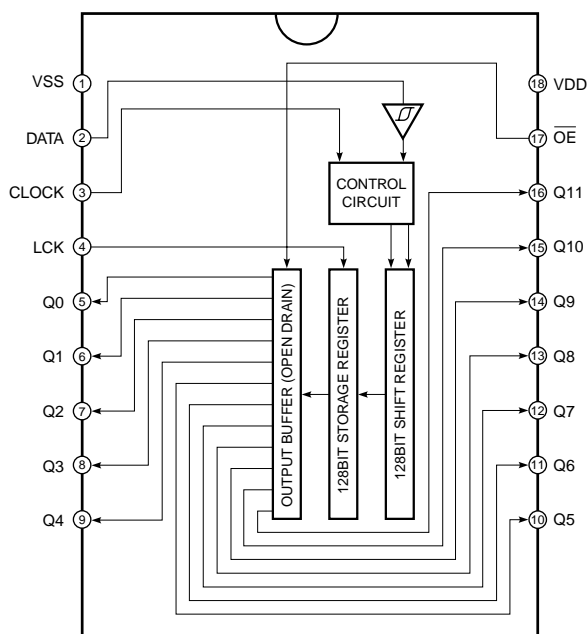
Superimpose

Pin No.	Symbol	Terminal name	Function
1	VSS1	Ground terminal	Connection to GND (Digital system ground terminal)
2	XTAL IN	Crystal oscillation terminal	Terminal to connect the crystal of the crystal oscillator for internal synchronous signal generation and a capacitor or to input an external clock. (2fsc or 4fsc)
3	XTAL OUT		
4	CTRL1	Crystal oscillation input switching terminal	Switching terminal between the mode to input a clock externally and the mode for crystal oscillation. [L] = Crystal oscillation, [H] = External clock input
5	BLANK	Blank output terminal	Terminal to output the blank signal (character and bordering OR signal) (MOD0 : complex synchronous signal output at [H]). When resetting (RST terminal = [L]), a crystal oscillation clock is output (but not when resetting by the command).
6	OSC IN	LC oscillation terminal	Terminal to connect the coil of the oscillator for character output dot clock generation and a capacitor.
7	OSC OUT		
8	CHARA	Character output terminal	Terminal to output a character signal (MOD0 : It becomes an output terminal to judge the external synchronous signal at [H] and outputs the result after judging existence of the external synchronous signal. When a synchronous signal exists, [H] is output.) When resetting (RST terminal = [L]), a dot clock (LC oscillation) is output (but it is not output when reset by the command.)
9	/CS	Enable input terminal	Serial data input enable input terminal. The serial data input becomes enable at [L]. A pull-up resistor is built in (hysteresis input).
10	SCLK	Clock input terminal	Input terminal of clock for serial data input. A pull-up resistor is built in (hysteresis input).
11	SIN	Data input terminal	Serial data input terminal. A pull-up resistor is built in (hysteresis input).
12	VDD2	Power supply terminal	Power supply terminal for complex image signal level adjustment (Power supply for analog system)
13	CV OUT	Video signal output terminal	Output terminal for complex image signal.
14	NC		Connected to GND or unconnected.
15	CV IN	Video signal input terminal	Input terminal for complex image signal.
16	VDD1	Power supply terminal	Power supply terminal (+5V : power supply for digital system)
17	SYN IN	Synchronous separation circuit input terminal	Video signal input terminal of the built-in synchronous separation circuit (When the built-in synchronous separation circuit is not used, it becomes a horizontal synchronous signal input or a complex synchronous signal input.)
18	SEP C	Synchronous separation circuit bias voltage terminal	Terminal to monitor built-in synchronous separation circuit bias voltage.
19	SEP OUT	Complex synchronous signal output terminal	Terminal to output a complex synchronous signal of built-in synchronous separation circuit ([H] when internally synchronized at MOD1 : [H], [L] output when externally synchronized) (When the built-in synchronous separation circuit is not used, SYNIN input signal is output.)
20	SEP IN	Vertical synchronous signal input terminal	Terminal to input a vertical synchronous signal by integrating the output signal of SEPOUT terminal. Connect the integration circuit between SEPOUT terminals. Fix it to VDD1 when not used.
21	CTRL2	NTSC/PAL-M switching input terminal	Pin setting has a priority over switching of NTSC/PAL/PAL-M/PAL-N method. The NTSC method is selected after [L]= reset. NTSC/PAL/PAL-M/PAL-N method setting by a command is effective. [H] = PAL-M method.
22	CTRL3	SEPIN input control terminal	Terminal to control whether or not to input VSYNC signal into SEPIN input terminal. [L] = VSYNC inputted, [H] = VSYNC not inputted.
23	/RST	Reset input terminal	System reset input terminal. A pull-up resistor is built in (hysteresis input).
24	VDD1	Power supply terminal (+5V)	Power supply terminal (+5V : power supply for digital system)

● Extension Port

IC611 : BU2092 (VIDEO P.C.B.)

12-bit Serial In/Parallel Out Driver



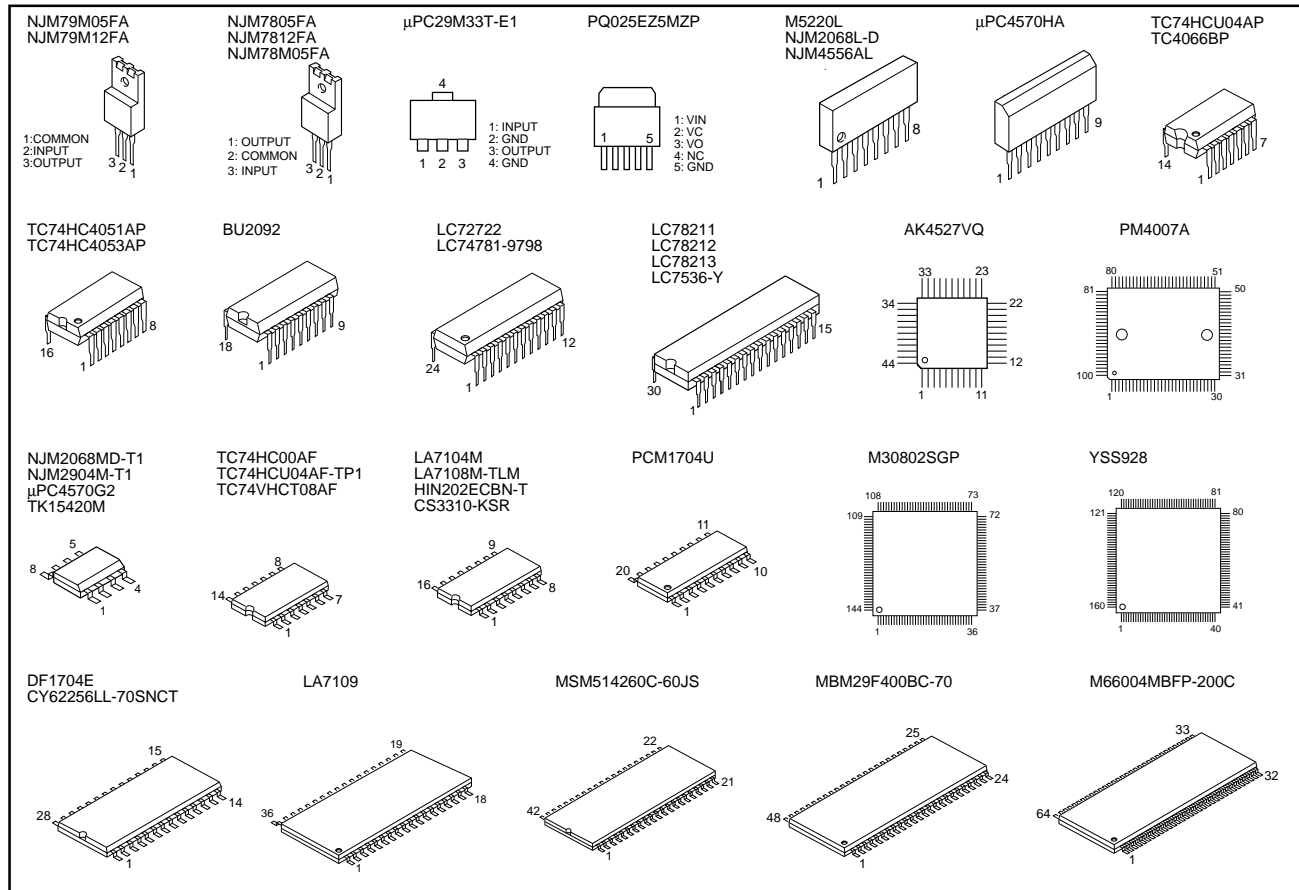
No.	PORT	Name	Function	Power On	Power Off	Backup
1	VSS	VSS	Ground	---	---	---
2	DATA	DATA	Serial Data Input	I	I	I
3	CLOCK	CLOCK	Shift Clock of Data (Rise Edge Trigger)	I	I	I
4	LCK	LCK	Latch Clock of Data (Rise Edge Trigger)	I	I	I
5	Q0	VIA	VIDEO INPUT A	O	OL	OL
6	Q1	VIB	VIDEO INPUT B	O	OL	OL
7	Q2	VIC	VIDEO INPUT C	O	OL	OL
8	Q3	VRA	VIDEO REC OUT A	O	OL	OL
9	Q4	VRB	VIDEO REC OUT B	O	OL	OL
10	Q5	VRC	VIDEO REC OUT C	O	OL	OL
11	Q6	/VR1	VCR 1 REC OUT INHIBIT	O	OL	OL
12	Q7	/VR2	VCR 2 REC OUT INHIBIT	O	OL	OL
13	Q8	CMP0	VIDEO COMPONENT 0	O	OL	OL
14	Q9	CMP1	VIDEO COMPONENT 1	O	OL	OL
15	Q10	R/Z	REC/ZONE 2 (1/0)	O	OL	OL
16	Q11		Unconnected	O	OL	OL
17	/OE	/OE	Output Enable (Output "H" Level is OFF)	I	I	I
18	VDD	VDD	+5V	---	---	---

● ANODE CONNECTION

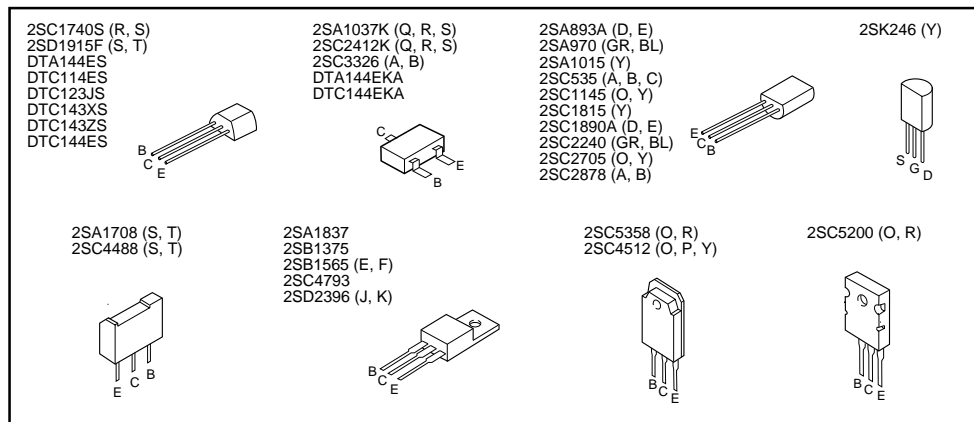
	16GA	15GA~1GA		16GB	15GB~1GB
P1A		1-1	P1B	MEMORY	1-1
P2A		2-1	P2B	TUNED	2-1
P3A		3-1	P3B	<input type="checkbox"/> (PS)	3-1
P4A		4-1	P4B	PS	4-1
P5A		5-1	P5B	<input type="checkbox"/> (PTY)	5-1
P6A		1-2	P6B	PTY	1-2
P7A		2-2	P7B	<input type="checkbox"/> (RT)	2-2
P8A		3-2	P8B	RT	3-2
P9A		4-2	P9B	<input type="checkbox"/> (CT)	4-2
P10A	A	5-2	P10B	CT	5-2
P11A	B	1-3	P11B	STEREO	1-3
P12A	-	2-3	P12B	AUTO	2-3
P13A	-	3-3	P13B	EON	3-3
P14A	▷ (PHONO)	4-3	P14B	PTY HOLD	4-3
P15A	▷ (CD)	5-3	P15B	NEWS	5-3
P16A	▷ (TUNER)	1-4	P16B	INFO	1-4
P17A	▷ (CD-R)	2-4	P17B	AFFAIRS	2-4
P18A	▷ (MD/TAPE)	3-4	P18B	SPORT	3-4
P19A	▷ (DVD)	4-4	P19B	BASS	4-4
P20A	◁ (D-TV/LD)	5-4	P20B	P. DIRECT	5-4
P21A	◁ (CABLE)	1-5	P21B	ZONE 2	1-5
P22A	◁ (SAT)	2-5	P22B	SLEEP	2-5
P23A	◁ (VCR1)	3-5	P23B	-	3-5
P24A	◁ (VCR2/DVR)	4-5	P24B	-	4-5
P25A	◁ (V-AUX)	5-5	P25B	-	5-5
P26A	S1	1-6	P26B	-	1-6
P27A	-	2-6	P27B	-	2-6
P28A	-	3-6	P28B	-	3-6
P29A	-	4-6	P29B	-	4-6
P30A	-	5-6	P30B	-	5-6
P31A	-	1-7	P31B	-	1-7
P32A	-	2-7	P32B	-	2-7
P33A	-	3-7	P33B	-	3-7
P34A	-	4-7	P34B	-	4-7
P35A	-	5-7	P35B	-	5-7

PIN CONNECTION DIAGRAM

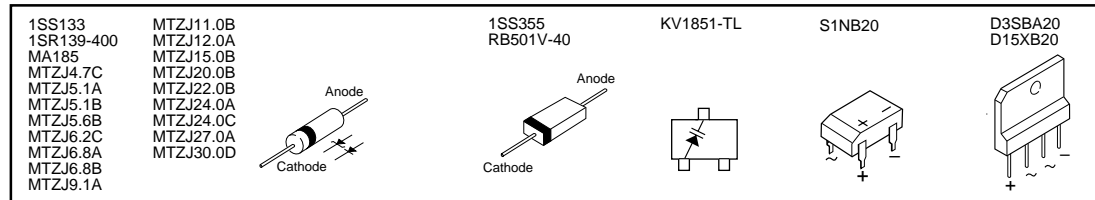
ICs



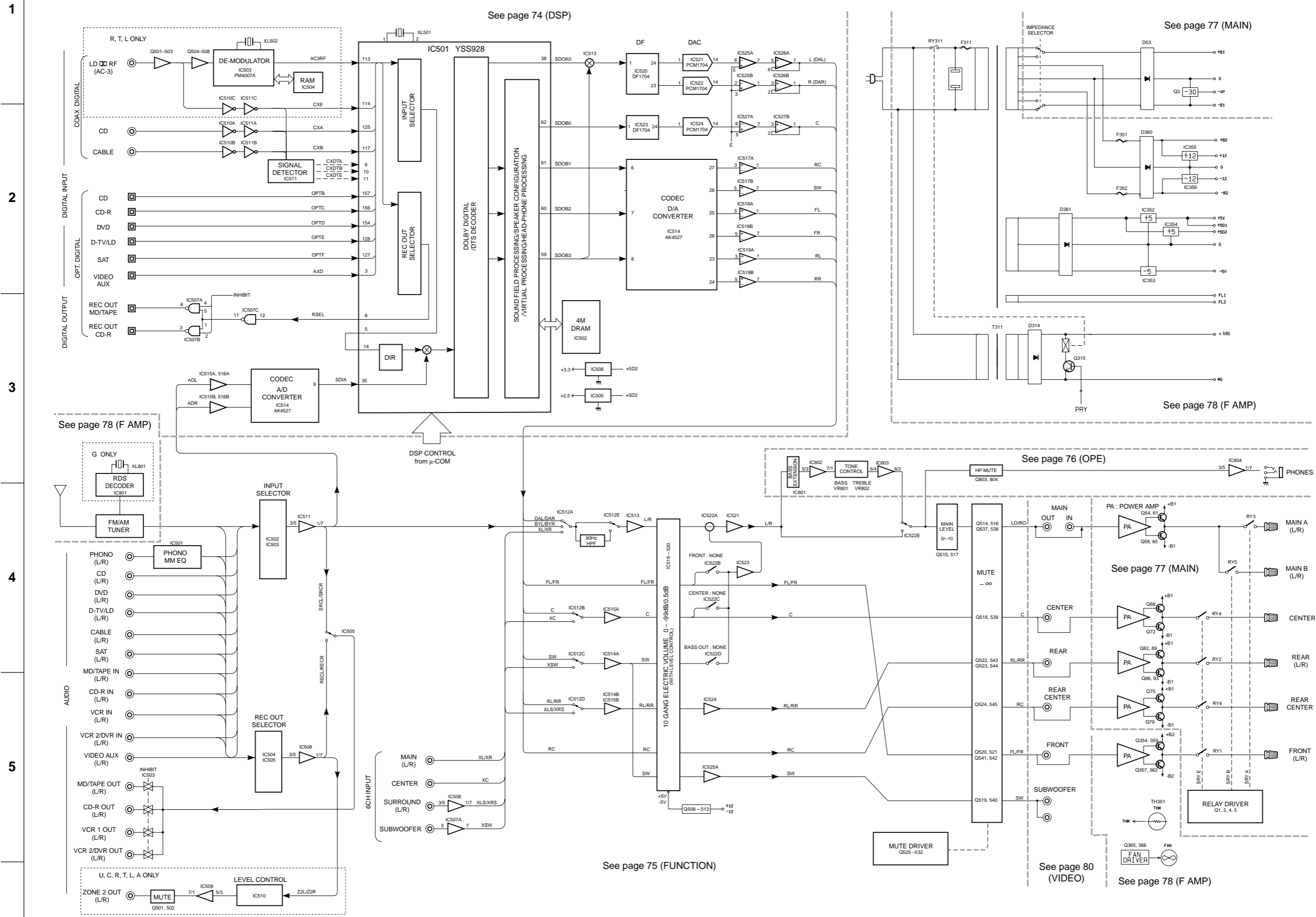
Transistors



Diodes



BLOCK DIAGRAM



■ BLOCK DIAGRAM

See page 79 (VIDEO)

See page 75 (FUNCTION)

MAIN CPU
IC526
M30802SGP

4M
FLASH
MEMORY
IC527

IC951
RS232C
INTERFACE
RS232C

U, C, R, T, L, A ONLY
CTR OUT +5V
IN
REMOTE
OUT

DSP CONTROL
DC
PROTECTION
THM
FAN

139 141 51 138 4
116 117 118
58, 60, 61
66 - 68
115
39
27
19
41

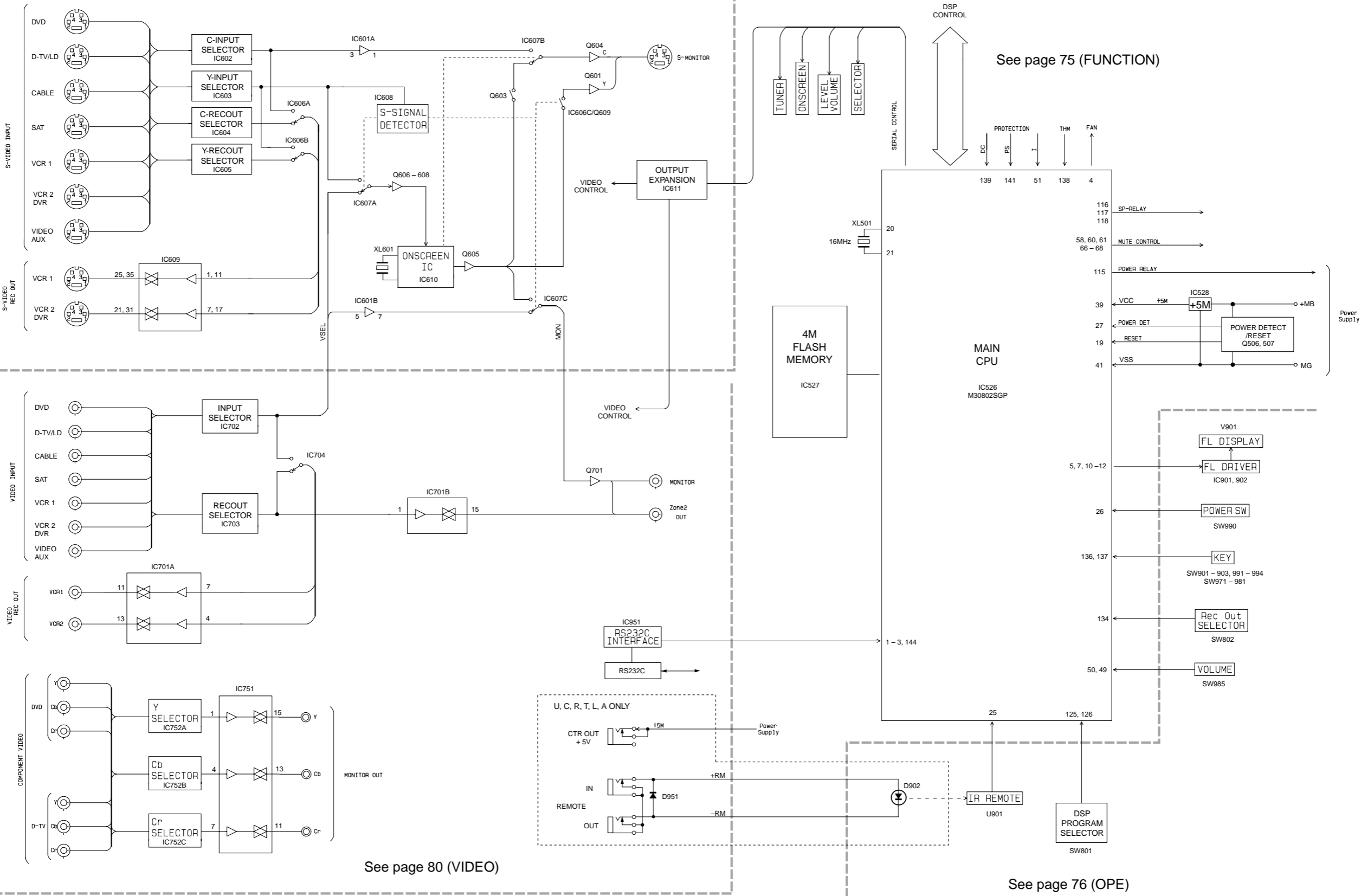
SP-RELAY
MUTE CONTROL
POWER RELAY
VCC +5M
POWER DET
RESET
VSS

V901
FL DISPLAY
FL DRIVER
IC901, 902
POWER SW
SW990
KEY
SW901 - 903, 991 - 994
SW971 - 981
Rec Out
SELECTOR
SW802
VOLUME
SW985

20
21
16MHz
XL501
1 - 3, 144
25
125, 126
D902
IR REMOTE
U901
DSP PROGRAM
SELECTOR
SW801

See page 80 (VIDEO)

See page 76 (OPE)



1
2
3
4
5
6

PRINTED CIRCUIT BOARD (Foil side)

DSP P.C.B.

(Lead Type Device)

DSP P.C.B.

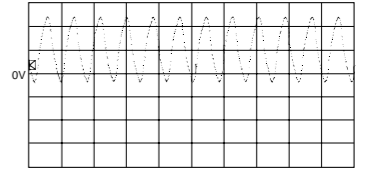
(Surface Mount Device)

TO : OPERATION (4)

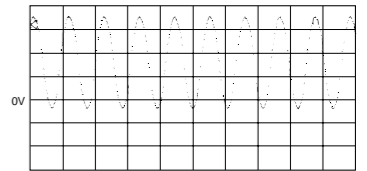
FROM : FUNCTION

- GND
 - DMT
 - /CD
 - SD
 - +12
 - +5D1
 - 5V
 - E
 - E
 - CAL
 - F
 - RL
 - RR
- INT928
 - SCK
 - SDM
 - CSY
 - 12
 - +5D2
 - ADR
 - E
 - DAR
 - E
 - SW
 - FR
 - RC

Point ① (Pin 1 of IC501)
 V : 2V/div, H : 50 nsec/div
 DC, 1 : 1 probe



Point ② (Pin 56 of IC503)
 V : 2V/div, H : 50 nsec/div
 DC, 1 : 1 probe



Semiconductor Location

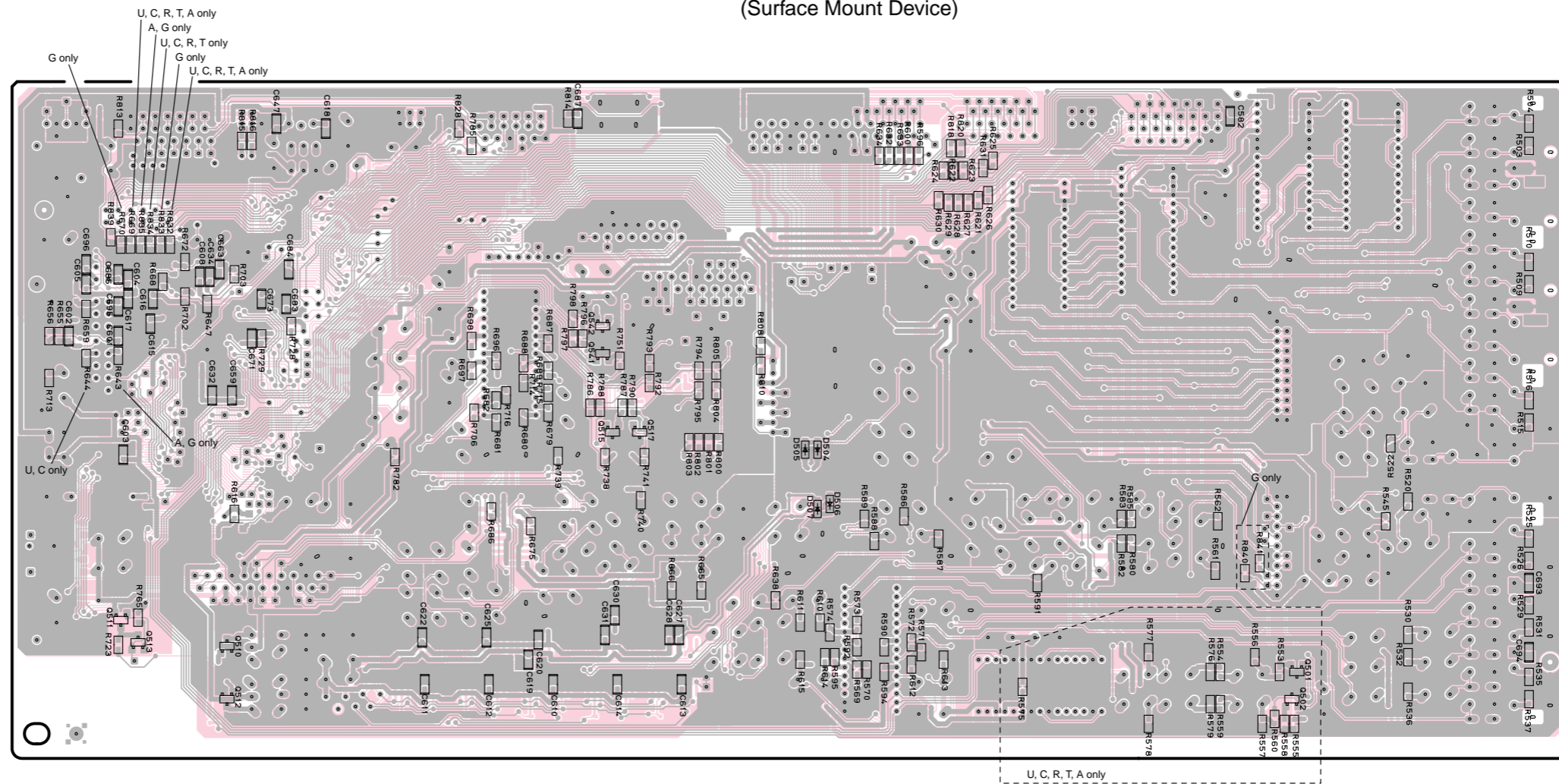
Ref. No.	Location	Ref. No.	Location
D501	C2	IC501	C3
D502	C3	IC502	B3
D503	C3	IC503	D3
D504	C3	IC504	D4
D505	C3	IC505	B2
D506	C3	IC506	B2
D507	C3	IC507	F2
D508	F3	IC508	F3
D509	B2	IC509	C3
D510	E3	IC510	F2
D511	C2	IC511	F3
D512	B2	IC512	D3
D513	B2	IC513	B4
D514	F4	IC514	C4
D515	F3	IC515	F5
D516	F4	IC516	F5
D517	F4	IC517	F5
D518	F4	IC518	F5
D519	F4	IC519	G5
D520	G4	IC520	B4
D521	F4	IC521	B4
D522	B5	IC522	B4
D523	E5	IC523	C4
D524	E5	IC524	C4
D525	F5	IC525	E5
D526	E5	IC526	E5
D527	C5	IC527	E5
D528	C5		
D529	C5		
D530	F5		
D531	C5		
D532	F4	Q501	F2
D533	F4	Q502	F2
D534	F4	Q503	G2
D535	G4	Q504	G2
D536	F4	Q505	F3
D537	E5	Q506	D3
D538	E5	Q507	D3
		Q508	F3
		Q509	E4
		Q510	E4
		Q511	F5
		Q512	F5
		Q513	F5
		Q514	E5
		Q515	B5
		Q516	F5
		Q517	F5
		Q518	G5
		Q519	B5
		Q520	B5
		Q521	B5
		Q522	F5
		Q523	F5
		Q524	F5
		Q525	F5
		Q526	G5
		Q527	F5

PRINTED CIRCUIT BOARD (Foil side)

● Semiconductor Location

Ref. No.	Location	Ref. No.	Location
D504	E3	Q501	F4
D505	E3	Q502	F4
D506	E4	Q510	C4
D507	E4	Q511	B4
		Q512	C4
		Q513	B4
		Q515	D3
		Q517	D3
		Q541	D3
		Q542	D3

FUNCTION P.C.B.
(Surface Mount Device)



1

2

3

4

5

6

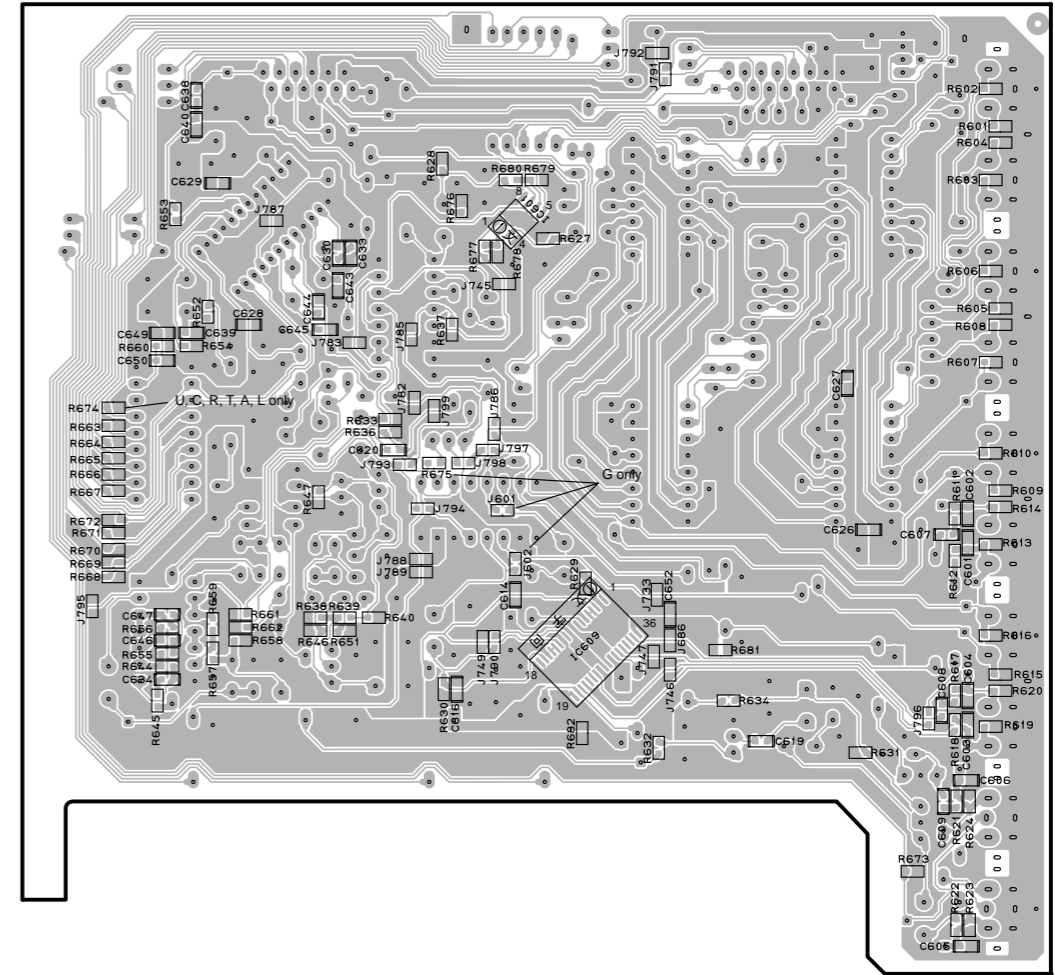
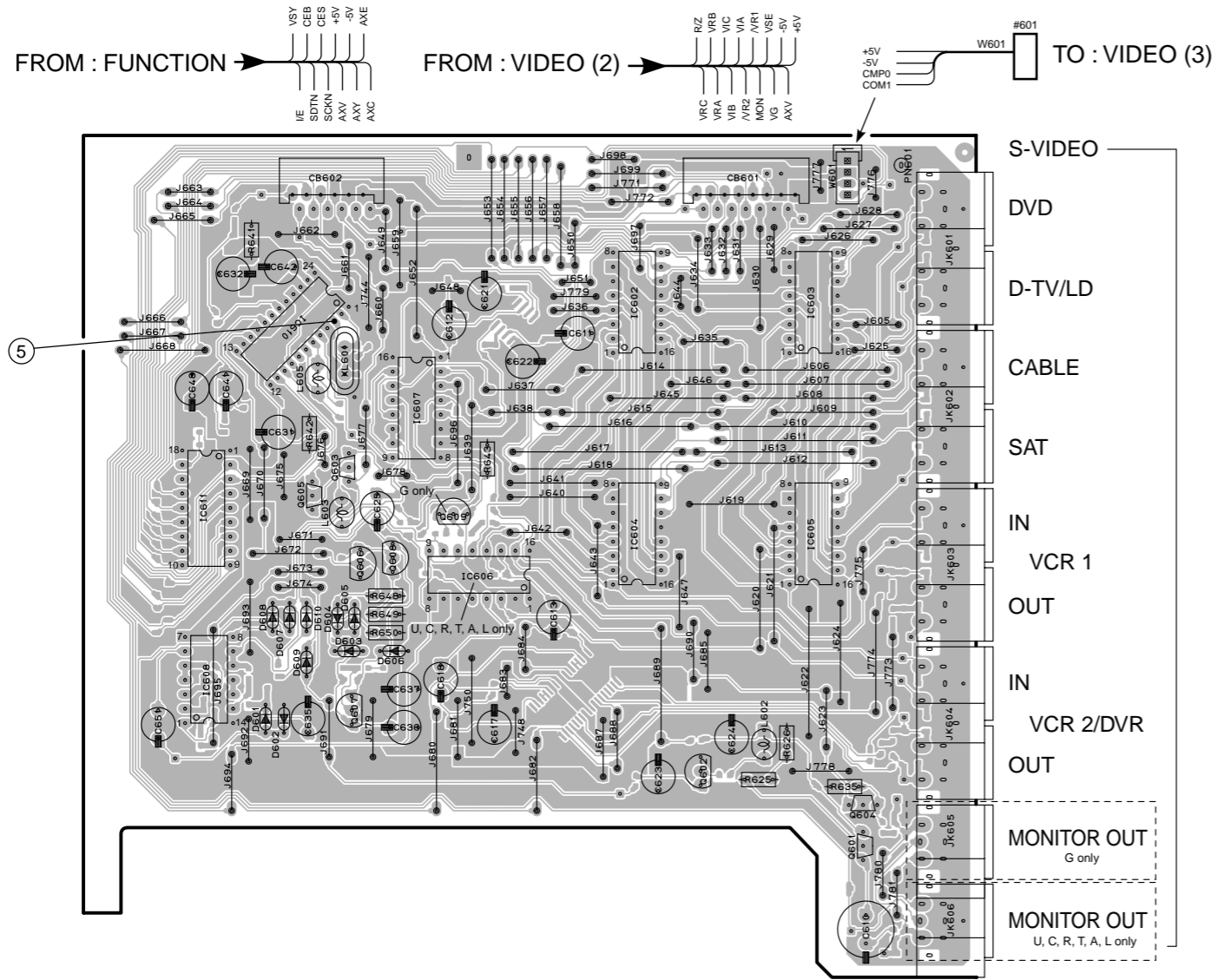
PRINTED CIRCUIT BOARD (Foil side)

VIDEO (1) P.C.B.

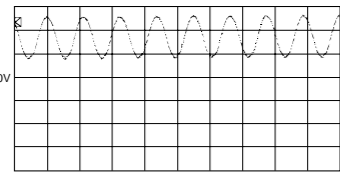
(Lead Type Device)

VIDEO (1) P.C.B.

(Surface Mount Device)



Point ⑤ (Pin 3 of IC610)
V : 1V/div, H : 50 nsec/div
DC, 1 : 1 probe



Semiconductor Location

Ref. No.	Location	Ref. No.	Location	Ref. No.	Location
D601	B4	IC601	F2	Q601	D4
D602	B4	IC602	C2	Q602	C4
D603	B3	IC603	D2	Q603	B3
D604	B3	IC604	C3	Q604	D4
D605	B3	IC605	D3	Q605	B3
D606	B3	IC606	C3	Q606	B3
D607	B3	IC607	B3	Q607	B3
D608	B3	IC608	B3	Q608	B3
D609	B3	IC609	G3	Q609	B3
D610	B3	IC610	B2		
D611	B3	IC611	B3		

PRINTED CIRCUIT BOARD (Foil side)

1

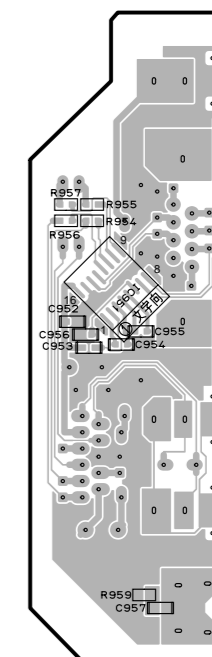
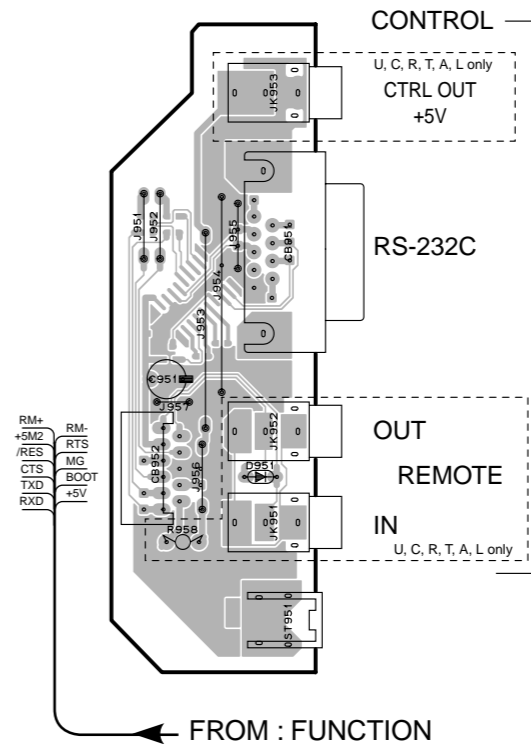
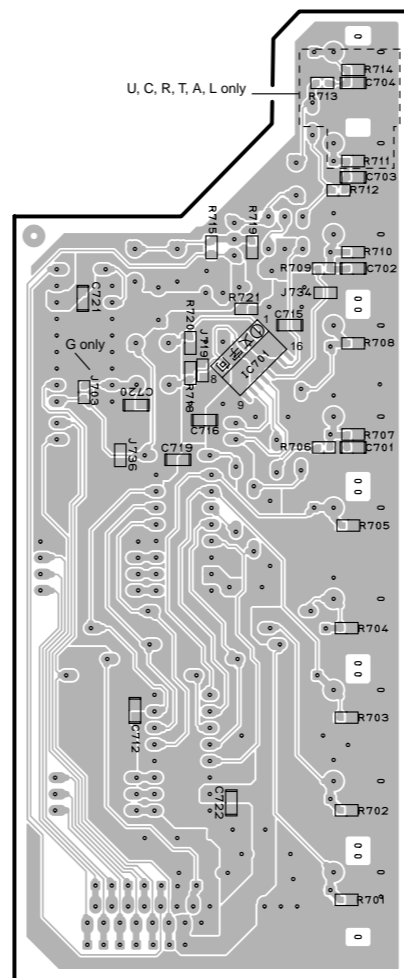
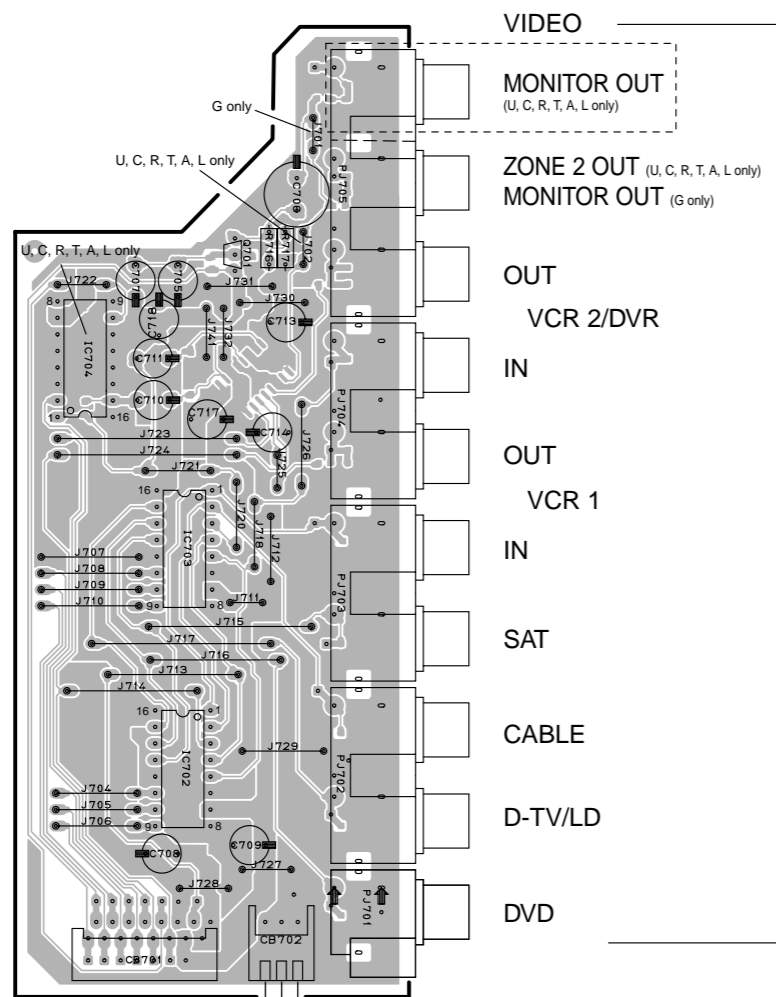
VIDEO (2) P.C.B. (Lead Type Device)

VIDEO (2) P.C.B. (Surface Mount Device)

VIDEO (6) P.C.B. (Lead Type Device)

VIDEO (6) P.C.B. (Surface Mount Device)

2



3

4

5

6

Semiconductor Location

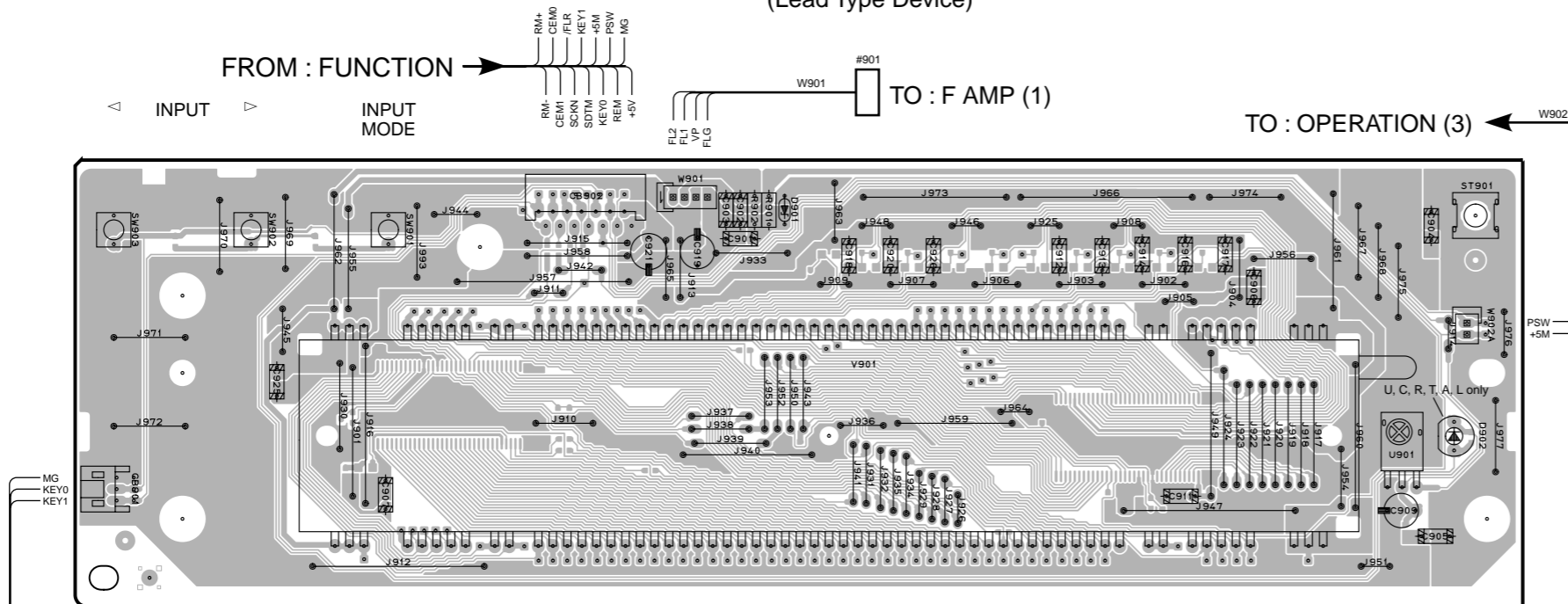
Ref. No.	Location
D951	F3
IC701	D2
IC702	B3
IC703	B3
IC704	A2
IC951	G2
Q701	B2

PRINTED CIRCUIT BOARD (Foil side)

1

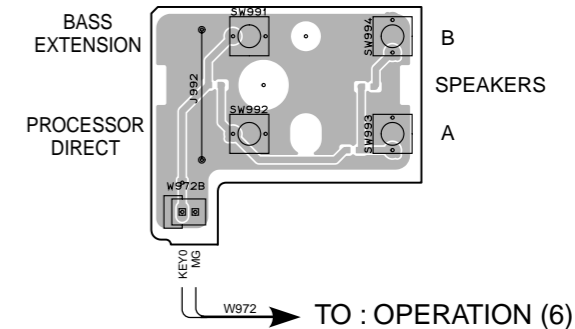
OPERATION (1) P.C.B.

(Lead Type Device)



OPERATION (5) P.C.B.

(Lead Type Device)

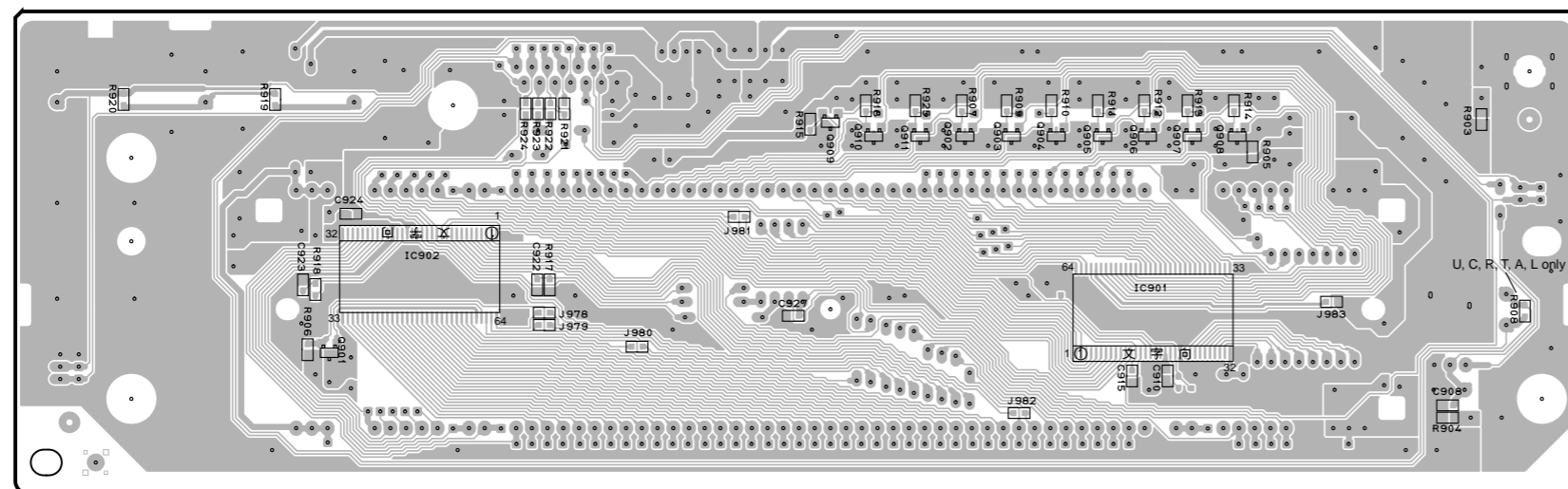


2

3

OPERATION (1) P.C.B.

(Surface Mount Device)

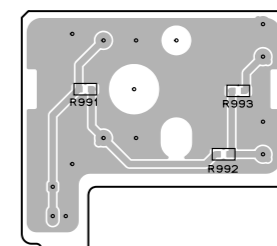


Semiconductor Location

Ref. No.	Location
D901	C2
D902	E3
IC901	D5
IC902	B5
Q901	B5
Q902	D5
Q903	D5
Q904	D5
Q905	D5
Q906	D5
Q907	D5
Q908	D5
Q909	C5
Q910	C5
Q911	D5

OPERATION (5) P.C.B.

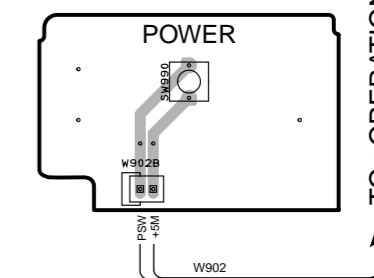
(Surface Mount Device)



4

5

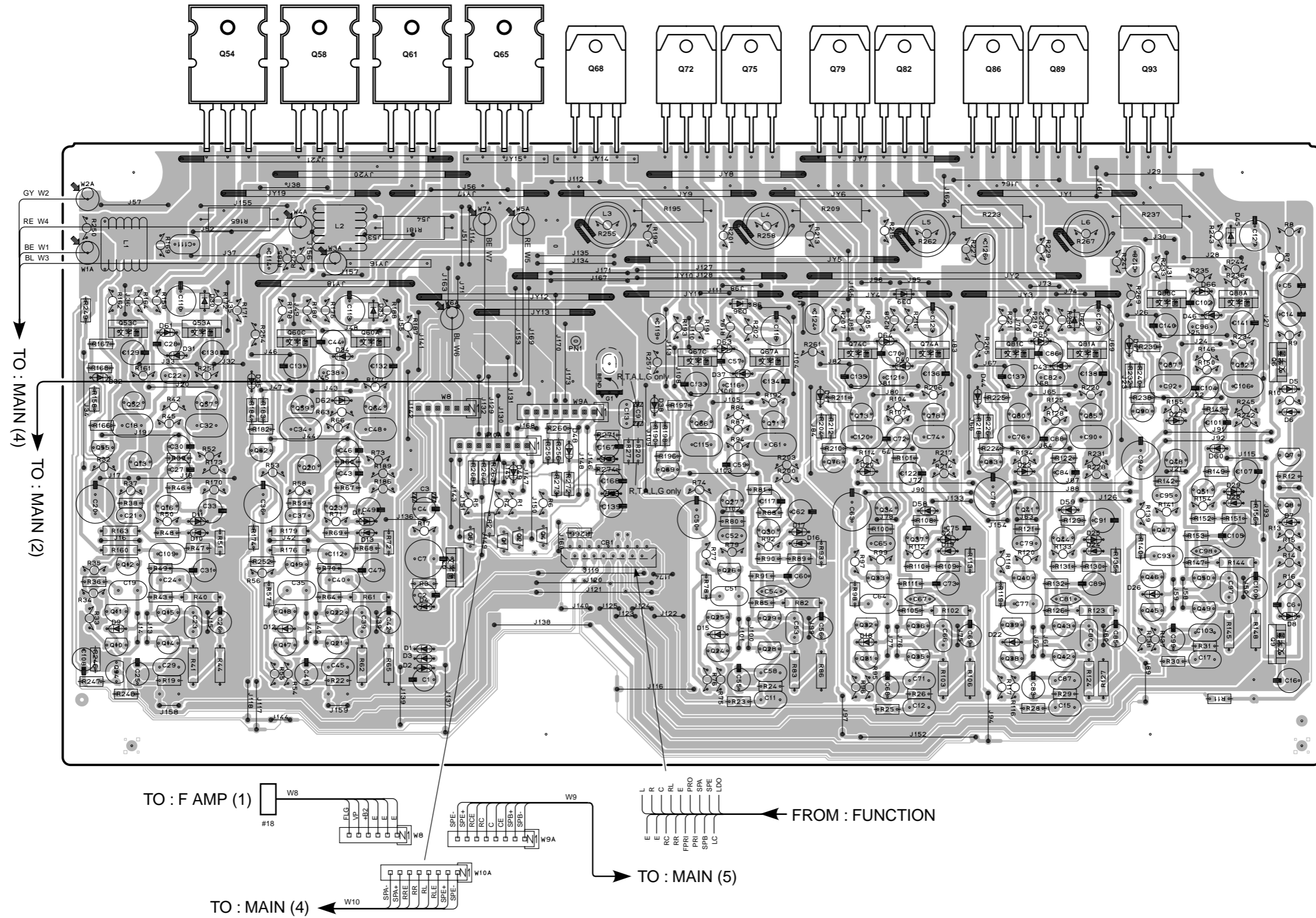
OPERATION (3) P.C.B.



6

PRINTED CIRCUIT BOARD (Foil side)

MAIN (1) P.C.B.

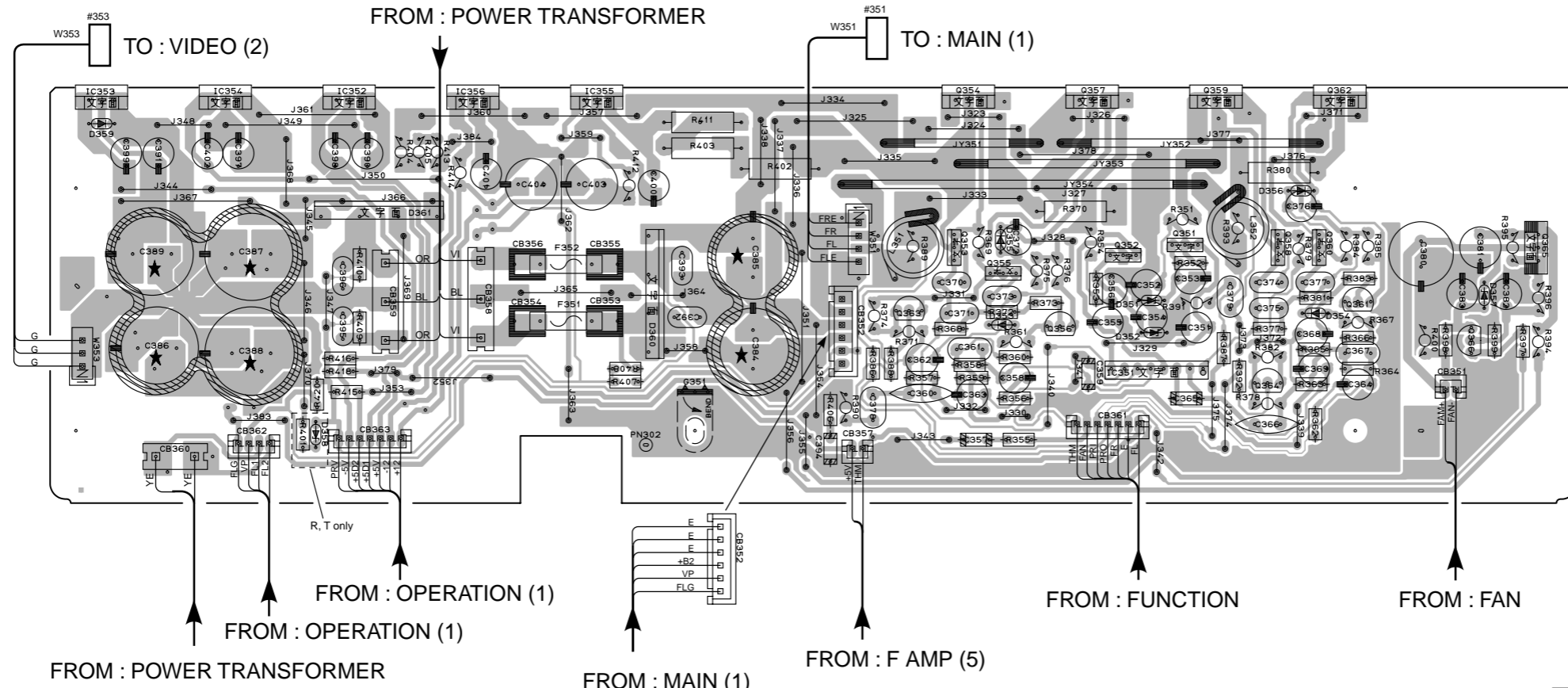


● Semiconductor Location

Ref. No.	Location	Ref. No.	Location
D1	C4	Q1	C4
D2	C4	Q2	C4
D3	C4	Q3	C4
D4	C4	Q4	C4
D5	G3	Q5	C4
D6	G3	Q6	G3
D7	G4	Q7	G3
D8	G4	Q8	G4
D9	A4	Q9	G4
D10	B4	Q10	A4
D11	B4	Q11	A4
D12	B4	Q12	B4
D13	C4	Q13	B3
D14	C4	Q14	B4
D15	D4	Q15	B4
D16	E4	Q16	B4
D17	E4	Q17	B4
D18	E4	Q18	B4
D19	E4	Q19	B4
D20	E3	Q20	B3
D21	F4	Q21	B4
D22	F4	Q22	B4
D23	F3	Q23	B4
D24	F4	Q24	D4
D25	F4	Q25	D4
D26	F4	Q26	D4
D27	F3	Q27	D4
D28	G4	Q28	D4
D29	G3	Q29	D4
D30	B3	Q30	D4
D31	B3	Q31	E4
D32	A3	Q32	E4
D33	C3	Q33	E4
D34	C3	Q34	E4
D35	B3	Q35	E4
D36	D3	Q36	E4
D37	D3	Q37	E4
D38	D3	Q38	F4
D39	E3	Q39	F4
D40	E3	Q40	F4
D41	E3	Q41	F4
D42	F3	Q42	F4
D43	F3	Q43	F4
D44	E3	Q44	F4
D45	F2	Q45	F4
D46	F3	Q46	F4
D47	F3	Q47	F4
D48	D3	Q48	F3
D49	C3	Q49	F4
D56	D3	Q50	F4
D57	D3	Q51	F3
D58	E4	Q52	B3
D59	F4	Q53A	B3
D60	F3	Q53C	B3
D61	B3	Q54	B2
D62	C3	Q55	A3
D63	D3	Q56	B3
D64	E3	Q57	B2
D65	F3	Q58	B2
D66	F3	Q59	B3
		Q60A	C3
		Q60C	B3
		Q61	C2
		Q62	B3
		Q64	C3
		Q65	C2
		Q66	D3
		Q67A	D3
		Q67C	D3
		Q68	D2
		Q69	D3
		Q70	D3
		Q71	D2
		Q72	E3
		Q73	E3
		Q74A	E3
		Q74C	E3
		Q75	D2
		Q76	E3
		Q78	E3
		Q79	E2
		Q80	F3
		Q81A	F3
		Q81C	F3
		Q82	E2
		Q83	E3
		Q85	F3
		Q86	E2
		Q87	F3
		Q88A	G3
		Q88C	F3
		Q89	F2
		Q90	F3
		Q92	G3
		Q93	F2
		Q94	A4

PRINTED CIRCUIT BOARD (Foil side)

F AMP (1) P.C.B.

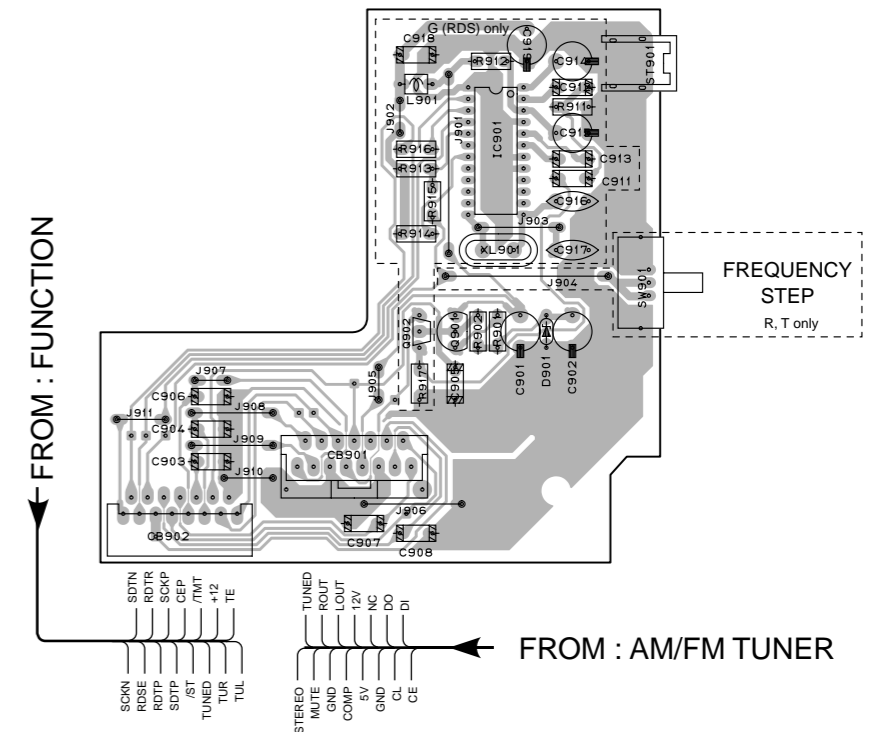


Semiconductor Location

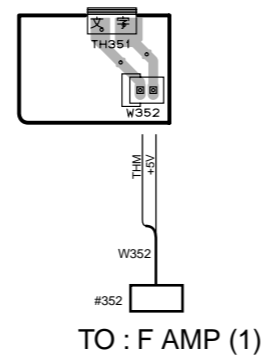
Ref. No.	Location	Ref. No.	Location
D351	E2	Q351	E2
D352	E2	Q352	E2
D353	D2	Q353	D2
D354	E2	Q354	D2
D355	D2	Q355	D2
D356	E2	Q356	D2
D357	F2	Q357	E2
D358	B3	Q358	E2
D359	A2	Q359	E2
D360	C2	Q360	E2
D361	B2	Q361	E2
D901	G5	Q362	E2
		Q363	D2
		Q364	E3
		Q365	F2
		Q366	F2
		Q901	G5
		Q902	G5

Ref. No.	Location
IC351	E2
IC352	B2
IC353	A2
IC354	B2
IC355	C2
IC356	C2
IC901	G4

F AMP (3) P.C.B.

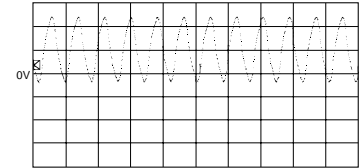


F AMP (5) P.C.B.

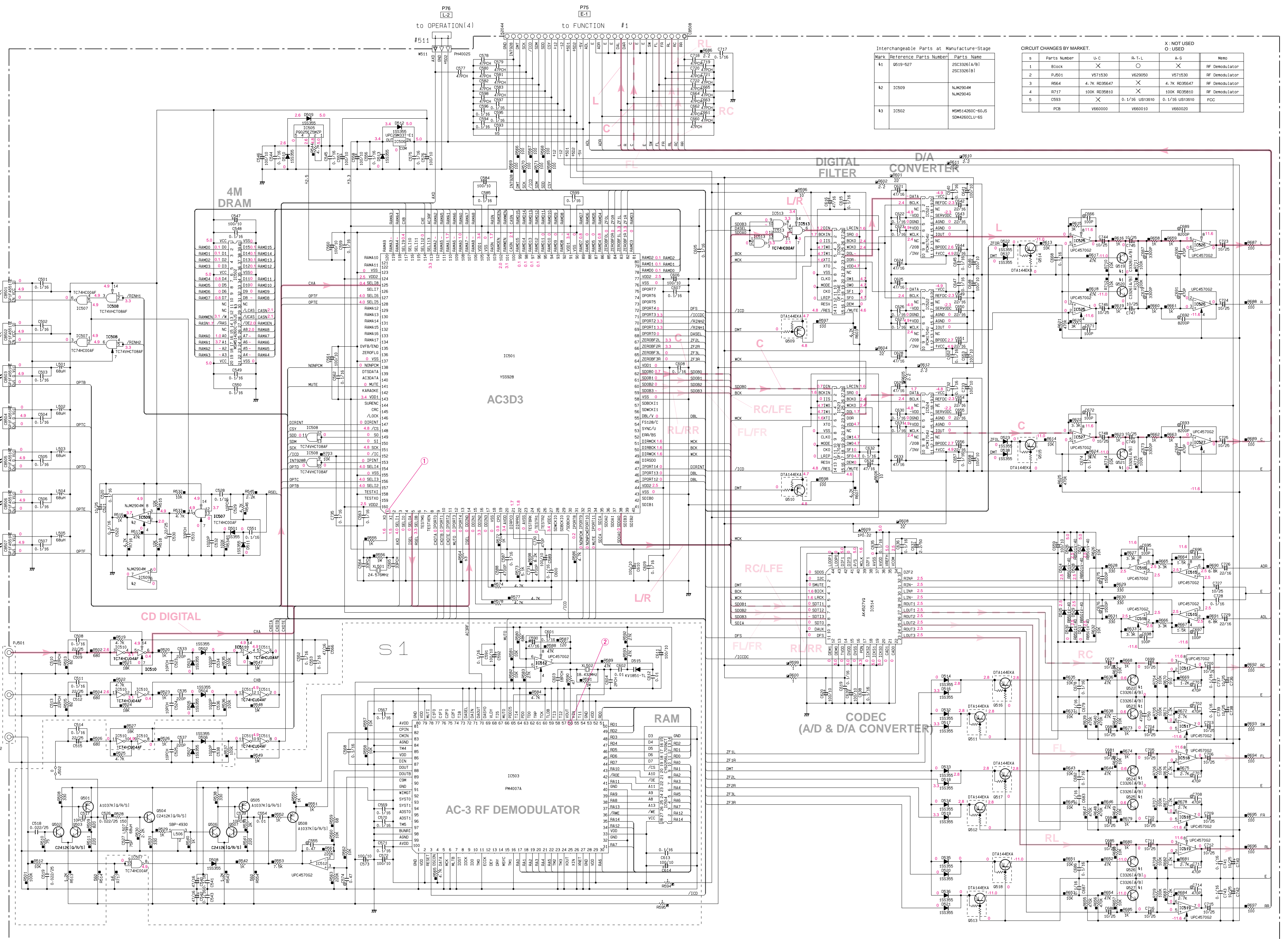
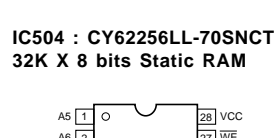
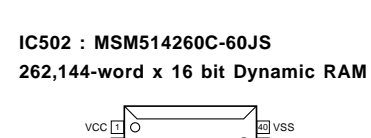
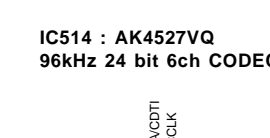
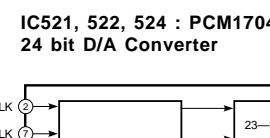
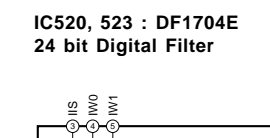
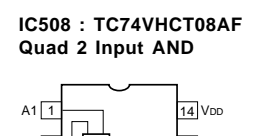
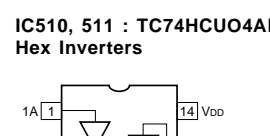
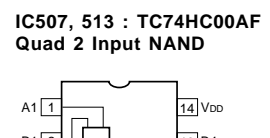
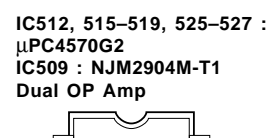
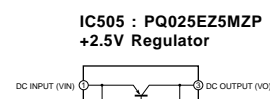
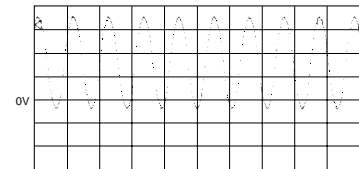


SCHEMATIC DIAGRAM (DSP)

Point ① (Pin 1 of IC501)
V : 2V/div, H : 50 nsec/div
DC, 1 : 1 probe



Point ② (Pin 56 of IC503)
V : 2V/div, H : 50 nsec/div
DC, 1 : 1 probe



Interchangeable Parts at Manufacture-Stage

Mark	Reference Parts Number	Parts Name
K1	9519-927	2SC3326(A/B) 2SC3326(B)
K2	IC509	NJM2904M NJM2904
K3	IC502	MSM514260C-60JS SDM4260CJU-65

CIRCUIT CHANGES BY MARKET

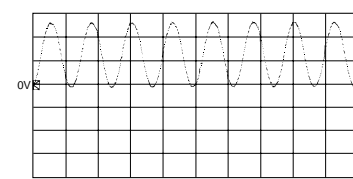
s	Parts Number	U-C	R-T-L	A-G	Memo
1	B501	X	○	X	RF Demodulator
2	F501	X	○	X	RF Demodulator
3	R564	4.7K R035647	X	4.7K R035647	RF Demodulator
4	R717	100K R035810	X	100K R035810	RF Demodulator
5	C593	X	0.1/16 UB13810	0.1/16 UB13810	FCC
	PCB	V660000	V660010	V660020	

X: NOT USED
○: USED

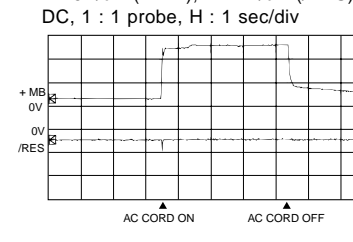
- Conditions
- INPUT: DVD auto
 - PROGRAM: PRO LOGIC DSP
 - All voltage are measured with a 10MΩ/V DC electric volt meter.
 - Components having special characteristics are marked Δ, and must be replaced with parts having specifications equal to those originally installed.
 - Schematic diagram is subject to change without notice.

SCHEMATIC DIAGRAM (FUNCTION)

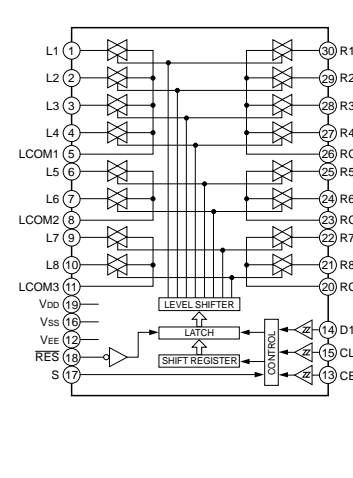
Point ③ (Pin 20 of IC26)
V: 2V/div, H: 50 nsec/div
DC, 1: 1 probe



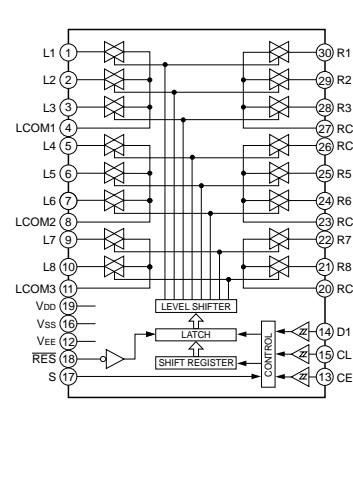
Point ④-A (+MB: Emitter of Q506)
Point ④-B (RES: Collector of Q507)
V: 5V/div (+MB), V: 1V/div (RES)
DC, 1: 1 probe, H: 1 sec/div



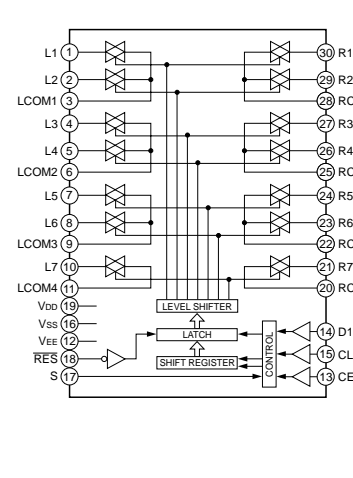
IC503, 512: LC78211 Analog Function Switch



IC502, 504: LC78212 Analog Function Switch

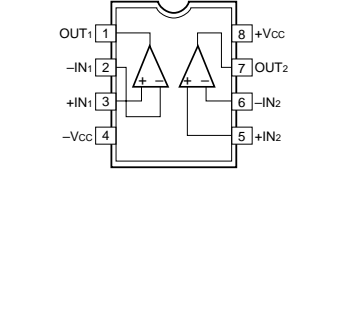


IC505, 522: LC78213 Analog Function Switch

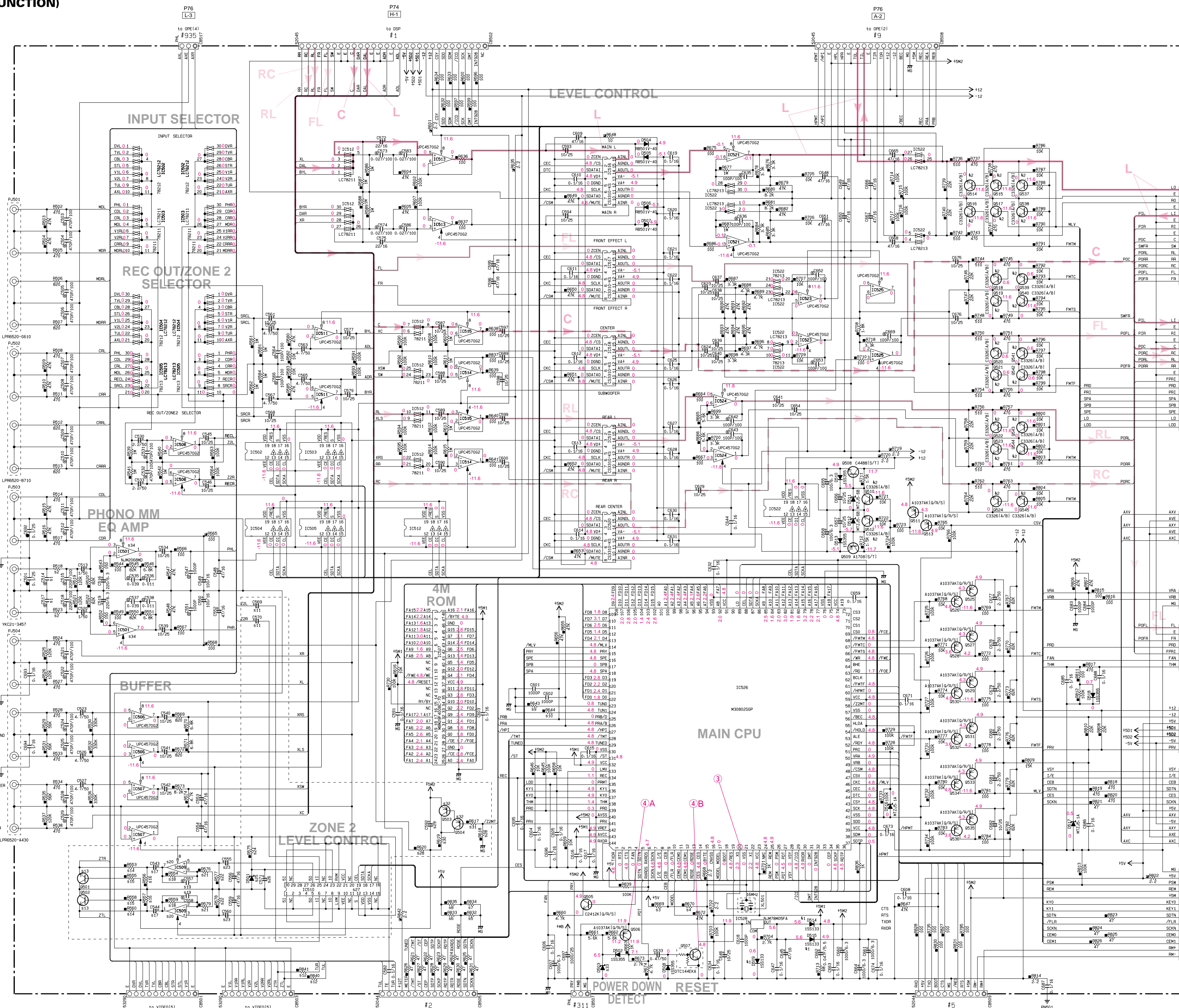
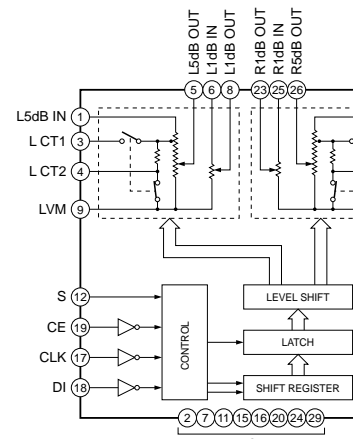


IC501: NJM2068MD-T1

IC506-509, 511, 513-515, 521, 523-525: μPC4570G2 Dual OP-Amp



IC510: LC7536-Y Electric Controlled Volume



CIRCUIT CHANGES BY MARKET. X: NOT USED

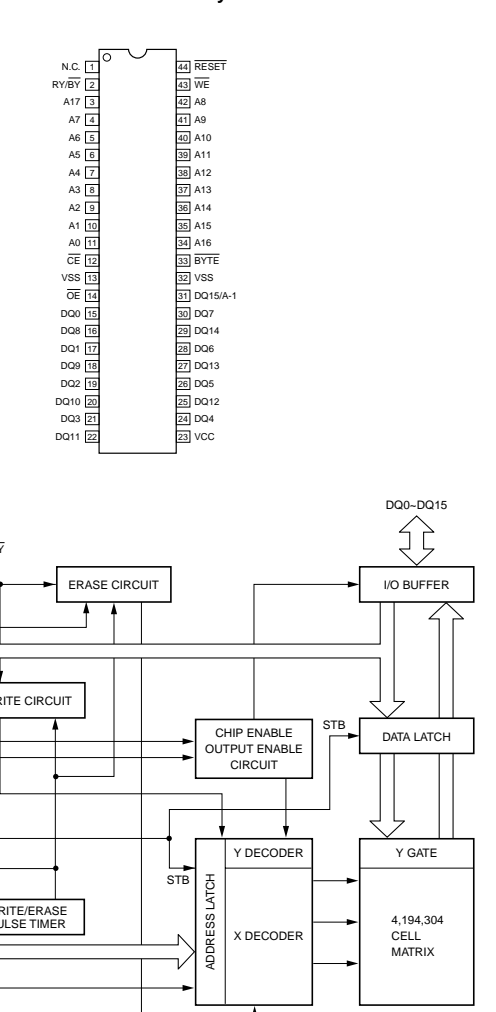
Table with 5 columns: Circuit No., U-C, R-T, A, and RES. It lists various components and their market availability for different regions.

Table with 5 columns: Circuit No., U-C, R-T, A, and RES. It lists various components and their market availability for different regions.

Other Parts
JY501-504, 505, 508-510 1477550
JY506-509 1477550
JY502-503-507 1477570
PN501-502 3759200
ST501 8807136

Interchangeable Parts at Manufacture Stage
Table with 3 columns: Mark, Reference Parts Number, and Parts Name.

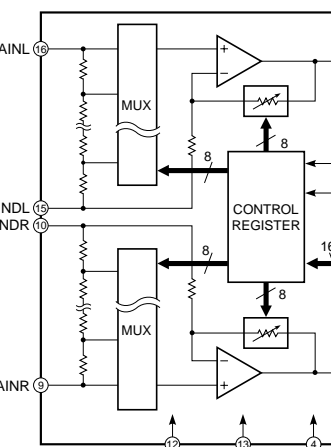
IC527: MBM29F400C-70 4M Bit Flash Memory



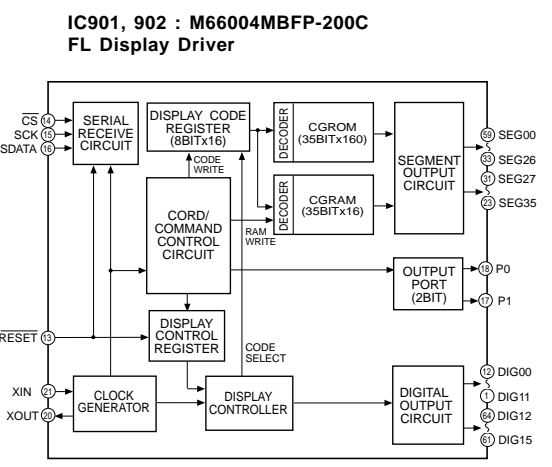
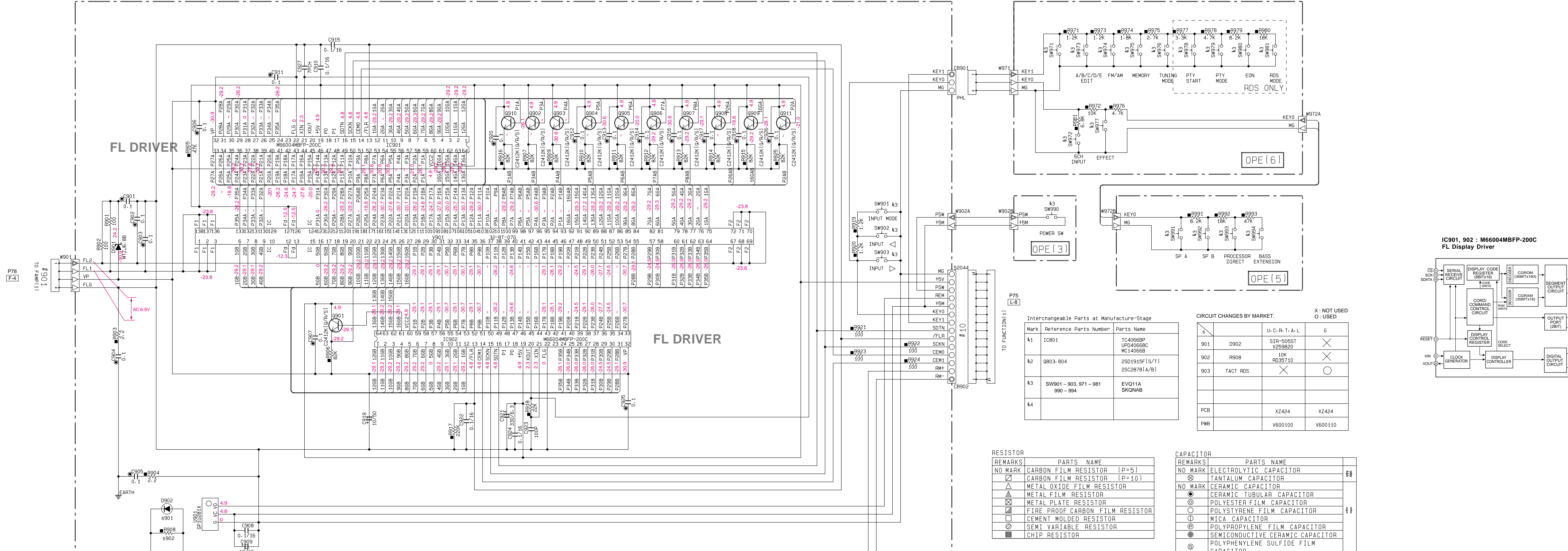
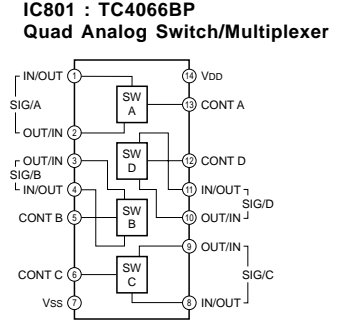
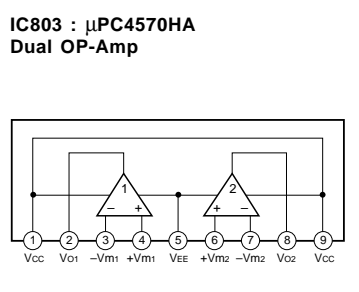
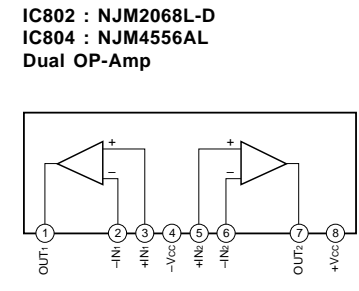
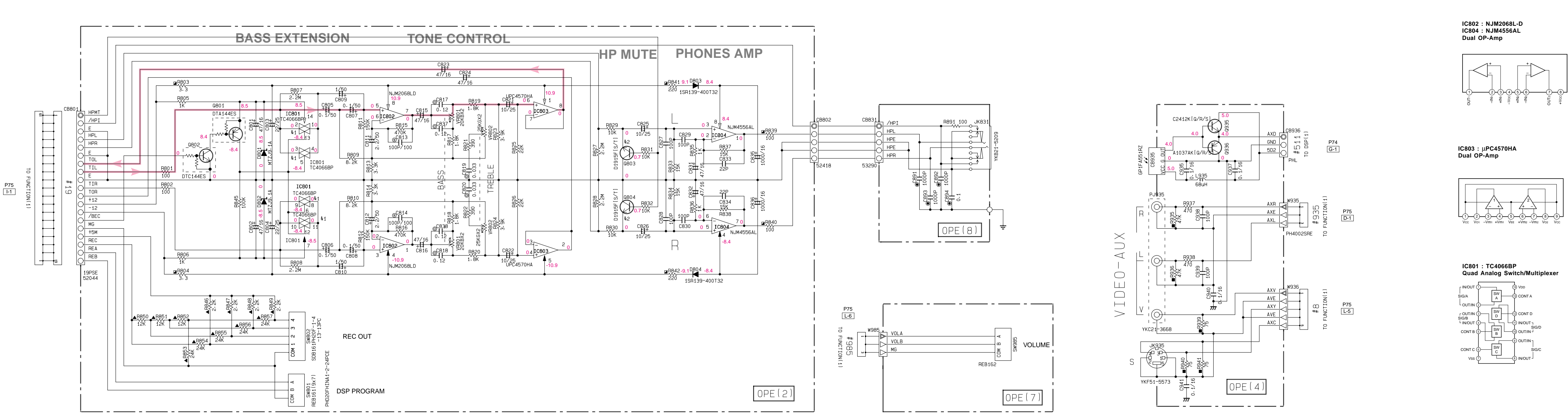
- Conditions
- INPUT: DVD auto
- PROGRAM: PRO LOGIC DSP

- All voltage are measured with a 10MΩ/V DC electric volt meter.
- Components having special characteristics are marked with a triangle and must be replaced with parts having specifications equal to those originally installed.
- Schematic diagram is subject to change without notice.

IC516-520: CS3310-KSR Stereo Digital Volume Control



■ SCHEMATIC DIAGRAM (OPERATION)



Interchangeable Parts at Manufacture-Stage

Mark	Reference Parts Number	Parts Name
K1	IC801	TC4066BP UP04666BC MC14066B
K2	G803-B04	2SD1915F(S/T1) 2SC2878(A/B)
K3	SW901-903, 971-981 990-994	EVO11A SKONAB
K4		

CIRCUIT CHANGES BY MARKET.

s	U-C-R-T-A-L	G	
901	D902	SUR-505ST V25B80	X
902	R908	10K RD36710	X
903	TACT RDS		○
PCB		XZ424	XZ424
PWB		V600100	V600110

RESISTOR

REMARKS	PARTS NAME
NO MARK	CARBON FILM RESISTOR [D=5]
□	CARBON FILM RESISTOR [D=10]
△	METAL OXIDE FILM RESISTOR
▲	METAL FILM RESISTOR
■	FIRE-PROOF CARBON FILM RESISTOR
□	CEMENT MOLDED RESISTOR
⊞	SEMI-VARIABLE RESISTOR
⊠	CHIP RESISTOR

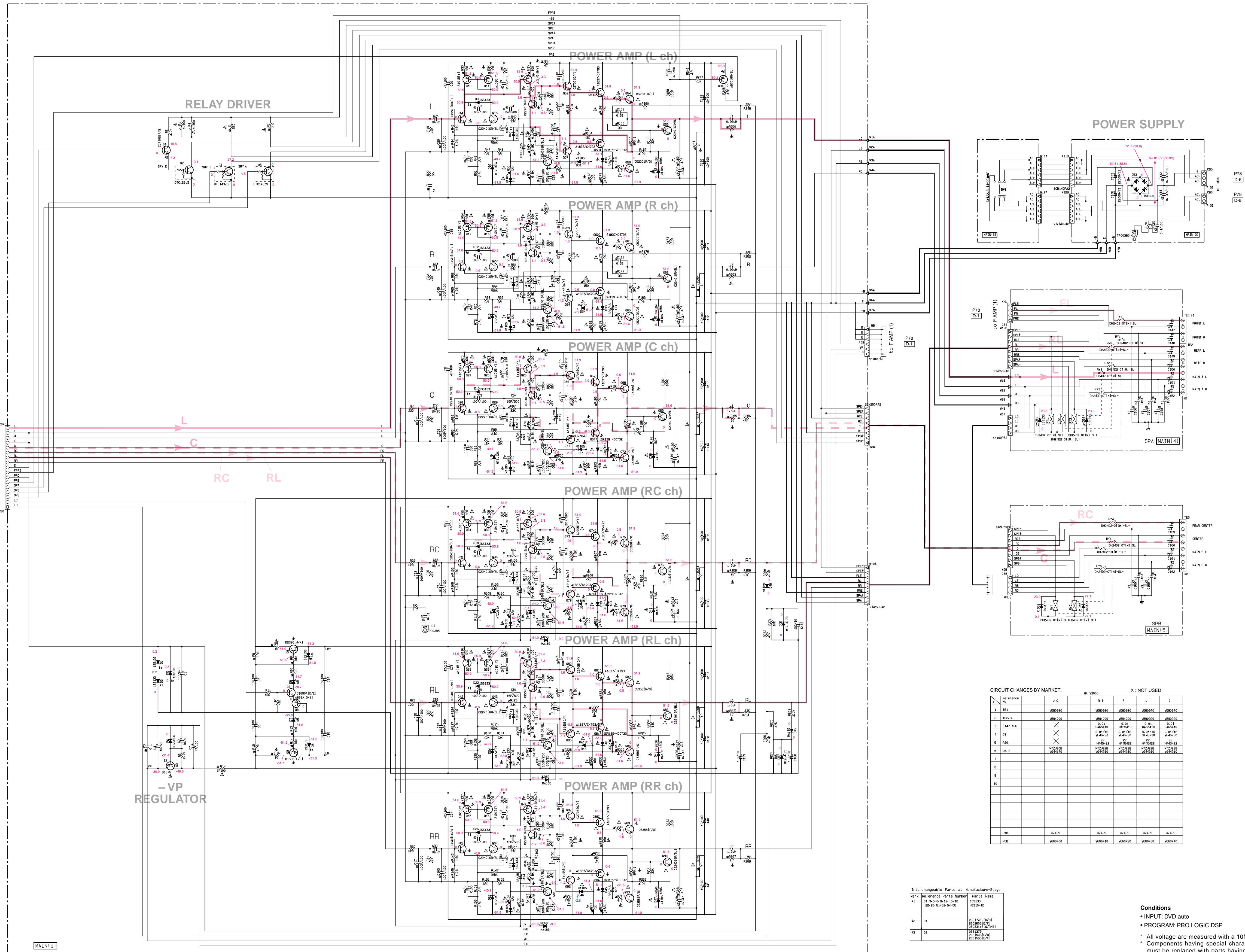
CAPACITOR

REMARKS	PARTS NAME
NO MARK	ELECTROLYTIC CAPACITOR
⊖	TANTALUM CAPACITOR
NO MARK	CERAMIC CAPACITOR
●	CERAMIC TUBULAR CAPACITOR
⊙	POLYESTER FILM CAPACITOR
○	POLYSTYRENE FILM CAPACITOR
⊕	MICA CAPACITOR
⊗	POLYPROPYLENE FILM CAPACITOR
⊙	SEMICONDUCTIVE CERAMIC CAPACITOR
⊗	POLYPHENYLENE SULFIDE FILM CAPACITOR

NOTICE (mode1)
 (J)..... JAPANESE
 (U)..... U.S.A
 (C)..... CANADIAN
 (R)..... GENERAL
 (A)..... AUSTRALIAN
 (B)..... BRITISH
 (G)..... EUROPEAN
 (L)..... CHINA
 (T)..... SINGAPORE

- Conditions
- INPUT: DVD auto
 - PROGRAM: PRO LOGIC DSP
 - All voltage are measured with a 10MΩ/V DC electric volt meter.
 - Components having special characteristics are marked with a triangle and must be replaced with parts having specifications equal to those originally installed.
 - Schematic diagram is subject to change without notice.

■ SCHEMATIC DIAGRAM (MAIN)



CIRCUIT CHANGES BY MARKET. X: NOT USED

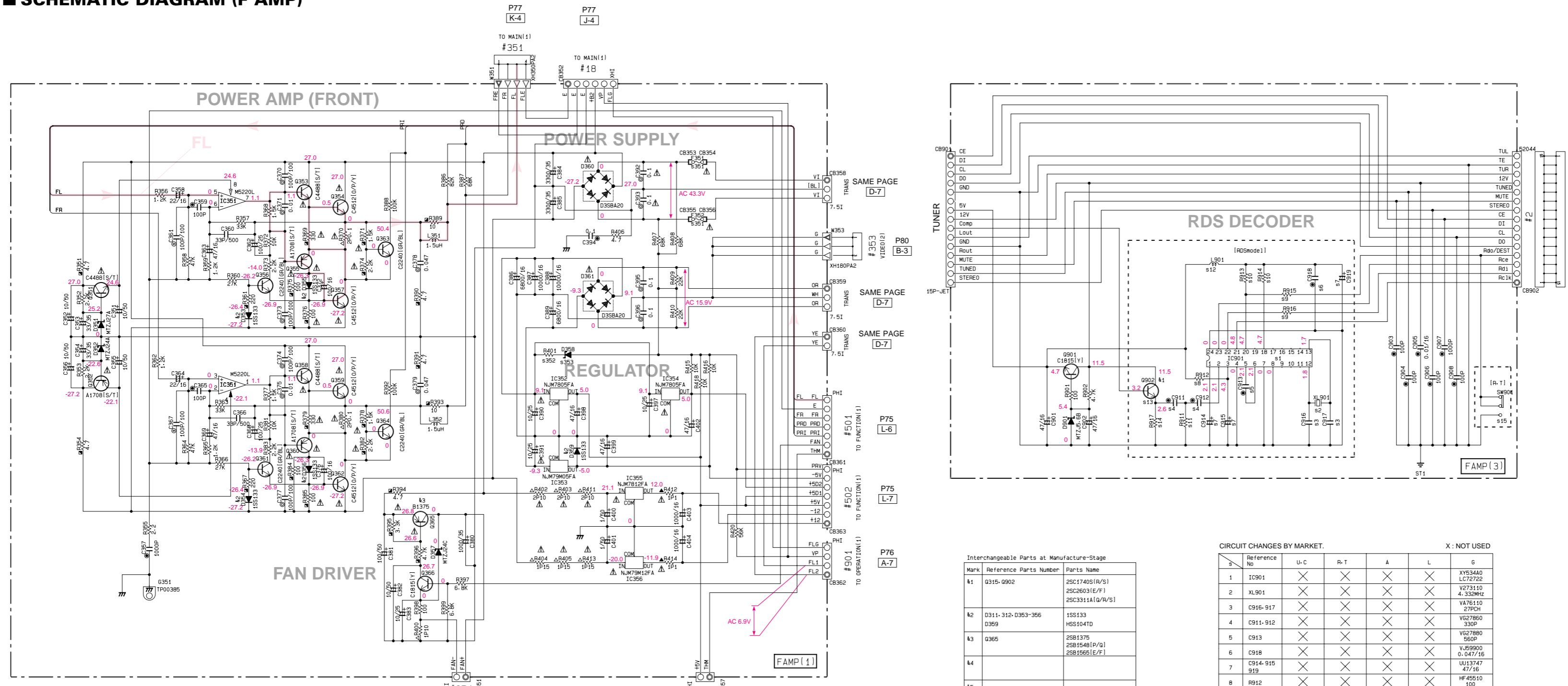
Reference No.	U-C	RX-V3000	S-T	A	L	S
1	TE1	V990980	V990980	V990970	V990970	
2	TE2-3	V991000	V991000	V990990	V990990	
3	C147-196			0.01	0.01	0.01
4	C9		0.01/16	0.01/16	0.01/16	0.01/16
5	R20		1/4W020	1/4W020	1/4W020	1/4W020
6	DS-7	WT2-0208	WT2-0208	WT2-0208	WT2-0208	WT2-0208
7		V64417B	V64417B	V64417B	V64417B	V64417B
8						
9						
10						
P80	X2429	X2429	X2429	X2429	X2429	X2429
PCB	V660400	V660410	V660420	V660430	V660440	

Interchangeable Parts at Manufacture-Stage

Part No.	Reference Part No.	Part Name
K1	20C142016/P1	100013
	20C142017/P1	100014
	20C142018/P1	100015
K2	20C142016/P1	100013
	20C142017/P1	100014
	20C142018/P1	100015

- Conditions**
- INPUT: DVD auto
 - PROGRAM: PRO LOGIC DSP
 - All voltage are measured with a 10M Ω /V DC electric volt meter.
 - Components having special characteristics are marked Δ and must be replaced with parts having specifications equal to those originally installed.
 - Schematic diagram is subject to change without notice.

SCHEMATIC DIAGRAM (F AMP)



Interchangeable Parts at Manufacture-Stage

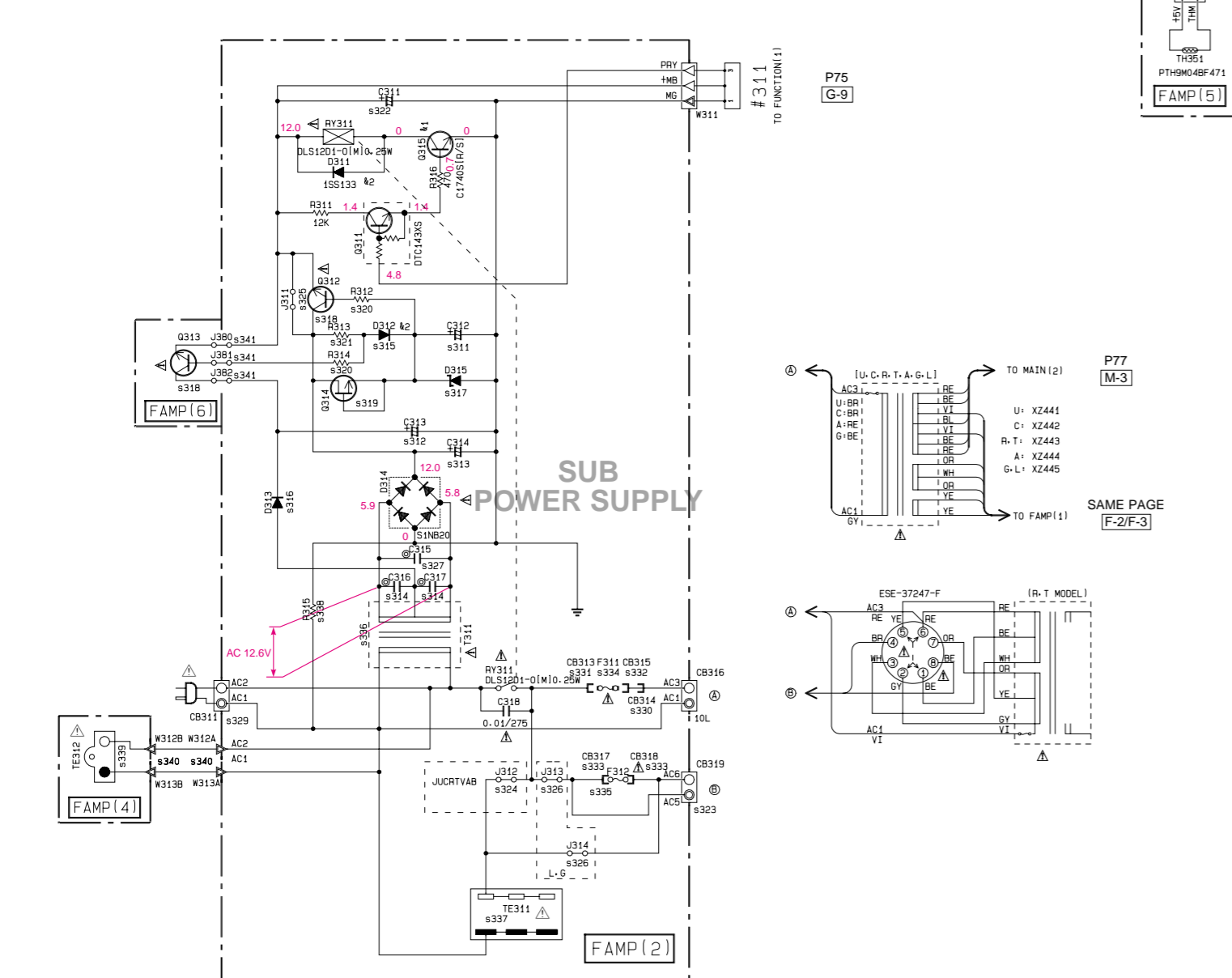
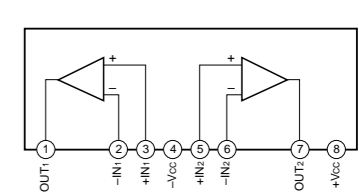
Mark	Reference Parts Number	Parts Name
K1	0315-0902	2SC1740S(R/S) 2SC2603(E/F) 2SC3311(I/G/R/S)
K2	0311-312-0363-356 0369	1SS133 HSS104TD
K3	0365	2SB1375 2SB1548(P/G) 2SB1965(E/F)
K4		
K5		

CIRCUIT CHANGES BY MARKET

Mark	Reference No	U-C	R-T	A	L	G
1	IC901	X			X	YV53440 LC72722
2	XL901	X	X	X	X	V273140 4-330MHz
3	C916-947	X	X	X	X	VA76110 27PCH
4	C911-912	X	X	X	X	V627860 330P
5	C913	X	X	X	X	V627860 560P
6	C918	X	X	X	X	VJ59900 0.047/16
7	C914-915 919	X	X	X	X	UJ13747 47/16
8	R912	X	X	X	X	HF45510 10K
9	R915-916	X	X	X	X	HF45547 470
10	R913-914	X	X	X	X	HF45710 10K
11	R911	X	X	X	X	HF45722 20K
12	L901	X	X	X	X	V154610 200µH
13	9902	X	X	X	X	IC17402 C1740S(R/S)
14	R917	X	X	X	X	HF45633 3.3K
15	SW901	X	X	X	X	VF54120

X: NOT USED

IC351 : M5220L Dual OP-Amp



CIRCUIT CHANGES BY MARKET

Reference No	U-C	R-T	A	L	G
311	C312	X	UJ14710 10/25	X	X
312	C313	X	UJ16710 10/50	X	X
313	C314	X	UJ19747 47/500	X	X
314	C316-317	X	0.01 V171670	X	X
315	D312	X	TP0460 1SS133	X	X
316	D313	X	VJ26410 SBL39-40013Z	X	X
317	D315	X	VJ43990 MT2151B	X	X
318	D312-313	X	VF0180 D23961(J/K)	X	X
319	D314	X	IE10262 K3461(V)	X	X
320	R312-314	X	HF45510 100	X	X
321	R313	X	HF45710 10K	X	X
322	C311	X	UJ14710 10/25	UJ14710 10/25	UJ14710 10/25
323	CB319	X	LA0244 10K	X	X
324	J912	O	O	O	X
325	J911	O	X	O	O
326	J913-314	X	X	X	O
327	C315	O	0.01 V171670	0.01 V171670	0.01 V171670
328					
329	CB311	X	V87990 V87990	X	X
330	CB314	X	V99610 V99610	X	X
331	CB313	X	V99610 V99610	VP20650 VP20650	VP20650 VP20650
332	CB315	X	X	VP20650 VP20650	VP20650 VP20650
333	CB317-318	X	VP20650 VP20650	VP20650 VP20650	VP20650 VP20650
334	F311	X	K800139 10A250V	K800078 T5AL250	K800078 T5AL250
335	F312	X	K800078 T5AL250V	VF4290 T2-5A/250V	VF4290 T2-5A/250V
336	F311	X	X2228 X2229	X2231 X2231	X2231 X2231
337	TE311	X	V11880 SP-7631-212	V191500 SP-7731-210	V11900 SP-7631-212
338	R315	X	K200511 1/2P2-2M	X	X
339	TE312	X	V65120 M190B-C	V65120 M190B-C	V656120 M190B-C
340	*312-313	X	V656950 V656950	X	X
341	J380-382	X	O	X	X
342					
351	F391-392	X	5A 125V K800364	5A 250V K800324	5A 250V K800324
352	R401	X	1K HF45510	X	X
353	D398	X	MT2159 V6440B	X	X
901	RDS MODEL	X	X	X	O

X: NOT USED
O: USED

REMARKS

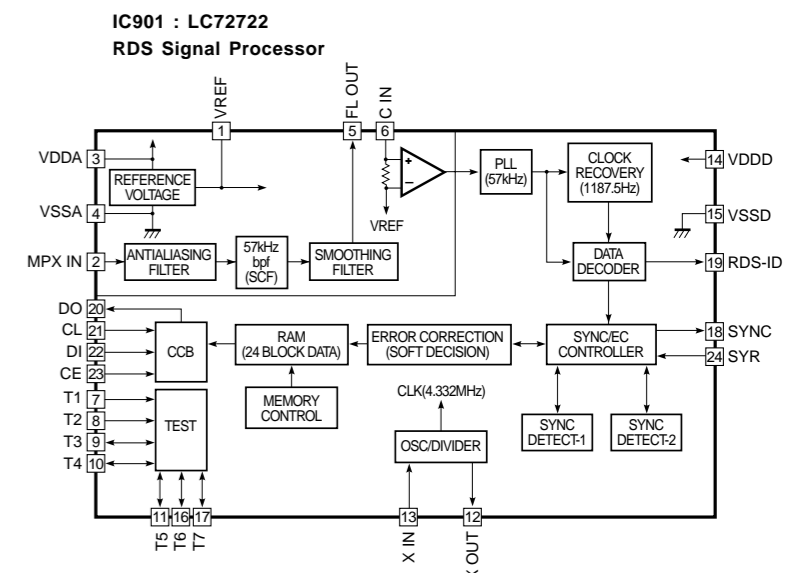
REMARKS	PARTS NAME
NO MARK	ELECTROLYTIC CAPACITOR
NO MARK	TANTALUM CAPACITOR
NO MARK	CERAMIC CAPACITOR
⊙	CERAMIC TUBULAR CAPACITOR
⊙	POLYESTER FILM CAPACITOR
⊙	POLYSTYRENE FILM CAPACITOR
⊙	MICA CAPACITOR
⊙	POLYPROPYLENE FILM CAPACITOR
⊙	SEMICONDUCTIVE CERAMIC CAPACITOR
⊙	POLYPHENYLENE SULFIDE FILM CAPACITOR

REMARKS

REMARKS	PARTS NAME
NO MARK	CARBON FILM RESISTOR (P=5)
NO MARK	CARBON FILM RESISTOR (P=10)
⊙	METAL OXIDE FILM RESISTOR
⊙	METAL FILM RESISTOR
⊙	METAL PLATE RESISTOR
⊙	FINE PROOF CARBON FILM RESISTOR
⊙	CEMENT MOLDED RESISTOR
⊙	SEMI VARIABLE RESISTOR
■	CHIP RESISTOR

NOTICE (model)

(J)..... JAPANESE
(U)..... U.S.A
(C)..... CANADIAN
(R)..... GENERAL
(A)..... AUSTRALIAN
(B)..... BRITISH
(G)..... EUROPEAN
(T)..... CHINA
(L)..... SINGAPORE

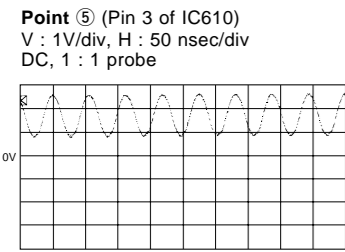


Conditions

- INPUT: DVD auto
- PROGRAM: PRO LOGIC DSP

All voltage are measured with a 10MΩ/DC electric volt meter.
Components having special characteristics are marked Δ and must be replaced with parts having specifications equal to those originally installed.
Schematic diagram is subject to change without notice.

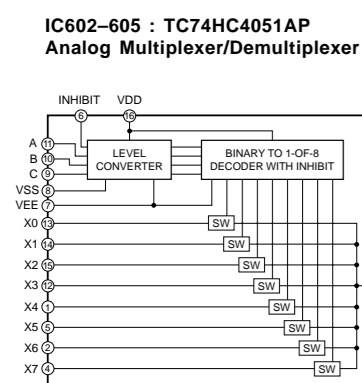
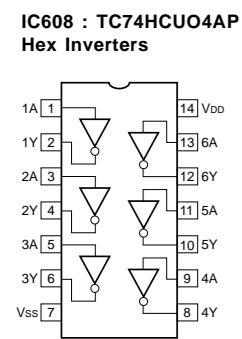
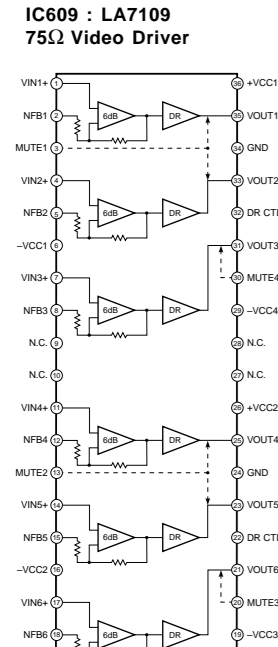
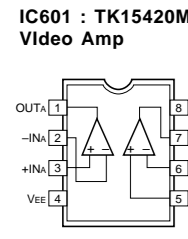
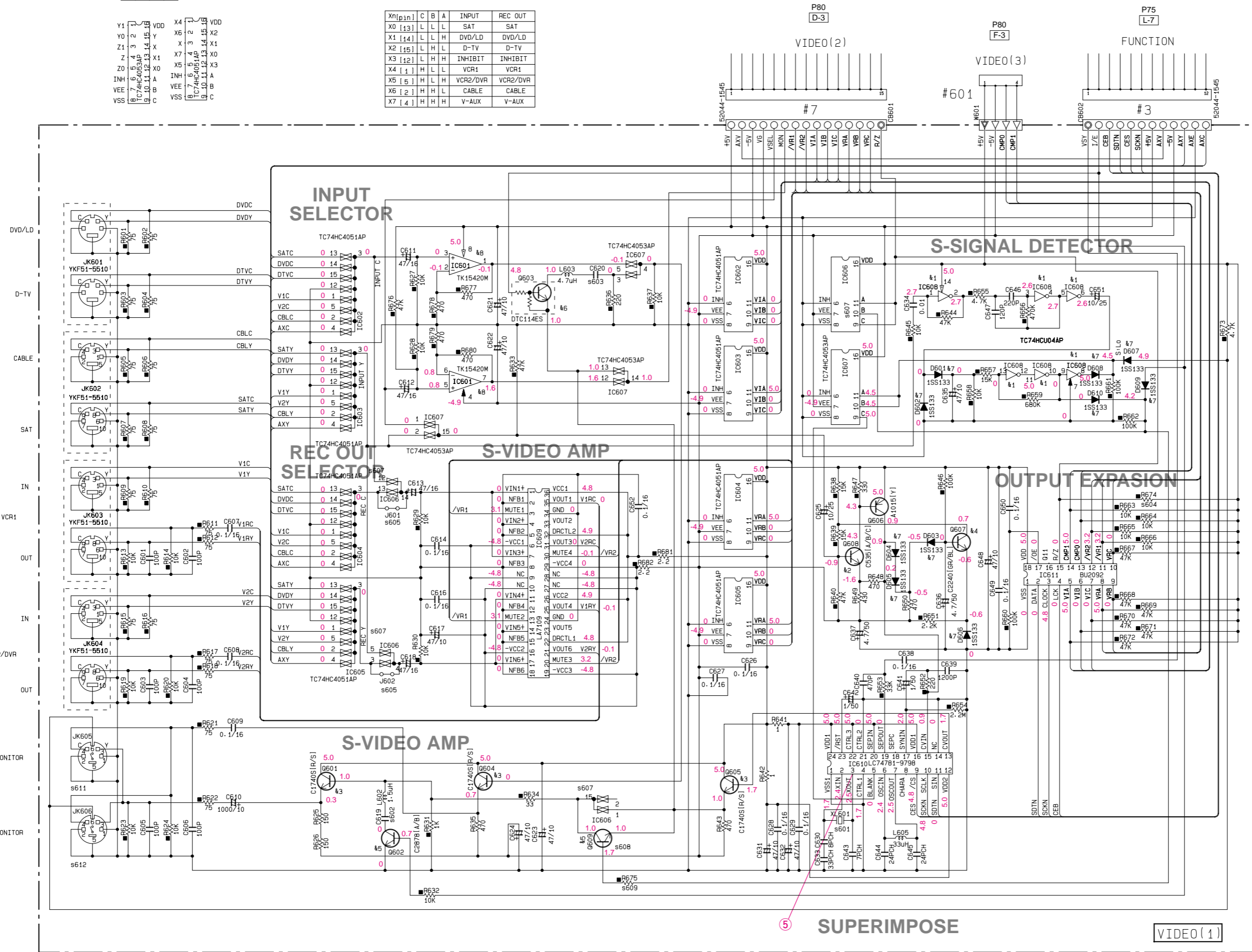
SCHEMATIC DIAGRAM (VIDEO 1/2)



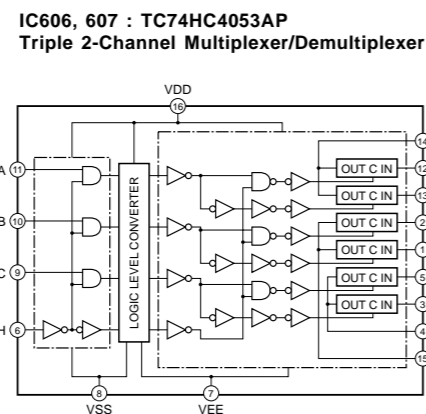
C	B	A
H	Z	Y
L	X	0

Y1	Y2	Y3	Y4	Y5	Y6	Y7	Y8	Y9	Y10	Y11	Y12	Y13	Y14	Y15	Y16	Y17	Y18	Y19	Y20	Y21	Y22	Y23	Y24	Y25	Y26	Y27	Y28	Y29	Y30	Y31	Y32	Y33	Y34	Y35	Y36	Y37	Y38	Y39	Y40	Y41	Y42	Y43	Y44	Y45	Y46	Y47	Y48	Y49	Y50	Y51	Y52	Y53	Y54	Y55	Y56	Y57	Y58	Y59	Y60	Y61	Y62	Y63	Y64	Y65	Y66	Y67	Y68	Y69	Y70	Y71	Y72	Y73	Y74	Y75	Y76	Y77	Y78	Y79	Y80	Y81	Y82	Y83	Y84	Y85	Y86	Y87	Y88	Y89	Y90	Y91	Y92	Y93	Y94	Y95	Y96	Y97	Y98	Y99	Y100
----	----	----	----	----	----	----	----	----	-----	-----	-----	-----	-----	-----	-----	-----	-----	-----	-----	-----	-----	-----	-----	-----	-----	-----	-----	-----	-----	-----	-----	-----	-----	-----	-----	-----	-----	-----	-----	-----	-----	-----	-----	-----	-----	-----	-----	-----	-----	-----	-----	-----	-----	-----	-----	-----	-----	-----	-----	-----	-----	-----	-----	-----	-----	-----	-----	-----	-----	-----	-----	-----	-----	-----	-----	-----	-----	-----	-----	-----	-----	-----	-----	-----	-----	-----	-----	-----	-----	-----	-----	-----	-----	-----	-----	-----	-----	-----	------

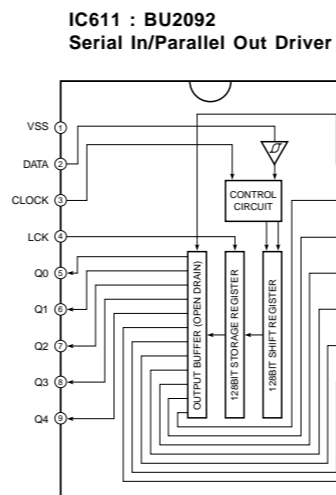
Xn[pin]	C	B	A	INPUT	REC OUT
X0 [13]	L	L	L	SAT	SAT
X1 [14]	L	H	H	DVD/LD	DVD/LD
X2 [15]	L	H	L	D-TV	D-TV
X3 [12]	L	H	H	INHIBIT	INHIBIT
X4 [1]	H	L	L	VCR1	VCR1
X5 [6]	H	L	H	VCR2/DVR	VCR2/DVR
X6 [2]	H	L	H	CABLE	CABLE
X7 [4]	H	H	H	V-AUX	V-AUX



INPUT STATES	ON CHANNEL (S)
0 0 0 0	0
0 0 0 1	1
0 0 1 0	2
0 0 1 1	3
0 1 0 0	4
0 1 0 1	5
0 1 1 0	6
0 1 1 1	7
1 X X X	NONE



INHIBIT	C	B	A	0X (Pin 10)	0Z (Pin 9)	0Y (Pin 8)
L	L	L	L	1X (Pin 13)	1Y (Pin 11)	1Z (Pin 3)
L	L	L	H	2X	2Y	2Z
L	L	H	L	3X	3Y	3Z
L	L	H	H	4X	4Y	4Z
L	H	L	L	5X	5Y	5Z
L	H	L	H	6X	6Y	6Z
L	H	H	L	7X	7Y	7Z
L	H	H	H	8X	8Y	8Z
H	-	-	-	9X	9Y	9Z



RESISTOR

REMARKS	PARTS NAME
NO MARK	CARBON FILM RESISTOR (P=5)
□	CARBON FILM RESISTOR (P=10)
△	METAL OXIDE FILM RESISTOR
▲	METAL FILM RESISTOR
■	METAL PLATE RESISTOR
⊠	FIRE PROOF CARBON FILM RESISTOR
⊞	CEMENT MOLDED RESISTOR
⊚	SEMI VARIABLE RESISTOR
⊛	CHIP RESISTOR

CAPACITOR

REMARKS	PARTS NAME
NO MARK	ELECTROLYTIC CAPACITOR
⊗	TANTALUM CAPACITOR
NO MARK	CERAMIC CAPACITOR
⊙	CERAMIC TUBULAR CAPACITOR
○	POLYESTER FILM CAPACITOR
⊖	POLYSTYRENE FILM CAPACITOR
⊕	MICA CAPACITOR
⊚	POLYPROPYLENE FILM CAPACITOR
⊛	SEMICONDUCTIVE CERAMIC CAPACITOR
⊜	POLYPHENYLENE SULFIDE FILM CAPACITOR

NOTICE (mode1)
 (J)..... JAPANESE
 (U)..... U. S. A
 (C)..... CANADIAN
 (R)..... GENERAL
 (A)..... AUSTRALIAN
 (B)..... BRITISH
 (G)..... EUROPEAN
 (T)..... CHINA
 (L)..... SINGAPORE

Interchangeable Parts at Manufacture-Stage

Mark	Reference Parts Number	Parts Name
k1	IC608	IC74HC04AP SN74HC04N MC74HC04N
k2	6068	25C5351A/B/C1 25C18091N/P1
k3	6061-604-605-701	25C17403[R/S] 25C2603[E/A] 25C3314[A/R/S]
k4	6067	25C2240[GR/BL] 25C2909[S/T1]
k5	6062-609	25C2878[A/B] 25D1919F[S/T1]
k6	6063	DT114ES UN4211 DT114ESA
k7	D601-602-603-604-605-606-607-608-609-610-951	15S133 HSS104TD
k8	IC601	TK15420M AD6058AR
k9		
k10		
k11		
k12		

CIRCUIT CHANGES BY MARKET. X : NOT USED

s	Parts Number	U-C-R-T	A-L	G
601	XL601	14.31818MHz V934999	17.734475MHz V934999	17.734475MHz V934999
602	C619	1500P US06315	820P US06282	820P US06282
603	C620	390P US06329	270P US06327	270P US06327
604	R674	47K RD35747	47K RD35747	X
605	J601-602	X	X	RD35000
606				
607	IC606	TC74HC4053AP IR40530	TC74HC4053AP IR40530	X
608	6069	X	X	C28781A/B1 IC28782
609	R675	X	X	10K RD35710
610				
611	JK605	X	X	YKFB1-5507 V956040
612	JK606	YKFB1-5507 V956040	YKFB1-5507 V956040	X
701				
702	R713	75 RD35475	75 RD35475	X
703	R714	10K RD35710	10K RD35710	X
704	C704	100P US06210	100P US06210	X
705	C711	4710 UR62747	4710 UR62747	X
706	IC704	TC74HC4053AP IR40530	TC74HC4053AP IR40530	X
707	J703	X	X	RD35000
708	R579, 682	470 HF45547	470 HF45547	X
709	C567, 568	470P/100 LP65247	470P/100 LP65247	X
710	PJ705	YK21-3111 VJ69590	YK21-3111 VJ69590	YK21-3165 YH11010
711	J701	X	X	YM60000
712	J702	YM60000	YM60000	X
751				
752				
753				
754				
755				
551				
952	PJ554	LP66520-9720 V385610	LP66520-9720 V385610	LP66520-9610 V385660
951	JK951-952-953	VJ72680	VJ72680	X
952	D951	15S133 IF00460	15S133 IF00460	X
953	R958	IP100 YP94040	IP100 YP94040	X

Conditions
 • INPUT: DVD auto
 • PROGRAM: PRO LOGIC DSP
 * All voltage are measured with a 10MΩ/V DC electric volt meter.
 * Components having special characteristics are marked △ and must be replaced with parts having specifications equal to those originally installed.
 * Schematic diagram is subject to change without notice.

SCHEMATIC DIAGRAM (VIDEO 2/2)

RESISTOR

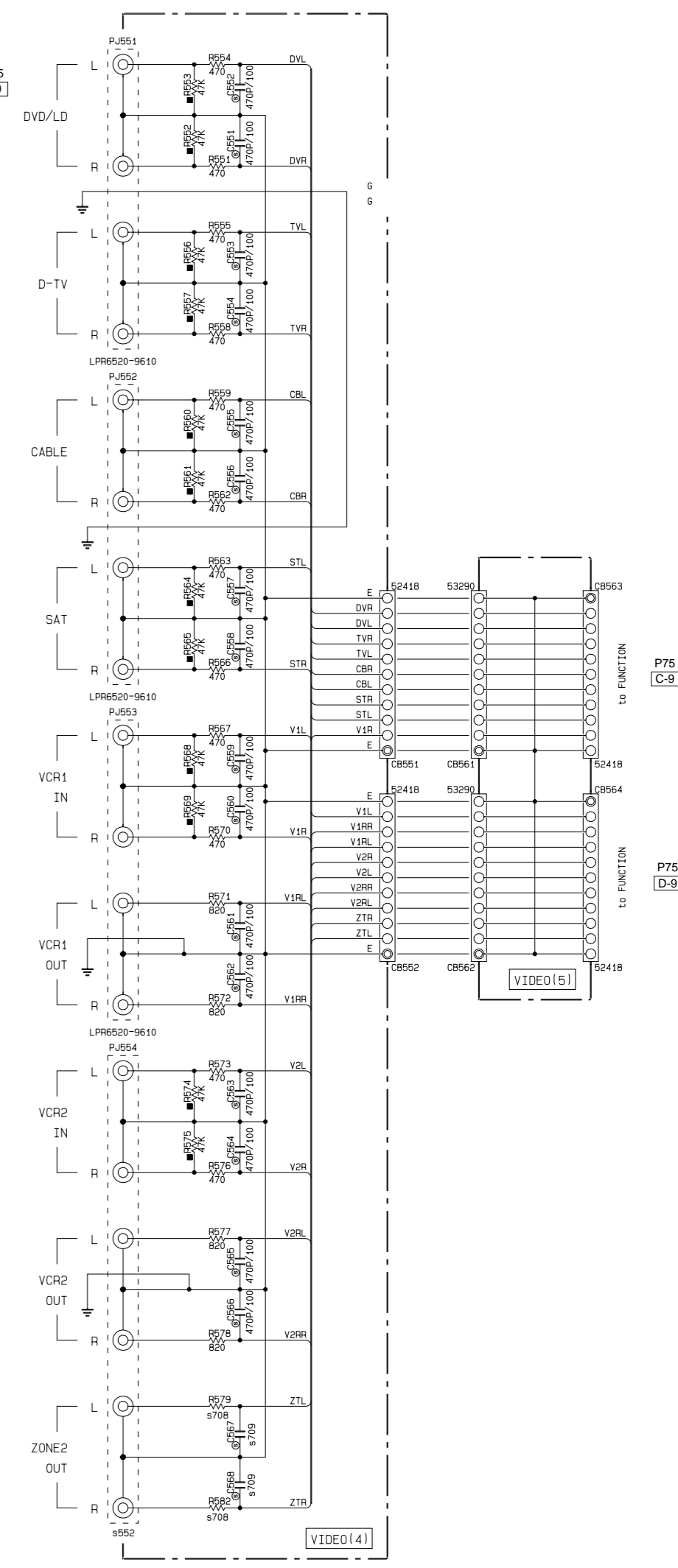
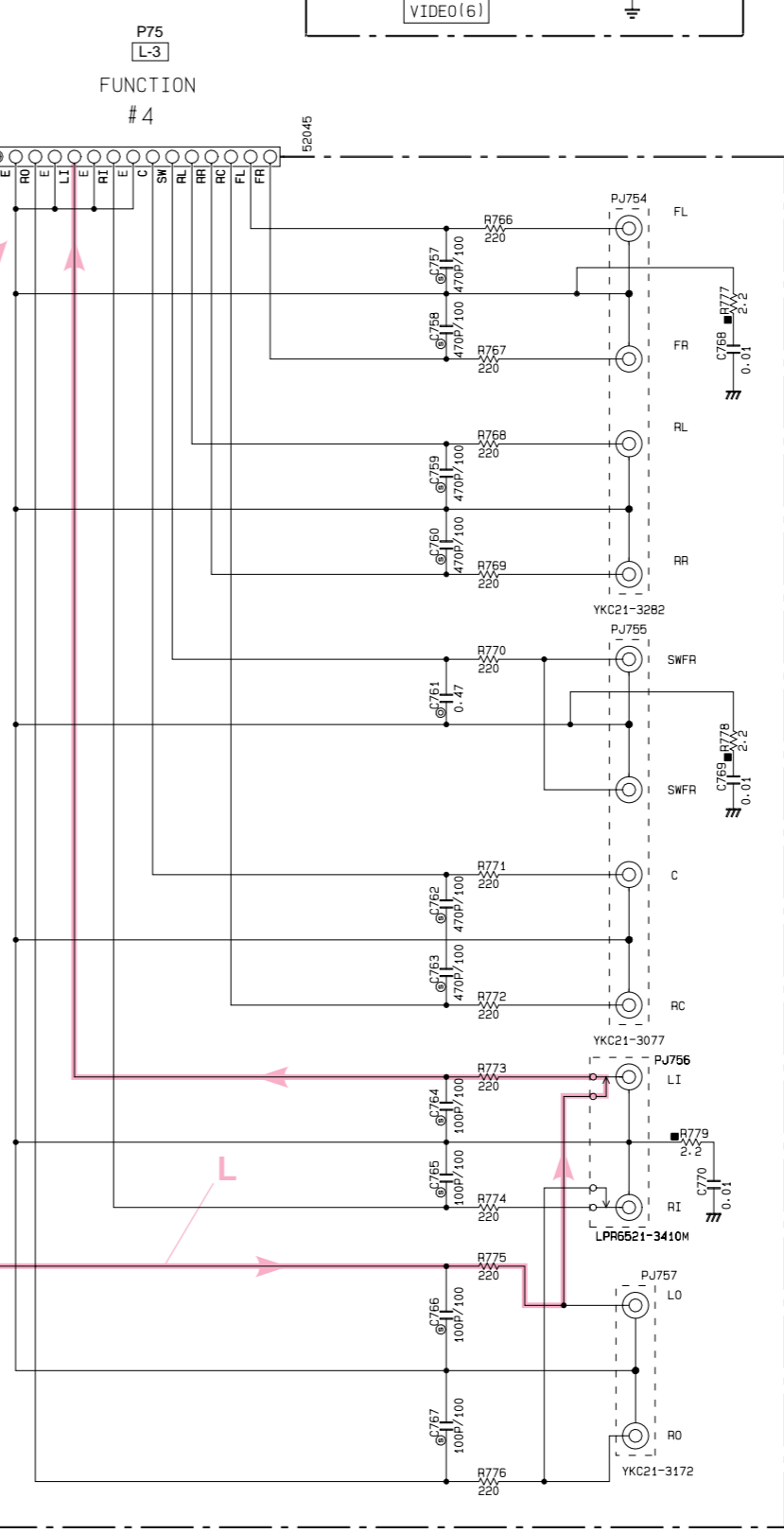
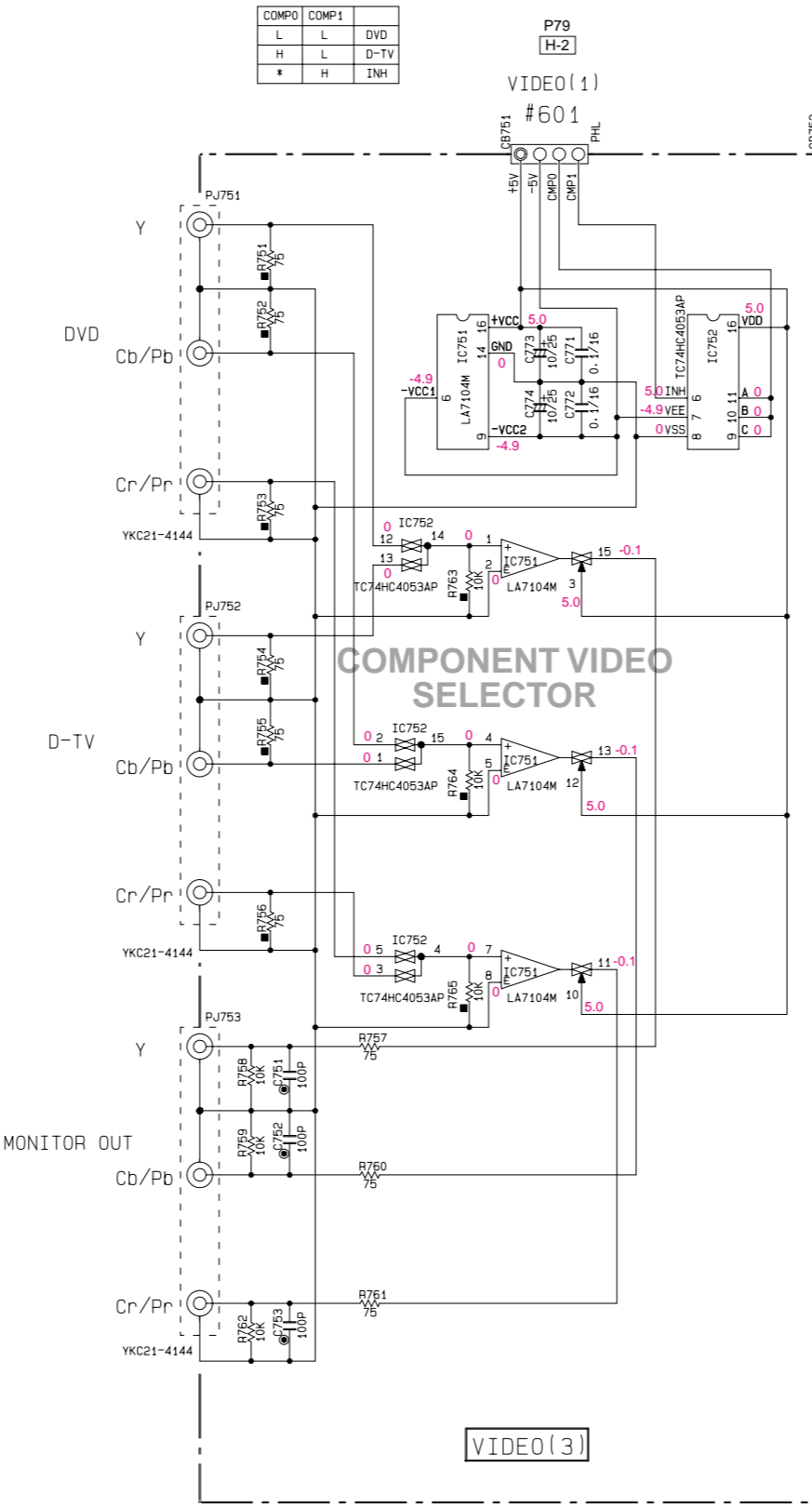
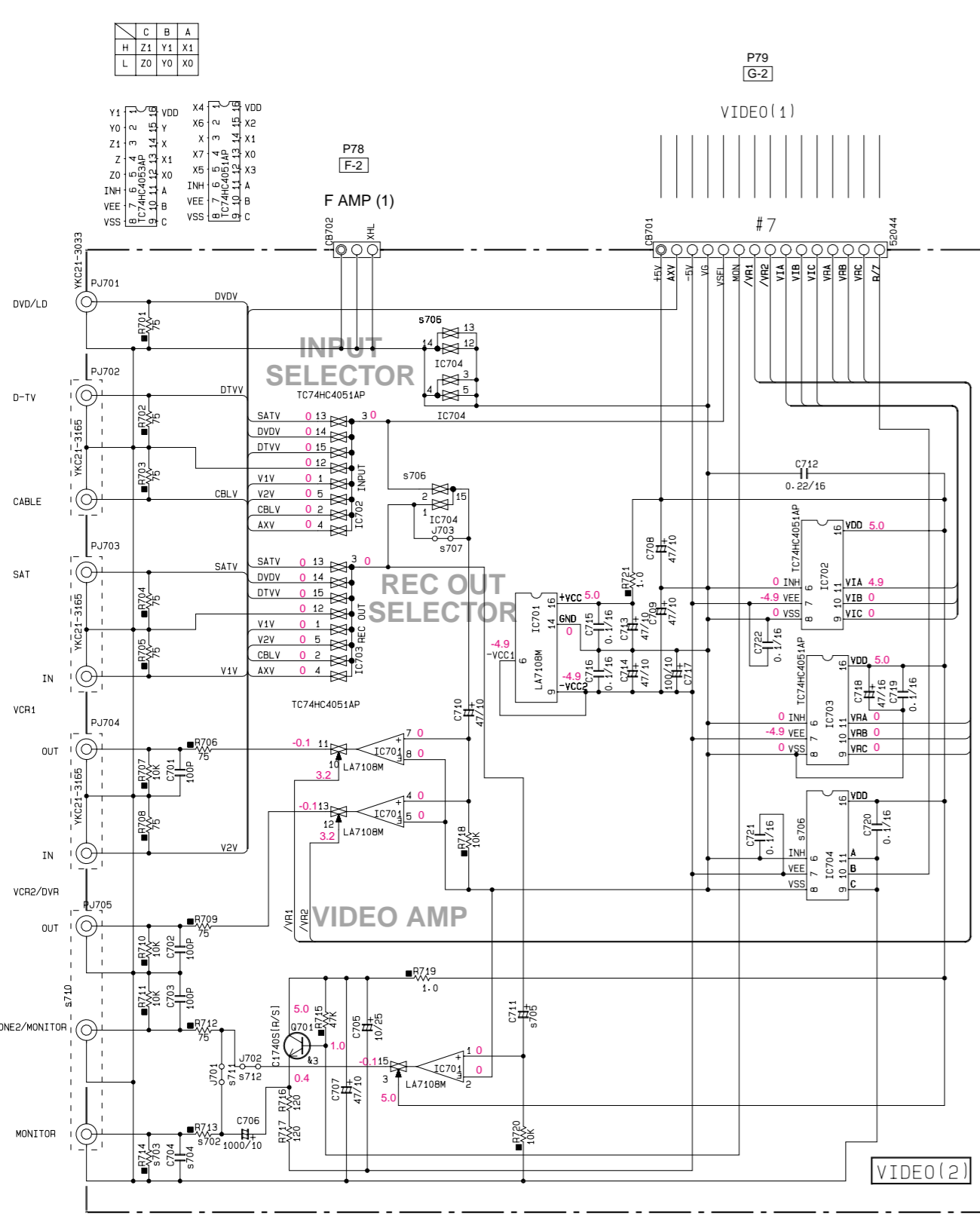
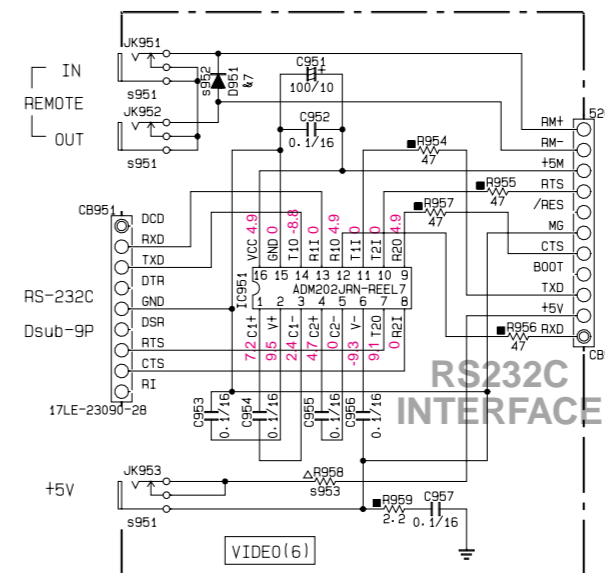
REMARKS	PARTS NAME
NO MARK	CARBON FILM RESISTOR (P=5)
□	CARBON FILM RESISTOR (P=10)
△	METAL OXIDE FILM RESISTOR
◇	METAL FILM RESISTOR
■	METAL PLATE RESISTOR
▨	FIRE PROOF CARBON FILM RESISTOR
▩	CEMENT MOLDED RESISTOR
⊠	SEMI VARIABLE RESISTOR
⊡	CHIP RESISTOR

CAPACITOR

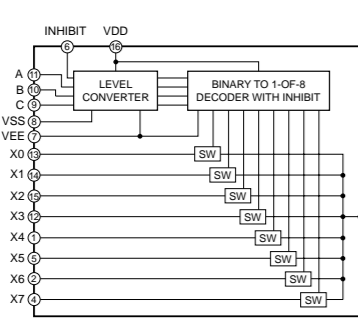
REMARKS	PARTS NAME
NO MARK	ELECTROLYTIC CAPACITOR
□	TANTALUM CAPACITOR
NO MARK	CERAMIC CAPACITOR
⊙	CERAMIC TUBULAR CAPACITOR
⊗	POLYESTER FILM CAPACITOR
○	POLYSTYRENE FILM CAPACITOR
⊕	MICA CAPACITOR
⊖	POLYPROPYLENE FILM CAPACITOR
⊙	SEMICONDUCTIVE CERAMIC CAPACITOR
⊗	POLYPHENYLENE SULFIDE FILM CAPACITOR

NOTICE (mode1)
 (J)..... JAPANESE
 (U)..... U.S.A
 (C)..... CANADIAN
 (R)..... GENERAL
 (A)..... AUSTRALIAN
 (B)..... BRITISH
 (G)..... EUROPEAN
 (T)..... CHINA
 (L)..... SINGAPORE

Xn[pin]	C	B	A	INPUT	REC OUT
X0 [13]	L	L	L	SAT	SAT
X1 [14]	L	L	H	DVD/LD	DVD/LD
X2 [15]	L	H	L	D-TV	D-TV
X3 [12]	L	H	H	INHIBIT	INHIBIT
X4 [11]	H	L	L	VCR1	VCR1
X5 [6]	H	L	H	VCR2/DVR	VCR2/DVR
X6 [2]	H	H	L	CABLE	CABLE
X7 [4]	H	H	H	V-AUX	V-AUX

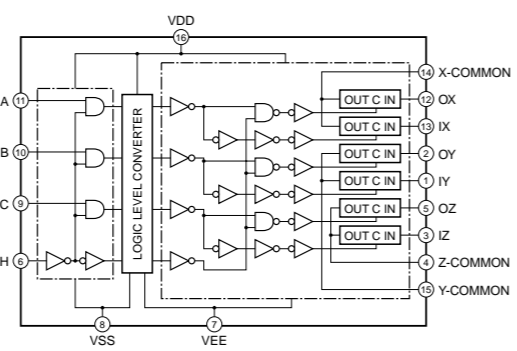


IC702, 703 : TC74HC4051AP Analog Multiplexer/Demultiplexer



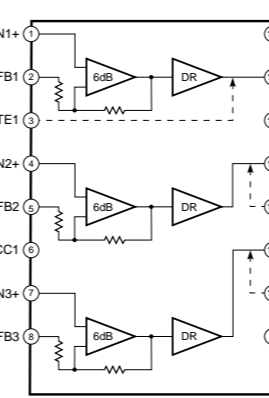
INPUT STATES	'ON' CHANNEL (S)
INHIBIT C B A	
0 0 0 0	1
0 0 0 1	2
0 0 1 0	3
0 0 1 1	4
0 1 0 0	5
0 1 0 1	6
0 1 1 0	7
0 1 1 1	8
1 X X X	NONE

IC704, 752 : TC74HC4053AP Triple 2-Channel Multiplexer/Demultiplexer

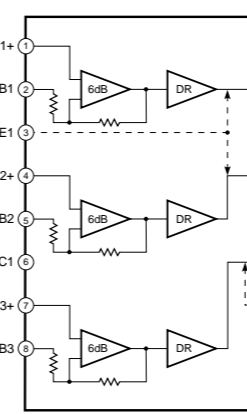


CONTROL INPUTS	'ON' CHANNEL
INHIBIT C B A	0X (Pin 12), 0Y (Pin 2), 0Z (Pin 5)
0 0 0 0	0X, 0Y, 0Z
0 0 0 1	0X, 0Y, 0Z
0 0 1 0	0X, 0Y, 0Z
0 0 1 1	0X, 0Y, 0Z
0 1 0 0	0X, 0Y, 0Z
0 1 0 1	0X, 0Y, 0Z
0 1 1 0	0X, 0Y, 0Z
0 1 1 1	0X, 0Y, 0Z
1 X X X	NOTE

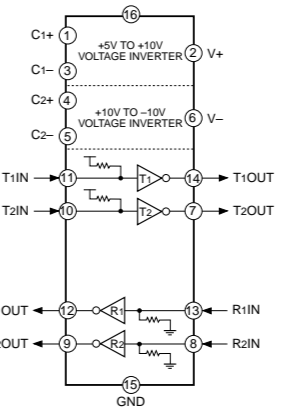
IC701 : LA7108M-TLM 75Ω Video Driver



IC751 : LA7104M Double Scart Interface



IC951 : HIN202ECBN-T RS-232 Line Drive/Receiver



- Conditions
- INPUT: DVD auto
 - PROGRAM: PRO LOGIC DSP
 - All voltage are measured with a 10MΩ/V DC electric volt meter.
 - Components having special characteristics are marked △ and must be replaced with parts having specifications equal to those originally installed.
 - Schematic diagram is subject to change without notice.

PARTS LIST

■ ELECTRICAL PARTS

■ WARNING

Components having special characteristics are marked \triangle and must be replaced with parts having specifications equal to those originally installed.

- Carbon resistors (1/6W or 1/4W) are not included in the ELECTRICAL PARTS List. For the parts No. of the carbon resistors, refer to last page.
- Chip resistors are listed on page 99.

ABBREVIATIONS IN THIS LIST ARE AS FOLLOWS :

C.A.EL.CHP	: CHIP ALUMI. ELECTROLYTIC CAP	L.EMIT	: LIGHT EMITTING MODULE
C.CE	: CERAMIC CAP	LED.DSPLY	: LED DISPLAY
C.CE.ARRAY	: CERAMIC CAP ARRAY	LED.INFRD	: LED, INFRARED
C.CE.CHP	: CHIP CERAMIC CAP	MODUL.RF	: MODULATOR, RF
C.CE.ML	: MULTILAYER CERAMIC CAP	PHOT.CPL	: PHOTO COUPLER
C.CE.M.CHP	: CHIP MULTILAYER CERAMIC CAP	PHOT.INTR	: PHOTO INTERRUPTER
C.CE.SAFTY	: RECOGNIZED CERAMIC CAP	PHOT.RFLCT	: PHOTO REFLECTOR
C.CE.TUBLR	: CERAMIC TUBULAR CAP	PIN.TEST	: PIN, TEST POINT
C.CE.SMI	: SEMI CONDUCTIVE CERAMIC CAP	PLST.RIVET	: PLASTIC RIVET
C.EL	: ELECTROLYTIC CAP	R.ARRAY	: RESISTOR ARRAY
C.MICA	: MICA CAP	R.CAR	: CARBON RESISTOR
C.ML.FLM	: MULTILAYER FILM CAP	R.CAR.CHP	: CHIP RESISTOR
C.MP	: METALLIZED PAPER CAP	R.CAR.FP	: FLAME PROOF CARBON RESISTOR
C.MYLAR	: MYLAR FILM CAP	R.FUS	: FUSABLE RESISTOR
C.MYLAR.ML	: MULTILAYER MYLAR FILM CAP	R.MTL.CHP	: CHIP METAL FILM RESISTOR
C.PAPER	: PAPER CAPACITOR	R.MTL.FLM	: METAL FILM RESISTOR
C.PLS	: POLYSTYRENE FILM CAP	R.MTL.OXD	: METAL OXIDE FILM RESISTOR
C.POL	: POLYESTER FILM CAP	R.MTL.PLAT	: METAL PLATE RESISTOR
C.POLY	: POLYETHYLENE FILM CAP	RSNR.CE	: CERAMIC RESONATOR
C.PP	: POLYPROPYLENE FILM CAP	RSNR.CRYS	: CRYSTAL RESONATOR
C.TNTL	: TANTALUM CAP	R.TW.CEM	: TWIN CEMENT FIXED RESISTOR
C.TNTL.CHP	: CHIP TANTALUM CAP	R.WW	: WIRE WOUND RESISTOR
C.TRIM	: TRIMMER CAP	SCR.BND.HD	: BIND HEAD B-TITE SCREW
CN	: CONNECTOR	SCR.BW.HD	: BW HEAD TAPPING SCREW
CN.BS.PIN	: CONNECTOR, BASE PIN	SCR.CUP	: CUP TITE SCREW
CN.CANNON	: CONNECTOR, CANNON	SCR.TERM	: SCREW TERMINAL
CN.DIN	: CONNECTOR, DIN	SCR.TR	: SCREW, TRANSISTOR
CN.FLAT	: CONNECTOR, FLAT CABLE	SUPRT.PCB	: SUPPORT, P.C.B.
CN.POST	: CONNECTOR, BASE POST	SURG.PRTCT	: SURGE PROTECTOR
COIL.MX.AM	: COIL, AM MIX	SW.TACT	: TACT SWITCH
COIL.AT.FM	: COIL, FM ANTENNA	SW.LEAF	: LEAF SWITCH
COIL.DT.FM	: COIL, FM DETECT	SW.LEVER	: LEVER SWITCH
COIL.MX.FM	: COIL, FM MIX	SW.MICRO	: MICRO SWITCH
COIL.OUTPT	: OUTPUT COIL	SW.PUSH	: PUSH SWITCH
DIOD.ARRAY	: DIODE ARRAY	SW.RT.ENC	: ROTARY ENCODER
DIODE.BRG	: DIODE BRIDGE	SW.RT.MTR	: ROTARY SWITCH WITH MOTOR
DIODE.CHP	: CHIP DIODE	SW.RT	: ROTARY SWITCH
DIODE.VAR	: VARACTOR DIODE	SW.SLIDE	: SLIDE SWITCH
DIOD.Z.CHP	: CHIP ZENER DIODE	TERM.SP	: SPEAKER TERMINAL
DIODE.ZENR	: ZENER DIODE	TERM.WRAP	: WRAPPING TERMINAL
DSCR.CE	: CERAMIC DISCRIMINATOR	THRMST.CHP	: CHIP THERMISTOR
FER.BEAD	: FERRITE BEADS	TR.CHP	: CHIP TRANSISTOR
FER.CORE	: FERRITE CORE	TR.DGT	: DIGITAL TRANSISTOR
FET.CHP	: CHIP FET	TR.DGT.CHP	: CHIP DIGITAL TRANSISTOR
FL.DSPLY	: FLUORESCENT DISPLAY	TRANS	: TRANSFORMER
FLTR.CE	: CERAMIC FILTER	TRANS.PULS	: PULSE TRANSFORMER
FLTR.COMB	: COMB FILTER MODULE	TRANS.PWR	: POWER TRANSFORMER ASS'y
FLTR.LC.RF	: LC FILTER, EMI	TUNER.AM	: TUNER PACK, AM
GND.MTL	: GROUND PLATE	TUNER.FM	: TUNER PACK, FM
GND.TERM	: GROUND TERMINAL	TUNER.PK	: FRONT-END TUNER PACK
HOLDER.FUS	: FUSE HOLDER	VR	: ROTARY POTENTIOMETER
IC.PRTCT	: IC PROTECTOR	VR.MTR	: POTENTIOMETER WITH MOTOR
JUMPER.CN	: JUMPER CONNECTOR	VR.SW	: POTENTIOMETER WITH ROTARY SW
JUMPER.TST	: JUMPER, TEST POINT	VR.SLIDE	: SLIDE POTENTIOMETER
L.DTCT	: LIGHT DETECTING MODULE	VR.TRIM	: TRIMMER POTENTIOMETER

Note) Those parts marked with “#” are not included in the P.C.B. ass'y.

P.C.B. DSP

Schm Ref.	PART NO.	Description
*	V6600000	P.C.B. DSP (UC)
*	V6600100	P.C.B. DSP (RLT)
*	V6600200	P.C.B. DSP (ABG)
CB501	V6022800	CN.FBRLINK 1P GP1FA551TZ
CB502	V6022800	CN.FBRLINK 1P GP1FA551TZ
CB503	V5478200	CN.PHOT.SN 1P GP1FA551RZ
CB504	V5478200	CN.PHOT.SN 1P GP1FA551RZ
CB505	V5478200	CN.PHOT.SN 1P GP1FA551RZ
CB506	V5478200	CN.PHOT.SN 1P GP1FA551RZ
CB507	V5478200	CN.PHOT.SN 1P GP1FA551RZ
* CB508	VQ045800	CN.BS.PIN 29P SE
C501	US135100	C.CE.CHP 0.1uF 16V
C502	US135100	C.CE.CHP 0.1uF 16V
C503	US135100	C.CE.CHP 0.1uF 16V
C504	US135100	C.CE.CHP 0.1uF 16V
C505	US135100	C.CE.CHP 0.1uF 16V
C506	US135100	C.CE.CHP 0.1uF 16V
C507	US135100	C.CE.CHP 0.1uF 16V
C508	US135100	C.CE.CHP 0.1uF 16V
C509	UU147220	C.EL 22uF 25V
C510	US061220	C.CE.M.CHP 22pF 50V
C511	US135100	C.CE.CHP 0.1uF 16V
C512	UU147220	C.EL 22uF 25V
C513	US061220	C.CE.M.CHP 22pF 50V
C514	US135100	C.CE.CHP 0.1uF 16V(RLT)
C515	UU147220	C.EL 22uF 25V(RLT)
C517	US061100	C.CE.M.CHP 10pF 50V(RLT)
C518	US044220	C.CE.M.CHP 0.022uF 25V(RLT)
C519	US044220	C.CE.M.CHP 0.022uF 25V(RLT)
C520	US135100	C.CE.CHP 0.1uF 16V
C521	UU147100	C.EL 10uF 25V
C522	US135100	C.CE.CHP 0.1uF 16V
C523	US061100	C.CE.M.CHP 10pF 50V
C524	US061100	C.CE.M.CHP 10pF 50V
C525	US061100	C.CE.M.CHP 10pF 50V(RLT)
C526	US044220	C.CE.M.CHP 0.022uF 25V(RLT)
* C527	US061750	C.CE.CHP 75pF 50V(RLT)
C528	US135100	C.CE.CHP 0.1uF 16V
C529	US061100	C.CE.M.CHP 10pF 50V
C530	US044220	C.CE.M.CHP 0.022uF 25V
C531	US061330	C.CE.M.CHP 33pF 50V
C532	US063100	C.CE.M.CHP 1000pF 50V
C533	US062220	C.CE.CHP 220pF 50V
C534	US063100	C.CE.M.CHP 1000pF 50V
C535	US062220	C.CE.CHP 220pF 50V
C536	US063100	C.CE.M.CHP 1000pF 50V
C537	US062220	C.CE.CHP 220pF 50V(RLT)
C538	US063100	C.CE.M.CHP 1000pF 50V(RLT)
C539	US061100	C.CE.M.CHP 10pF 50V(RLT)
C540	UU137470	C.EL 47uF 16V(RLT)
C541	US135100	C.CE.CHP 0.1uF 16V(RLT)
C542	UU137470	C.EL 47uF 16V(RLT)
C543	US135100	C.CE.CHP 0.1uF 16V(RLT)

* New Parts

Schm Ref.	PART NO.	Description
C544	US135100	C.CE.CHP 0.1uF 16V
C545	US135100	C.CE.CHP 0.1uF 16V
C546	UU128100	C.EL 100uF 10V
C547	UU128100	C.EL 100uF 10V
C548	US135100	C.CE.CHP 0.1uF 16V
C549	US135100	C.CE.CHP 0.1uF 16V
C550	US135100	C.CE.CHP 0.1uF 16V
C551	US135100	C.CE.CHP 0.1uF 16V
C552	US135100	C.CE.CHP 0.1uF 16V
C553	US135100	C.CE.CHP 0.1uF 16V
C554	US064100	C.CE.M.CHP 0.01uF 50V(RLT)
C555	VR169200	C.MYLAR.ML ECQ-V1H474JL3(RLT)
C556	US135100	C.CE.CHP 0.1uF 16V
C557	UU128100	C.EL 100uF 10V
C558	UU128100	C.EL 100uF 10V
C559	US135100	C.CE.CHP 0.1uF 16V
C560	UU128100	C.EL 100uF 10V
C561	UU128100	C.EL 100uF 10V
C562	US135100	C.CE.CHP 0.1uF 16V
C563	US135100	C.CE.CHP 0.1uF 16V
C564	US061330	C.CE.M.CHP 33pF 50V
C565	US061330	C.CE.M.CHP 33pF 50V
C566	UU137470	C.EL 47uF 16V
C567	US135100	C.CE.CHP 0.1uF 16V(RLT)
C568	US135100	C.CE.CHP 0.1uF 16V(RLT)
C569	US135100	C.CE.CHP 0.1uF 16V(RLT)
C570	US135100	C.CE.CHP 0.1uF 16V(RLT)
C571	US135100	C.CE.CHP 0.1uF 16V(RLT)
C572	UU128100	C.EL 100uF 10V(RLT)
C573	UU128100	C.EL 100uF 10V(RLT)
C574	VR169200	C.MYLAR.ML ECQ-V1H474JL3(RLT)
C575	US135100	C.CE.CHP 0.1uF 16V
C576	UU128100	C.EL 100uF 10V
C577	US061470	C.CE.M.CHP 47pF 50V
C578	US061470	C.CE.M.CHP 47pF 50V
C579	US061470	C.CE.M.CHP 47pF 50V
C580	US061470	C.CE.M.CHP 47pF 50V
C581	US061470	C.CE.M.CHP 47pF 50V
C582	US061470	C.CE.M.CHP 47pF 50V
C583	US061470	C.CE.M.CHP 47pF 50V
C584	UU128100	C.EL 100uF 10V
C585	US135100	C.CE.CHP 0.1uF 16V
C587	US135100	C.CE.CHP 0.1uF 16V
C588	US063470	C.CE.CHP 4700pF 50V
C589	UU128100	C.EL 100uF 10V
C590	UN837470	C.EL 47uF 16V(RLT)
C591	US135100	C.CE.CHP 0.1uF 16V(RLT)
C592	UU128100	C.EL 100uF 10V(RLT)
C593	US135100	C.CE.CHP 0.1uF 16V(RLTABG)
C594	US135100	C.CE.CHP 0.1uF 16V
C595	US135100	C.CE.CHP 0.1uF 16V
C596	US135100	C.CE.CHP 0.1uF 16V
C597	US135100	C.CE.CHP 0.1uF 16V

* New Parts

P.C.B. DSP

Schm Ref.	PART NO.	Description		
C598	US061470	C. CE . M. CHP	47pF	50V
C599	US135100	C. CE . CHP	0.1uF	16V
C600	US135100	C. CE . CHP	0.1uF	16V
C601	US135100	C. CE . CHP	0.1uF	16V(RLT)
C602	US064100	C. CE . M. CHP	0.01uF	50V(RLT)
C603	US061180	C. CE . CHP	18pF	50V(RLT)
* C604	US060200	C. CE . CHP	2pF	50V(RLT)
C605	US135100	C. CE . CHP	0.1uF	16V
C606	UU128100	C. EL	100uF	10V
C607	US135100	C. CE . CHP	0.1uF	16V
C608	US135100	C. CE . CHP	0.1uF	16V
C609	US135100	C. CE . CHP	0.1uF	16V
C610	UU128100	C. EL	100uF	10V
C611	UU128100	C. EL	100uF	10V(RLT)
C612	US064100	C. CE . M. CHP	0.01uF	50V(RLT)
C613	US135100	C. CE . CHP	0.1uF	16V(RLT)
C614	UU128100	C. EL	100uF	10V(RLT)
C615	US135100	C. CE . CHP	0.1uF	16V
C616	UU137470	C. EL	47uF	16V
C619	US135100	C. CE . CHP	0.1uF	16V
C620	UU128100	C. EL	100uF	10V
C621	UU137470	C. EL	47uF	16V
C622	US135100	C. CE . CHP	0.1uF	16V
C623	US135100	C. CE . CHP	0.1uF	16V
C624	UU137470	C. EL	47uF	16V
C625	UU137470	C. EL	47uF	16V
C626	US135100	C. CE . CHP	0.1uF	16V
C627	US135100	C. CE . CHP	0.1uF	16V
C628	UU137470	C. EL	47uF	16V
C629	UU137470	C. EL	47uF	16V
C630	US135100	C. CE . CHP	0.1uF	16V
C631	US135100	C. CE . CHP	0.1uF	16V
C632	US135100	C. CE . CHP	0.1uF	16V
C633	UU137470	C. EL	47uF	16V
C634	UU137470	C. EL	47uF	16V
C635	US135100	C. CE . CHP	0.1uF	16V
C636	US135100	C. CE . CHP	0.1uF	16V
C637	UU166220	C. EL	2.2uF	50V
C638	US135100	C. CE . CHP	0.1uF	16V
C639	UU128100	C. EL	100uF	10V
C640	US135100	C. CE . CHP	0.1uF	16V
C641	UU128100	C. EL	100uF	10V
C642	UU137220	C. EL	22uF	16V
C643	UU137220	C. EL	22uF	16V
C644	UU137220	C. EL	22uF	16V
C645	US135100	C. CE . CHP	0.1uF	16V
C646	UU128100	C. EL	100uF	10V
C647	US135100	C. CE . CHP	0.1uF	16V
C648	UU128100	C. EL	100uF	10V
C649	UU137220	C. EL	22uF	16V
C650	UU137220	C. EL	22uF	16V
C651	UU137220	C. EL	22uF	16V
C652	US135100	C. CE . CHP	0.1uF	16V

* New Parts

Schm Ref.	PART NO.	Description		
C653	UU128100	C. EL	100uF	10V
C654	UU137220	C. EL	22uF	16V
C655	UU137220	C. EL	22uF	16V
C656	UU137220	C. EL	22uF	16V
C657	US135100	C. CE . CHP	0.1uF	16V
C658	UU128100	C. EL	100uF	10V
C659	UU128100	C. EL	100uF	10V
C660	US061470	C. CE . M. CHP	47pF	50V
C661	US061470	C. CE . M. CHP	47pF	50V
C662	US061470	C. CE . M. CHP	47pF	50V
C663	US061470	C. CE . M. CHP	47pF	50V
C664	US061470	C. CE . M. CHP	47pF	50V
C665	US061470	C. CE . M. CHP	47pF	50V
C666	UA652100	C. MYLAR	100pF	50V
C667	UA653330	C. MYLAR	3300pF	50V
C668	US135100	C. CE . CHP	0.1uF	16V
C670	UA653330	C. MYLAR	3300pF	50V
C671	UA652100	C. MYLAR	100pF	50V
C672	UA652100	C. MYLAR	100pF	50V
C673	UA653330	C. MYLAR	3300pF	50V
C674	US135100	C. CE . CHP	0.1uF	16V
C675	UA653150	C. MYLAR	1500pF	50V
C676	UA653150	C. MYLAR	1500pF	50V
C677	UU147100	C. EL	10uF	25V
C678	US135100	C. CE . CHP	0.1uF	16V
C679	US135100	C. CE . CHP	0.1uF	16V
C680	UU147100	C. EL	10uF	25V
C681	UU147100	C. EL	10uF	25V
C682	US135100	C. CE . CHP	0.1uF	16V
C683	US135100	C. CE . CHP	0.1uF	16V
C684	UU147100	C. EL	10uF	25V
C685	UU147100	C. EL	10uF	25V
C686	US135100	C. CE . CHP	0.1uF	16V
C687	US135100	C. CE . CHP	0.1uF	16V
C688	UU147100	C. EL	10uF	25V
C689	UA653820	C. MYLAR	8200pF	50V
C690	Vi715100	C. MYLAR	470pF	50V
C691	Vi715100	C. MYLAR	470pF	50V
C692	UA653820	C. MYLAR	8200pF	50V
C693	UA653820	C. MYLAR	8200pF	50V
C694	Vi715100	C. MYLAR	470pF	50V
C695	UA652100	C. MYLAR	100pF	50V
C696	UA652100	C. MYLAR	100pF	50V
C697	UA652100	C. MYLAR	100pF	50V
C698	UA652100	C. MYLAR	100pF	50V
C699	UU147100	C. EL	10uF	25V
C700	UU147100	C. EL	10uF	25V
C701	Vi715100	C. MYLAR	470pF	50V
C702	Vi715100	C. MYLAR	470pF	50V
C703	UU147100	C. EL	10uF	25V
C704	UU147100	C. EL	10uF	25V
C705	UU147100	C. EL	10uF	25V
C706	UU147100	C. EL	10uF	25V

* New Parts

P.C.B. DSP

Schm Ref.	PART NO.	Description		
C707	Vi715100	C.MYLAR	470pF	50V
C708	Vi715100	C.MYLAR	470pF	50V
C709	UU147100	C.EL	10uF	25V
C710	UU147100	C.EL	10uF	25V
C711	UU147100	C.EL	10uF	25V
C712	UU147100	C.EL	10uF	25V
C713	Vi715100	C.MYLAR	470pF	50V
C714	Vi715100	C.MYLAR	470pF	50V
C715	UU147100	C.EL	10uF	25V
C716	UU147100	C.EL	10uF	25V
C717	US135100	C.CE.CHP	0.1uF	16V
C718	US061470	C.CE.M.CHP	47pF	50V
C719	US061470	C.CE.M.CHP	47pF	50V
C720	US061470	C.CE.M.CHP	47pF	50V
C721	US061470	C.CE.M.CHP	47pF	50V
C722	US061470	C.CE.M.CHP	47pF	50V
C723	UU147100	C.EL	10uF	25V
C724	UU147100	C.EL	10uF	25V
C725	UU147100	C.EL	10uF	25V
C726	UU137220	C.EL	22uF	16V
C727	UU147100	C.EL	10uF	25V
C728	US135100	C.CE.CHP	0.1uF	16V
C729	UU137220	C.EL	22uF	16V
C730	US062470	C.CE.M.CHP	470pF	50V
C731	US063470	C.CE.CHP	4700pF	50V
C732	US135100	C.CE.CHP	0.1uF	16V
C733	UU128100	C.EL	100uF	10V
C735	US135100	C.CE.CHP	0.1uF	16V
C736	UU147100	C.EL	10uF	25V
C737	US135100	C.CE.CHP	0.1uF	16V
C738	UU147100	C.EL	10uF	25V
C739	US135100	C.CE.CHP	0.1uF	16V
C740	UU147100	C.EL	10uF	25V
C741	US135100	C.CE.CHP	0.1uF	16V
C742	UU147100	C.EL	10uF	25V
C743	US135100	C.CE.CHP	0.1uF	16V
C744	UU147100	C.EL	10uF	25V
C745	UU147100	C.EL	10uF	25V
C746	UU147100	C.EL	10uF	25V
C747	UU147100	C.EL	10uF	25V
C748	UU147100	C.EL	10uF	25V
C749	UU147100	C.EL	10uF	25V
C750	US063470	C.CE.CHP	4700pF	50V
D501	VT332900	DIODE	1SS355	
D502	VT332900	DIODE	1SS355	
D503	VT332900	DIODE	1SS355	
D504	VT332900	DIODE	1SS355	
D505	VT332900	DIODE	1SS355	
D506	VT332900	DIODE	1SS355(RLT)	
D507	VT332900	DIODE	1SS355(RLT)	
D508	VT332900	DIODE	1SS355(RLT)	
D509	VT332900	DIODE	1SS355	
D510	VT332900	DIODE	1SS355	

* New Parts

Schm Ref.	PART NO.	Description		
D511	VT332900	DIODE	1SS355	
D512	VT332900	DIODE	1SS355	
D513	VT332900	DIODE	1SS355	
D514	VT332900	DIODE	1SS355	
D515	VT707700	C.TRIM	KV1851-TL(RLT)	
D516	VT332900	DIODE	1SS355	
D517	VT332900	DIODE	1SS355	
D518	VT332900	DIODE	1SS355	
D519	VT332900	DIODE	1SS355	
D520	VT332900	DIODE	1SS355	
D521	VT332900	DIODE	1SS355	
D522	VT332900	DIODE	1SS355	
D523	VT332900	DIODE	1SS355	
D524	VV220700	DIODE.SHOT	RB501V-40	
D525	VV220700	DIODE.SHOT	RB501V-40	
D526	VV220700	DIODE.SHOT	RB501V-40	
D527	VV220700	DIODE.SHOT	RB501V-40	
D528	VV220700	DIODE.SHOT	RB501V-40	
D529	VV220700	DIODE.SHOT	RB501V-40	
D530	VV220700	DIODE.SHOT	RB501V-40	
D531	VV220700	DIODE.SHOT	RB501V-40	
D532	VT332900	DIODE	1SS355	
D533	VT332900	DIODE	1SS355	
D534	VT332900	DIODE	1SS355	
D535	VT332900	DIODE	1SS355	
D536	VT332900	DIODE	1SS355	
D537	VT332900	DIODE	1SS355	
D538	VT332900	DIODE	1SS355	
IC501	XY580A00	IC	YSS928	
IC502	XV077A00	IC	MSM514260C-60JS	
IC503	XT958A00	IC	PM4007A(RLT)	
IC504	XW433A00	IC	CY62256LL(RLT)	
IC505	XZ003A00	IC	PQ025EZ5MZP 2.5V	
IC506	XU965A00	IC	uPC29M33T-E1 3.3V	
IC507	XD655A00	IC	TC74HC00AF NAND	
IC508	XV495A00	IC	TC74VHCT08AF AND	
IC509	XR038A00	IC	NJM2904M OP AMP	
IC510	XD660A00	IC	TC74HCU04AF-TP1	
IC511	XD660A00	IC	TC74HCU04AF-TP1	
IC512	XF291A00	IC	uPC4570G2(RLT)	
IC513	XD655A00	IC	TC74HC00AF NAND	
IC514	XZ002A00	IC	AK4527VQ	
IC515	XF291A00	IC	uPC4570G2	
IC516	XF291A00	IC	uPC4570G2	
IC517	XF291A00	IC	uPC4570G2	
IC518	XF291A00	IC	uPC4570G2	
IC519	XF291A00	IC	uPC4570G2	
IC520	XV058A00	IC	DF1704E	
IC521	XV057A00	IC	PCM1704U	
IC522	XV057A00	IC	PCM1704U	
IC523	XV058A00	IC	DF1704E	
IC524	XV057A00	IC	PCM1704U	
IC525	XF291A00	IC	uPC4570G2	

* New Parts

P.C.B. DSP & F AMP

Schm Ref.	PART NO.	Description	
IC526	XF291A00	IC	uPC4570G2
IC527	XF291A00	IC	uPC4570G2
L501	V2726500	COIL	68uH
L502	V2726500	COIL	68uH
L503	V2726500	COIL	68uH
L504	V2726500	COIL	68uH
L505	V2726500	COIL	68uH
L506	VT623200	FLTR.LC	SBP-4930(RLT)
L507	V2726500	COIL	68uH(RLT)
PJ501	V5715300	JACK.PIN	2P(UCAG)
* PJ501	V6290500	JACK.PIN	3P(RTL)
Q501	iA103700	TR.CHP	2SA1037 Q,R,S(RLT)
Q502	VV556400	TR	2SC2412K Q,R,S(RLT)
Q503	VV556400	TR	2SC2412K Q,R,S(RLT)
Q504	VV556400	TR	2SC2412K Q,R,S(RLT)
Q505	iA103700	TR.CHP	2SA1037 Q,R,S(RLT)
Q506	VV556400	TR	2SC2412K Q,R,S(RLT)
Q507	VV556400	TR	2SC2412K Q,R,S(RLT)
Q508	iA103700	TR.CHP	2SA1037 Q,R,S(RLT)
Q509	VV655300	TR.DGT	DTA144EKA
Q510	VV655300	TR.DGT	DTA144EKA
Q511	VV655300	TR.DGT	DTA144EKA
Q512	VV655300	TR.DGT	DTA144EKA
Q513	VV655300	TR.DGT	DTA144EKA
Q514	VV655300	TR.DGT	DTA144EKA
Q515	VV655300	TR.DGT	DTA144EKA
Q516	VV655300	TR.DGT	DTA144EKA
Q517	VV655300	TR.DGT	DTA144EKA
Q518	VV655300	TR.DGT	DTA144EKA
Q519	VD303700	TR	2SC3326 A,B
Q520	VD303700	TR	2SC3326 A,B
Q521	VD303700	TR	2SC3326 A,B
Q522	VD303700	TR	2SC3326 A,B
Q523	VD303700	TR	2SC3326 A,B
Q524	VD303700	TR	2SC3326 A,B
Q525	VD303700	TR	2SC3326 A,B
Q526	VD303700	TR	2SC3326 A,B
Q527	VD303700	TR	2SC3326 A,B
R594	HV453100	R.CAR.FP	1 1/4W(RLT)
R595	HV453100	R.CAR.FP	1 1/4W(RLT)
R596	HV454100	R.CAR.FP	10 1/4W
R599	HV453100	R.CAR.FP	1 1/4W
R600	HV453100	R.CAR.FP	1 1/4W
R601	HV454220	R.CAR.FP	22 1/4W
R602	HV453220	R.CAR.FP	2.2 1/4W
R604	HV454220	R.CAR.FP	22 1/4W
R605	HV453220	R.CAR.FP	2.2 1/4W
R606	HV454100	R.CAR.FP	10 1/4W
R608	HV454220	R.CAR.FP	22 1/4W
R609	VU224000	R.MTL.FLM	0.22 1W J
R610	HV453220	R.CAR.FP	2.2 1/4W
R611	HV453220	R.CAR.FP	2.2 1/4W
R612	HV453220	R.CAR.FP	2.2 1/4W

* New Parts

Schm Ref.	PART NO.	Description	
XL501	V3625700	RSNR.CRYS	24.576MHz
XL502	VT928600	RSNR.CRYS	18.432MHz(RLT)
* * * * *	V6602000	P.C.B.	F AMP(UC)
* * * * *	V6602100	P.C.B.	F AMP(RT)
* * * * *	V6602200	P.C.B.	F AMP(A)
* * * * *	V6602300	P.C.B.	F AMP(G)
* * * * *	V6602400	P.C.B.	F AMP(L)
CB311	VG879900	CN.BS.PIN	2P(RTA)
CB313	VP206500	HOLDER.FUS	EYF-52BCT(AGL)
CB313	VS996100	HOLDER.FUS	EYF64BC(UCRT)
CB314	VS996100	HOLDER.FUS	EYF64BC(UCRT)
CB315	VP206500	HOLDER.FUS	EYF-52BCT(ALG)
CB316	LA002410	TERM.WRAP	2P
CB317	VP206500	HOLDER.FUS	EYF-52BCT(RTGL)
CB318	VP206500	HOLDER.FUS	EYF-52BCT(RTGL)
CB319	LA002410	TERM.WRAP	2P(RT)
CB351	VD004500	CN.BS.PIN	2P
CB352	VL845000	CN.BS.PIN	6P
CB353	VP206500	HOLDER.FUS	EYF-52BCT
CB354	VP206500	HOLDER.FUS	EYF-52BCT
CB355	VP206500	HOLDER.FUS	EYF-52BCT
CB356	VP206500	HOLDER.FUS	EYF-52BCT
CB357	VD004500	CN.BS.PIN	2P
CB358	LA002320	TERM.WRAP	3P
CB359	LA002320	TERM.WRAP	3P
CB360	LA002000	TERM.WRAP	2P
CB361	VD005000	CN.BS.PIN	7P
CB362	VD004700	CN.BS.PIN	4P
CB363	VD005000	CN.BS.PIN	7P
CB901	V5906800	CN	JET 15P TE
CB902	VM929900	CN.BS.PIN	15P
C311	UU147100	C.EL	10uF 25V(UCAGL)
C311	UU148100	C.EL	100uF 25V(RT)
C312	UU147100	C.EL	10uF 25V(RT)
C313	UU167100	C.EL	10uF 50V(RT)
C314	UU197470	C.EL	47uF 100V(RT)
C315	Vi716700	C.MYLAR	0.01uF 50V(UCAGL)
C316	Vi716700	C.MYLAR	0.01uF 50V(RT)
C317	Vi716700	C.MYLAR	0.01uF 50V(RT)
* * * * *	C318	V6185300	C.CE.SAFETY 0.01uF 275V
C351	UU167100	C.EL	10uF 50V
C352	UU167100	C.EL	10uF 50V
* C353	UU157330	C.EL	33uF 35V
* C354	UU157330	C.EL	33uF 35V
C355	UU167100	C.EL	10uF 50V
C356	UU167100	C.EL	10uF 50V
C357	VF467000	C.CE.TUBLR	1000pF 50V
C358	UU137220	C.EL	22uF 16V
C359	VF466800	C.CE.TUBLR	100pF 50V
C360	VS696700	C.CE	33pF 500V

* New Parts

P.C.B. F AMP

Schm Ref.	PART NO.	Description		
C361	UP652100	C. POL	100pF	100V
C362	UU148100	C. EL	100uF	25V
C363	UU137470	C. EL	47uF	16V
C364	UU137220	C. EL	22uF	16V
C365	VF466800	C. CE . TUBLR	100pF	50V
C366	VS696700	C. CE	33pF	500V
C367	UP652100	C. POL	100pF	100V
C368	UU148100	C. EL	100uF	25V
C369	UU137470	C. EL	47uF	16V
C370	VR325000	C. MYLAR	100pF	100V
C371	UA654100	C. MYLAR	0.01uF	50V
C372	UU138100	C. EL	100uF	16V
C373	VR325000	C. MYLAR	100pF	100V
C374	VR325000	C. MYLAR	100pF	100V
C375	UA654100	C. MYLAR	0.01uF	50V
C376	UU138100	C. EL	100uF	16V
C377	VR325000	C. MYLAR	100pF	100V
C378	UA654470	C. MYLAR	0.047uF	50V
C379	UA654470	C. MYLAR	0.047uF	50V
C380	UU159100	C. EL	1000uF	35V
C381	UU168100	C. EL	100uF	50V
C382	UU167100	C. EL	10uF	50V
C383	UU147100	C. EL	10uF	25V
C384	VL232400	C. EL	3300uF	35V
C385	VL232400	C. EL	3300uF	35V
C386	UU139680	C. EL	6800uF	16V
C387	UU13A100	C. EL	10000uF	16V
C388	UU13A100	C. EL	10000uF	16V
C389	UU139680	C. EL	6800uF	16V
C390	UU147100	C. EL	10uF	25V
C391	UU147100	C. EL	10uF	25V
△ C392	VR168300	C. MYLAR . ML	ECQ-V1H104JL3	
△ C393	VR168300	C. MYLAR . ML	ECQ-V1H104JL3	
C394	VH053100	C. CE . TUBLR	0.1uF	50V
C395	VR168300	C. MYLAR . ML	ECQ-V1H104JL3	
C396	VR168300	C. MYLAR . ML	ECQ-V1H104JL3	
C397	UU147100	C. EL	10uF	25V
C398	UU137470	C. EL	47uF	16V
C399	UU137470	C. EL	47uF	16V
C400	UU166100	C. EL	1uF	50V
C401	UU166100	C. EL	1uF	50V
C402	UU137470	C. EL	47uF	16V
C403	UU139100	C. EL	1000uF	16V
C404	UU139100	C. EL	1000uF	16V
C901	UU137470	C. EL	47uF	16V
C902	UU137470	C. EL	47uF	16V
C903	VF466800	C. CE . TUBLR	100pF	50V
C904	VF466800	C. CE . TUBLR	100pF	50V
C905	VF467300	C. CE . TUBLR	0.01uF	16V
C906	VF466800	C. CE . TUBLR	100pF	50V
C907	VF467000	C. CE . TUBLR	1000pF	50V
C908	VF466800	C. CE . TUBLR	100pF	50V
C911	VG278600	C. CE . TUBLR	330pF	50V(G)

Schm Ref.	PART NO.	Description		
C912	VG278600	C. CE . TUBLR	330pF	50V(G)
C913	VG278800	C. CE . TUBLR	560pF	50V(G)
C914	UU137470	C. EL	47uF	16V(G)
C915	UU137470	C. EL	47uF	16V(G)
C916	VA761100	C. CE	27pF	50V(G)
C917	VA761100	C. CE	27pF	50V(G)
C918	VJ599000	C. CE . TUBLR	0.047uF	16V(G)
C919	UU137470	C. EL	47uF	16V(G)
D311	iF004600	DIODE	1SS133	
D312	iF004600	DIODE	1SS133(RT)	
D313	VU264100	DIODE	1SR139-400(RT)	
△ D314	VR253700	DIODE . BRG	S1NB20	1.0A 200V
D315	VG439900	DIODE . ZENR	MTZJ11B	11V(RT)
D351	VG442800	DIODE . ZENR	MTZJ27A	27V
D352	VG442400	DIODE . ZENR	MTZJ24A	24V
D353	iF004600	DIODE	1SS133	
D354	iF004600	DIODE	1SS133	
D355	iF004600	DIODE	1SS133	
D356	iF004600	DIODE	1SS133	
D357	VG442600	DIODE . ZENR	MTZJ24C	24V
D358	VG440800	DIODE . ZENR	MTZJ15B	15V(RT)
D359	iF004600	DIODE	1SS133	
△ D360	VN011300	DIODE . BRG	D3SBA20	4A 200V
△ D361	VN011300	DIODE . BRG	D3SBA20	4A 200V
D901	VG437700	DIODE . ZENR	MTZJ5.6B	5.6V
F311	KB000780	FUSE	T5.0A	250V(AGL)
F311	KB001390	FUSE	10A	250V(UCRT)
F312	KB000780	FUSE	T5.0A	250V(RT)
F312	VT942900	FUSE	TH2.5A	250V(GL)
F351	KB003240	FUSE	T5.0A	250V(RTAGL)
F351	KB003640	FUSE	T6.0A	125V(UC)
F352	KB003240	FUSE	T5.0A	250V(RTAGL)
F352	KB003640	FUSE	T6.0A	125V(UC)
G351	VR463400	TERM . GND	D3.5	TP00385
IC351	iG092000	IC	M5220L	
△ IC352	XJ607A00	IC	NJM7805FA	5V
△ IC353	XE436A00	IC	NJM79M05FA	
△ IC354	XJ607A00	IC	NJM7805FA	5V
△ IC355	XJ608A00	IC	NJM7812FA	
△ IC356	XD343A00	IC	NJM79M12FA	
* IC901	XY534A00	IC	LC72722(G)	
L351	GD900470	COIL	1.5uH	
L352	GD900470	COIL	1.5uH	
L901	Vi546100	COIL	220uH(G)	
PN302	V3750100	PIN	L=50	
Q311	VD488500	TR . DGT	DTC143XS	
△ Q312	VR510800	TR	2SD2396 J,K(RT)	
△ Q313	VR510800	TR	2SD2396 J,K(RT)	
Q314	iE102620	FET	2SK246 Y(RT)	
Q315	iC174020	TR	2SC1740S R,S	
△ Q351	VP872700	TR	2SC4488 S,T	
△ Q352	VP872600	TR	2SA1708 S,T	
△ Q353	VP872700	TR	2SC4488 S,T	

* New Parts

* New Parts

P.C.B. F AMP & MAIN

Schm Ref.	PART NO.	Description
△	Q354	VK174800 TR 2SC4512 O,P,Y
△	Q355	VP872600 TR 2SA1708 S,T
	Q356	iC224030 TR 2SC2240 GR,BL
△	Q357	VK174800 TR 2SC4512 O,P,Y
△	Q358	VP872700 TR 2SC4488 S,T
△	Q359	VK174800 TR 2SC4512 O,P,Y
△	Q360	VP872600 TR 2SA1708 S,T
	Q361	iC224030 TR 2SC2240 GR,BL
△	Q362	VK174800 TR 2SC4512 O,P,Y
	Q363	iC224030 TR 2SC2240 GR,BL
	Q364	iC224030 TR 2SC2240 GR,BL
△ *	Q365	V6678600 TR 2SB1375
	Q366	iC1815C0 TR 2SC1815 Y
	Q901	iC1815C0 TR 2SC1815 Y
	Q902	iC174020 TR 2SC1740S R,S(G)
	R351	HV453470 R.CAR.FP 4.7 1/4W
	R354	HV453470 R.CAR.FP 4.7 1/4W
	R361	HV455220 R.CAR.FP 220 1/4W
	R367	HV455220 R.CAR.FP 220 1/4W
△	R369	HV455330 R.CAR.FP 330 1/4W
△	R370	VE869300 R.MTL.OXD 0.1 2W
△	R371	HV456150 R.CAR.FP 1.5K 1/4W
△	R374	HV456220 R.CAR.FP 2.2K 1/4W
△	R375	HV455100 R.CAR.FP 100 1/4W
△	R376	HV455100 R.CAR.FP 100 1/4W
△	R378	HV456150 R.CAR.FP 1.5K 1/4W
△	R379	HV455330 R.CAR.FP 330 1/4W
△	R380	VE869300 R.MTL.OXD 0.1 2W
△	R382	HV456220 R.CAR.FP 2.2K 1/4W
△	R384	HV455100 R.CAR.FP 100 1/4W
△	R385	HV455100 R.CAR.FP 100 1/4W
	R389	HV454100 R.CAR.FP 10 1/4W
	R390	HV453470 R.CAR.FP 4.7 1/4W
	R391	HV453470 R.CAR.FP 4.7 1/4W
	R393	HV454100 R.CAR.FP 10 1/4W
△	R394	HV453470 R.CAR.FP 4.7 1/4W
	R395	HV456330 R.CAR.FP 3.3K 1/4W
	R396	HV456470 R.CAR.FP 4.7K 1/4W
	R400	HL314100 R.MTL.OXD 10 1W
△	R402	HL324100 R.MTL.OXD 10 2W
△	R403	HL324100 R.MTL.OXD 10 2W
△	R404	VP939900 R.MTL.OXD 15 1W
△	R405	VP939900 R.MTL.OXD 15 1W
△	R411	HL324100 R.MTL.OXD 10 2W
△	R412	VP939500 R.MTL.FLM 1 1W
△	R413	VP939900 R.MTL.OXD 15 1W
△	R414	VP939500 R.MTL.FLM 1 1W
△ *	RY311	V6434900 RELAY DC DLS12D1-0
	ST311	BB071360 SCR.TERM 8.3x13
	ST901	BB071360 SCR.TERM 8.3x13
	SW901	VF541200 SW.SLIDE SSSF11(RT)
△ *	T311	XZ228A00 TRANS.PWR (UC)
△ *	T311	XZ229A00 TRANS.PWR (RT)

* New Parts

Schm Ref.	PART NO.	Description
△ *	T311	XZ230A00 TRANS.PWR (A)
△ *	T311	XZ231A00 TRANS.PWR (GL)
△ *	TE311	V5867900 AC OUTLET 3P(RT)
△	TE311	VT915000 OUTLET.AC 2P(A)
△	TE311	VV118800 OUTLET.AC 3P(UC)
△	TE311	VV119000 OUTLET.AC 3P(GL)
△ *	TE312	V6561200 AC INLET 2P M1908-G(UCGL)
	TH351	VM842300 POSISTOR PTH9M04 BF/80° C
*	XL901	V2731100 RSNR.CRYS 4.332M HC-49/U(G)
*		V6604000 P.C.B. MAIN(UC)
*		V6604100 P.C.B. MAIN(RT)
*		V6604200 P.C.B. MAIN(A)
*		V6604300 P.C.B. MAIN(G)
*		V6604400 P.C.B. MAIN(L)
	CB1	VM973500 CN.BS.PIN 17P
	CB3	LA002000 TERM.WRAP 2P
	CB4	LB919040 CN.BS.PIN 4P
	CB5	LA002320 TERM.WRAP 3P
	CB6	LB919040 CN.BS.PIN 4P
	C1	UU118100 C.EL 100uF 6.3V
	C2	UU167100 C.EL 10uF 50V
	C3	VH053100 C.CE.TUBLR 0.1uF 50V
	C4	UU167100 C.EL 10uF 50V
	C5	UU197100 C.EL 10uF 100V
	C6	UU197100 C.EL 10uF 100V
	C7	UU197470 C.EL 47uF 100V
	C9	VF467300 C.CE.TUBLR 0.01uF 16V(RTALG)
	C11	UP652100 C.POL 100pF 100V
	C12	UP652100 C.POL 100pF 100V
	C13	UA654100 C.MYLAR 0.01uF 50V
	C14	UU197100 C.EL 10uF 100V
	C15	UP652100 C.POL 100pF 100V
	C16	UU197100 C.EL 10uF 100V
	C17	UP652100 C.POL 100pF 100V
	C18	VK533900 C.PP 100pF 200V
	C19	UP653120 C.POL 1200pF 100V
	C20	UU197470 C.EL 47uF 100V
	C21	UA653330 C.MYLAR 3300pF 50V
	C22	UA654100 C.MYLAR 0.01uF 50V
	C23	UP652100 C.POL 100pF 100V
	C24	VM645500 C.PP 15uF 200V
	C25	UU147100 C.EL 10uF 25V
	C26	UU138100 C.EL 100uF 16V
	C27	UU166470 C.EL 4.7uF 50V
	C28	UU165100 C.EL 0.1uF 50V
	C29	UP652100 C.POL 100pF 100V
*	C30	UU157330 C.EL 33uF 35V
	C31	UU167100 C.EL 10uF 50V
	C32	VK533900 C.PP 100pF 200V
	C33	UU148100 C.EL 100uF 25V

* New Parts

P.C.B. MAIN

Schm Ref.	PART NO.	Description		
C34	VK533900	C. PP	100pF	200V
C35	UP653120	C. POL	1200pF	100V
C36	UU197470	C. EL	47uF	100V
C37	UA653330	C. MYLAR	3300pF	50V
C38	UA654100	C. MYLAR	0.01uF	50V
C39	UP652100	C. POL	100pF	100V
C40	VM645500	C. PP	15uF	200V
C41	UU147100	C. EL	10uF	25V
C42	UU138100	C. EL	100uF	16V
C43	UU166470	C. EL	4.7uF	50V
C44	UU165100	C. EL	0.1uF	50V
C45	UP652100	C. POL	100pF	100V
* C46	UU157330	C. EL	33uF	35V
C47	UU167100	C. EL	10uF	50V
C48	VK533900	C. PP	100pF	200V
C49	UU148100	C. EL	100uF	25V
C50	UU197470	C. EL	47uF	100V
C51	UP653120	C. POL	1200pF	100V
C52	UA653330	C. MYLAR	3300pF	50V
C53	UP652100	C. POL	100pF	100V
C54	VR516400	C. CE	15pF	500V
C55	UU147100	C. EL	10uF	25V
C56	UU138100	C. EL	100uF	16V
C57	UU165100	C. EL	0.1uF	50V
C58	UP652100	C. POL	100pF	100V
* C59	UU157330	C. EL	33uF	35V
C60	UU167100	C. EL	10uF	50V
C61	VK533900	C. PP	100pF	200V
C62	UU148100	C. EL	100uF	25V
C63	UU197470	C. EL	47uF	100V
C64	UP653120	C. POL	1200pF	100V
C65	UA653330	C. MYLAR	3300pF	50V
C66	UP652100	C. POL	100pF	100V
C67	VR516400	C. CE	15pF	500V
C68	UU147100	C. EL	10uF	25V
C69	UU138100	C. EL	100uF	16V
C70	UU165100	C. EL	0.1uF	50V
C71	UP652100	C. POL	100pF	100V
* C72	UU157330	C. EL	33uF	35V
C73	UU167100	C. EL	10uF	50V
C74	VK533900	C. PP	100pF	200V
C75	UU148100	C. EL	100uF	25V
C76	VK533900	C. PP	100pF	200V
C77	UP653120	C. POL	1200pF	100V
C78	UU197470	C. EL	47uF	100V
C79	UA653330	C. MYLAR	3300pF	50V
C80	UP652100	C. POL	100pF	100V
C81	VR516400	C. CE	15pF	500V
C82	UA654100	C. MYLAR	0.01uF	50V
C83	UU147100	C. EL	10uF	25V
C84	UU166470	C. EL	4.7uF	50V
C85	UU138100	C. EL	100uF	16V
C86	UU165100	C. EL	0.1uF	50V

* New Parts

Schm Ref.	PART NO.	Description		
C87	UP652100	C. POL	100pF	100V
* C88	UU157330	C. EL	33uF	35V
C89	UU167100	C. EL	10uF	50V
C90	VK533900	C. PP	100pF	200V
C91	UU148100	C. EL	100uF	25V
C92	VK533900	C. PP	100pF	200V
C93	UP653120	C. POL	1200pF	100V
C94	UU197470	C. EL	47uF	100V
C95	UA653330	C. MYLAR	3300pF	50V
C96	UA654100	C. MYLAR	0.01uF	50V
C97	UP652100	C. POL	100pF	100V
C98	VR516400	C. CE	15pF	500V
C99	UU147100	C. EL	10uF	25V
C100	UU138100	C. EL	100uF	16V
C101	UU166470	C. EL	4.7uF	50V
C102	UU165100	C. EL	0.1uF	50V
C103	UP652100	C. POL	100pF	100V
* C104	UU157330	C. EL	33uF	35V
C105	UU167100	C. EL	10uF	50V
C106	VK533900	C. PP	100pF	200V
C107	UU148100	C. EL	100uF	25V
C108	UU166330	C. EL	3.3uF	50V
C109	VR169000	C. MYLAR . ML	ECQ-V1H334JL3	
* C110	UU138330	C. EL	330uF	16V
C111	UA654470	C. MYLAR	0.047uF	50V
C112	VR169000	C. MYLAR . ML	ECQ-V1H334JL3	
* C113	UU138330	C. EL	330uF	16V
C114	UA654470	C. MYLAR	0.047uF	50V
C115	VK533900	C. PP	100pF	200V
C116	UA654100	C. MYLAR	0.01uF	50V
C117	UU166470	C. EL	4.7uF	50V
* C118	UU138330	C. EL	330uF	16V
C119	UA654470	C. MYLAR	0.047uF	50V
C120	VK533900	C. PP	100pF	200V
C121	UA654100	C. MYLAR	0.01uF	50V
C122	UU166470	C. EL	4.7uF	50V
* C123	UU138330	C. EL	330uF	16V
C124	UA654470	C. MYLAR	0.047uF	50V
* C125	UU138330	C. EL	330uF	16V
C126	UA654470	C. MYLAR	0.047uF	50V
* C127	UU138330	C. EL	330uF	16V
C128	UA654470	C. MYLAR	0.047uF	50V
C129	UU197100	C. EL	10uF	100V
C130	UU197100	C. EL	10uF	100V
C131	UU197100	C. EL	10uF	100V
C132	UU197100	C. EL	10uF	100V
C133	UU197100	C. EL	10uF	100V
C134	UU197100	C. EL	10uF	100V
C135	UU197100	C. EL	10uF	100V
C136	UU197100	C. EL	10uF	100V
C137	UU197100	C. EL	10uF	100V
C138	UU197100	C. EL	10uF	100V
C139	UU128100	C. EL	100uF	10V

* New Parts

P.C.B. MAIN

Schm Ref.	PART NO.	Description
C140	UU197100	C.EL 10uF 100V
C141	UU197100	C.EL 10uF 100V
C142	Vi862100	C.POL.MTL 0.047uF 100V
* C143	V6512400	C.EL 22000uF 71V
C144	Vi862100	C.POL.MTL 0.047uF 100V
* C145	V6512400	C.EL 22000uF 71V
C146	Vi862200	C.POLY 0.1uF 100V
C147	UA654100	C.MYLAR 0.01uF 50V(RTALG)
C148	UA654100	C.MYLAR 0.01uF 50V(RTALG)
C149	UA654100	C.MYLAR 0.01uF 50V(RTALG)
C150	UA654100	C.MYLAR 0.01uF 50V(RTALG)
C151	UA654100	C.MYLAR 0.01uF 50V(RTALG)
C152	UA654100	C.MYLAR 0.01uF 50V(RTALG)
C153	UA654100	C.MYLAR 0.01uF 50V(RTALG)
C154	UA654100	C.MYLAR 0.01uF 50V(RTALG)
C155	UA654100	C.MYLAR 0.01uF 50V(RTALG)
C156	UA654100	C.MYLAR 0.01uF 50V(RTALG)
C157	UA654100	C.MYLAR 0.01uF 50V(RTALG)
C158	UA654100	C.MYLAR 0.01uF 50V(RTALG)
C159	UA654100	C.MYLAR 0.01uF 50V(RTALG)
C160	UA654100	C.MYLAR 0.01uF 50V(RTALG)
C161	UA654100	C.MYLAR 0.01uF 50V(RTALG)
C162	UA654100	C.MYLAR 0.01uF 50V(RTALG)
C163	UA654100	C.MYLAR 0.01uF 50V(RTALG)
C164	UA654100	C.MYLAR 0.01uF 50V(RTALG)
C165	UA654100	C.MYLAR 0.01uF 50V(RTALG)
C166	UA654100	C.MYLAR 0.01uF 50V(RTALG)
C167	UU128100	C.EL 100uF 10V
C168	UU128100	C.EL 100uF 10V
D1	iF004600	DIODE 1SS133
D2	iF004600	DIODE 1SS133
D3	iF004600	DIODE 1SS133
D4	VG443500	DIODE.ZENR MTZJ30D 30V
D5	iF004600	DIODE 1SS133
* D6	VG441700	DIODE.ZENR MTZ J 20.0B(UC)
D6	VG442100	DIODE.ZENR MTZJ22B(RTAGL)
* D7	VG441700	DIODE.ZENR MTZ J 20.0B(UC)
D7	VG442100	DIODE.ZENR MTZJ22B(RTAGL)
D8	iF004600	DIODE 1SS133
D9	iF004600	DIODE 1SS133
D10	VG440100	DIODE.ZENR MTZJ12A 12V
△ D11	VC398400	DIODE MA185
△ D12	iF004600	DIODE 1SS133
△ D13	VG440100	DIODE.ZENR MTZJ12A 12V
△ D14	VC398400	DIODE MA185
△ D15	iF004600	DIODE 1SS133
△ D16	VG440100	DIODE.ZENR MTZJ12A 12V
△ D17	VC398400	DIODE MA185
△ D18	iF004600	DIODE 1SS133
△ D19	VG440100	DIODE.ZENR MTZJ12A 12V
△ D20	VC398400	DIODE MA185
△ D21	VC398400	DIODE MA185
D22	iF004600	DIODE 1SS133

* New Parts

Schm Ref.	PART NO.	Description
△ D23	VC398400	DIODE MA185
D24	VG440100	DIODE.ZENR MTZJ12A 12V
△ D25	VC398400	DIODE MA185
D26	iF004600	DIODE 1SS133
△ D27	VC398400	DIODE MA185
D28	VG440100	DIODE.ZENR MTZJ12A 12V
△ D29	VC398400	DIODE MA185
△ D30	VU264100	DIODE 1SR139-400
△ D31	VC398400	DIODE MA185
△ D32	VC398400	DIODE MA185
△ D33	VU264100	DIODE 1SR139-400
△ D34	VC398400	DIODE MA185
△ D35	VC398400	DIODE MA185
△ D36	VU264100	DIODE 1SR139-400
△ D37	VC398400	DIODE MA185
△ D38	VC398400	DIODE MA185
△ D39	VU264100	DIODE 1SR139-400
△ D40	VC398400	DIODE MA185
△ D41	VC398400	DIODE MA185
△ D42	VU264100	DIODE 1SR139-400
△ D43	VC398400	DIODE MA185
△ D44	VC398400	DIODE MA185
△ D45	VU264100	DIODE 1SR139-400
△ D46	VC398400	DIODE MA185
△ D47	VC398400	DIODE MA185
D48	VC398400	DIODE MA185
D49	VC398400	DIODE MA185
D51	iF004600	DIODE 1SS133
D52	iF004600	DIODE 1SS133
△ D53	VZ755200	DIODE.BRG D15XB20 15A 200V
D54	iF004600	DIODE 1SS133
D55	iF004600	DIODE 1SS133
D56	VG437200	DIODE.ZENR MTZJ4.7C 4.7V
D57	VG437200	DIODE.ZENR MTZJ4.7C 4.7V
△ D58	VC398400	DIODE MA185
△ D59	VC398400	DIODE MA185
△ D60	VC398400	DIODE MA185
D61	iF004600	DIODE 1SS133
D62	iF004600	DIODE 1SS133
D63	iF004600	DIODE 1SS133
D64	iF004600	DIODE 1SS133
D65	iF004600	DIODE 1SS133
D66	iF004600	DIODE 1SS133
G1	VR463400	TERM.GND D3.5 TP00385
G2	VR463400	TERM.GND D3.5 TP00385
HS1	VY843300	HEAT.SINK
L1	VC664100	COIL 0.95uH
L2	VC664100	COIL 0.95uH
L3	GD900470	COIL 1.5uH
L4	GD900470	COIL 1.5uH
L5	GD900470	COIL 1.5uH
L6	GD900470	COIL 1.5uH
PN1	V3750100	PIN L=50

* New Parts

P.C.B. MAIN

Schm Ref.	PART NO.	Description
Q1	iC174020	TR 2SC1740S R, S
Q2	VK165500	TR .DGT DTC123JS TP
* Q3	V6678600	TR 2SB1375
Q4	VT254500	TR .DGT DTC143ZS
Q5	VT254500	TR .DGT DTC143ZS
△ Q6	VR510800	TR 2SD2396 J, K
Q7	VP883100	TR 2SC1890A D, E
Q8	VP883000	TR 2SA893A D, E
△ Q9	VS883300	TR 2SB1565 E, F
△ Q10	iA101521	TR 2SA1015 Y
△ Q11	iA101521	TR 2SA1015 Y
△ Q12	VE198700	TR 2SA1145 O, Y
△ Q13	iC224030	TR 2SC2240 GR, BL
△ Q14	iC224030	TR 2SC2240 GR, BL
△ Q15	iC224030	TR 2SC2240 GR, BL
△ Q16	iC224030	TR 2SC2240 GR, BL
△ Q17	iA101521	TR 2SA1015 Y
△ Q18	iA101521	TR 2SA1015 Y
△ Q19	VE198700	TR 2SA1145 O, Y
△ Q20	iC224030	TR 2SC2240 GR, BL
△ Q21	iC224030	TR 2SC2240 GR, BL
△ Q22	iC224030	TR 2SC2240 GR, BL
△ Q23	iC224030	TR 2SC2240 GR, BL
△ Q24	iA101521	TR 2SA1015 Y
△ Q25	iA101521	TR 2SA1015 Y
△ Q26	VE198700	TR 2SA1145 O, Y
△ Q27	iC224030	TR 2SC2240 GR, BL
△ Q28	iC224030	TR 2SC2240 GR, BL
△ Q29	iC224030	TR 2SC2240 GR, BL
△ Q30	iC224030	TR 2SC2240 GR, BL
△ Q31	iA101521	TR 2SA1015 Y
△ Q32	iA101521	TR 2SA1015 Y
△ Q33	VE198700	TR 2SA1145 O, Y
△ Q34	iC224030	TR 2SC2240 GR, BL
△ Q35	iC224030	TR 2SC2240 GR, BL
△ Q36	iC224030	TR 2SC2240 GR, BL
△ Q37	iC224030	TR 2SC2240 GR, BL
△ Q38	iA101521	TR 2SA1015 Y
△ Q39	iA101521	TR 2SA1015 Y
△ Q40	VE198700	TR 2SA1145 O, Y
△ Q41	iC224030	TR 2SC2240 GR, BL
△ Q42	iC224030	TR 2SC2240 GR, BL
△ Q43	iC224030	TR 2SC2240 GR, BL
△ Q44	iC224030	TR 2SC2240 GR, BL
△ Q45	iA101521	TR 2SA1015 Y
△ Q46	iA101521	TR 2SA1015 Y
△ Q47	VE198700	TR 2SA1145 O, Y
△ Q48	iC224030	TR 2SC2240 GR, BL
△ Q49	iC224030	TR 2SC2240 GR, BL
△ Q50	iC224030	TR 2SC2240 GR, BL
△ Q51	iC224030	TR 2SC2240 GR, BL
△ Q52	VE198800	TR 2SC2705 O, Y
△ Q53A	iX632610	TR 2SA1837 O, Y

Schm Ref.	PART NO.	Description
△ Q53C	iX632620	TR 2SC4793 O, Y
△ # Q54	VY705000	TR 2SC5200 R, O
△ Q55	iC224030	TR 2SC2240 GR, BL
△ Q57	VE198700	TR 2SA1145 O, Y
△ # Q58	VY705000	TR 2SC5200 R, O
△ Q59	VE198800	TR 2SC2705 O, Y
△ Q60A	iX632610	TR 2SA1837 O, Y
△ Q60C	iX632620	TR 2SC4793 O, Y
△ # Q61	VY705000	TR 2SC5200 R, O
△ Q62	iC224030	TR 2SC2240 GR, BL
△ Q64	VE198700	TR 2SA1145 O, Y
△ # Q65	VY705000	TR 2SC5200 R, O
△ Q66	VE198800	TR 2SC2705 O, Y
△ Q67A	iX632610	TR 2SA1837 O, Y
△ Q67C	iX632620	TR 2SC4793 O, Y
△ # Q68	V6063900	TR 2SC5358 O, R
△ Q69	iC224030	TR 2SC2240 GR, BL
△ Q71	VE198700	TR 2SA1145 O, Y
△ # Q72	V6063900	TR 2SC5358 O, R
△ Q73	VE198800	TR 2SC2705 O, Y
△ Q74A	iX632610	TR 2SA1837 O, Y
△ Q74C	iX632620	TR 2SC4793 O, Y
△ # Q75	V6063900	TR 2SC5358 O, R
△ Q76	iC224030	TR 2SC2240 GR, BL
△ Q78	VE198700	TR 2SA1145 O, Y
△ # Q79	V6063900	TR 2SC5358 O, R
△ Q80	VE198800	TR 2SC2705 O, Y
△ Q81A	iX632610	TR 2SA1837 O, Y
△ Q81C	iX632620	TR 2SC4793 O, Y
△ # Q82	V6063900	TR 2SC5358 O, R
△ Q83	iC224030	TR 2SC2240 GR, BL
△ Q85	VE198700	TR 2SA1145 O, Y
△ # Q86	V6063900	TR 2SC5358 O, R
△ Q87	VE198800	TR 2SC2705 O, Y
△ Q88A	iX632610	TR 2SA1837 O, Y
△ Q88C	iX632620	TR 2SC4793 O, Y
△ # Q89	V6063900	TR 2SC5358 O, R
△ Q90	iC224030	TR 2SC2240 GR, BL
△ Q92	VE198700	TR 2SA1145 O, Y
△ # Q93	V6063900	TR 2SC5358 O, R
△ Q94	iA097000	TR 2SA970 GR, BL
△ R1	HL315150	R. MTL. OXD 150 1W
△ R4	HL315150	R. MTL. OXD 150 1W
△ R5	HV455220	R. CAR. FP 220 1/4W
△ R6	HV455220	R. CAR. FP 220 1/4W
△ R7	HV454100	R. CAR. FP 10 1/4W
R8	HV456330	R. CAR. FP 3.3K 1/4W
R9	HV455100	R. CAR. FP 100 1/4W
R10	HV455100	R. CAR. FP 100 1/4W
R13	HV455100	R. CAR. FP 100 1/4W
R14	HV455100	R. CAR. FP 100 1/4W
R15	HV456470	R. CAR. FP 4.7K 1/4W
△ R16	HV454100	R. CAR. FP 10 1/4W

* New Parts

* New Parts

P.C.B. MAIN

Schm Ref.	PART NO.	Description		
△ R17	HL315100	R.MTL.OXD	100	1W
△ R32	HV454470	R.CAR.FP	47	1/4W
△ R33	HV455680	R.CAR.FP	680	1/4W
△ R34	HV455680	R.CAR.FP	680	1/4W
△ R35	HV455100	R.CAR.FP	100	1/4W
△ R37	HV455470	R.CAR.FP	470	1/4W
△ R42	HV455470	R.CAR.FP	470	1/4W
△ R45	HV456680	R.CAR.FP	6.8K	1/4W
△ R50	HV455120	R.CAR.FP	120	1/4W
△ R52	HV456680	R.CAR.FP	6.8K	1/4W
△ R53	HV454470	R.CAR.FP	47	1/4W
△ R54	HV455680	R.CAR.FP	680	1/4W
△ R55	HV455680	R.CAR.FP	680	1/4W
△ R56	HV455100	R.CAR.FP	100	1/4W
△ R58	HV455470	R.CAR.FP	470	1/4W
△ R63	HV455470	R.CAR.FP	470	1/4W
△ R66	HV456680	R.CAR.FP	6.8K	1/4W
△ R71	HV455120	R.CAR.FP	120	1/4W
△ R73	HV456680	R.CAR.FP	6.8K	1/4W
△ R74	HV454470	R.CAR.FP	47	1/4W
△ R75	HV455680	R.CAR.FP	680	1/4W
△ R76	HV455680	R.CAR.FP	680	1/4W
△ R77	HV455100	R.CAR.FP	100	1/4W
△ R79	HV455470	R.CAR.FP	470	1/4W
△ R84	HV455470	R.CAR.FP	470	1/4W
△ R87	HV456680	R.CAR.FP	6.8K	1/4W
△ R92	HV455120	R.CAR.FP	120	1/4W
△ R94	HV456680	R.CAR.FP	6.8K	1/4W
△ R95	HV455680	R.CAR.FP	680	1/4W
△ R96	HV455680	R.CAR.FP	680	1/4W
△ R97	HV455100	R.CAR.FP	100	1/4W
△ R99	HV455470	R.CAR.FP	470	1/4W
△ R104	HV455470	R.CAR.FP	470	1/4W
△ R107	HV456680	R.CAR.FP	6.8K	1/4W
△ R112	HV455120	R.CAR.FP	120	1/4W
△ R114	HV456680	R.CAR.FP	6.8K	1/4W
△ R116	HV455680	R.CAR.FP	680	1/4W
△ R117	HV455680	R.CAR.FP	680	1/4W
△ R118	HV455100	R.CAR.FP	100	1/4W
△ R120	HV455470	R.CAR.FP	470	1/4W
△ R125	HV455470	R.CAR.FP	470	1/4W
△ R128	HV456680	R.CAR.FP	6.8K	1/4W
△ R133	HV455120	R.CAR.FP	120	1/4W
△ R134	HV456680	R.CAR.FP	6.8K	1/4W
△ R137	HV455680	R.CAR.FP	680	1/4W
△ R138	HV455680	R.CAR.FP	680	1/4W
△ R139	HV455100	R.CAR.FP	100	1/4W
△ R141	HV455470	R.CAR.FP	470	1/4W
△ R146	HV455470	R.CAR.FP	470	1/4W
△ R150	HV456680	R.CAR.FP	6.8K	1/4W
△ R154	HV455120	R.CAR.FP	120	1/4W
△ R155	HV456680	R.CAR.FP	6.8K	1/4W
△ R159	HV453470	R.CAR.FP	4.7	1/4W

* New Parts

Schm Ref.	PART NO.	Description		
△ R161	HV456120	R.CAR.FP	1.2K	1/4W
△ R162	HV455150	R.CAR.FP	150	1/4W
△ R164	HV455150	R.CAR.FP	150	1/4W
△ R165	VR412900	R.MTL.OXD	0.1	3W
△ R169	HV453470	R.CAR.FP	4.7	1/4W
△ R170	HV455470	R.CAR.FP	470	1/4W
△ R171	HV453470	R.CAR.FP	4.7	1/4W
△ R172	HV455100	R.CAR.FP	100	1/4W
△ R173	HV455560	R.CAR.FP	560	1/4W
△ R175	HV453470	R.CAR.FP	4.7	1/4W
△ R177	HV456120	R.CAR.FP	1.2K	1/4W
△ R178	HV455150	R.CAR.FP	150	1/4W
△ R180	HV455150	R.CAR.FP	150	1/4W
△ R181	VR412900	R.MTL.OXD	0.1	3W
△ R185	HV453470	R.CAR.FP	4.7	1/4W
△ R186	HV455470	R.CAR.FP	470	1/4W
△ R187	HV453470	R.CAR.FP	4.7	1/4W
△ R188	HV455100	R.CAR.FP	100	1/4W
△ R189	HV455560	R.CAR.FP	560	1/4W
△ R191	HV453470	R.CAR.FP	4.7	1/4W
△ R192	HV456120	R.CAR.FP	1.2K	1/4W
△ R193	HV455150	R.CAR.FP	150	1/4W
△ R194	HV455150	R.CAR.FP	150	1/4W
△ R195	VR412900	R.MTL.OXD	0.1	3W
△ R199	HV453470	R.CAR.FP	4.7	1/4W
△ R200	HV455470	R.CAR.FP	470	1/4W
△ R201	HV453470	R.CAR.FP	4.7	1/4W
△ R202	HV455100	R.CAR.FP	100	1/4W
△ R203	HV455560	R.CAR.FP	560	1/4W
△ R205	HV453470	R.CAR.FP	4.7	1/4W
△ R206	HV456120	R.CAR.FP	1.2K	1/4W
△ R207	HV455150	R.CAR.FP	150	1/4W
△ R208	HV455150	R.CAR.FP	150	1/4W
△ R209	VR412900	R.MTL.OXD	0.1	3W
△ R213	HV453470	R.CAR.FP	4.7	1/4W
△ R214	HV455470	R.CAR.FP	470	1/4W
△ R215	HV453470	R.CAR.FP	4.7	1/4W
△ R216	HV455100	R.CAR.FP	100	1/4W
△ R217	HV455560	R.CAR.FP	560	1/4W
△ R219	HV453470	R.CAR.FP	4.7	1/4W
△ R220	HV456120	R.CAR.FP	1.2K	1/4W
△ R221	HV455150	R.CAR.FP	150	1/4W
△ R222	HV455150	R.CAR.FP	150	1/4W
△ R223	VR412900	R.MTL.OXD	0.1	3W
△ R227	HV453470	R.CAR.FP	4.7	1/4W
△ R228	HV455470	R.CAR.FP	470	1/4W
△ R229	HV453470	R.CAR.FP	4.7	1/4W
△ R230	HV455100	R.CAR.FP	100	1/4W
△ R231	HV455560	R.CAR.FP	560	1/4W
△ R233	HV453470	R.CAR.FP	4.7	1/4W
△ R234	HV456120	R.CAR.FP	1.2K	1/4W
△ R235	HV455150	R.CAR.FP	150	1/4W
△ R236	HV455150	R.CAR.FP	150	1/4W

* New Parts

P.C.B. MAIN & FUNCTION

Schm Ref.	PART NO.	Description		
△ R237	VR412900	R.MTL.OXD	0.1	3W
△ R241	HV453470	R.CAR.FP	4.7	1/4W
△ R242	HV455470	R.CAR.FP	470	1/4W
△ R243	HV453470	R.CAR.FP	4.7	1/4W
△ R244	HV455100	R.CAR.FP	100	1/4W
△ R245	HV455560	R.CAR.FP	560	1/4W
△ R250	HV454100	R.CAR.FP	10	1/4W
△ R251	HV453100	R.CAR.FP	1	1/4W
△ R253	HV454100	R.CAR.FP	10	1/4W
△ R254	HV453100	R.CAR.FP	1	1/4W
△ R255	HV454100	R.CAR.FP	10	1/4W
△ R257	HV453100	R.CAR.FP	1	1/4W
△ R258	HV454100	R.CAR.FP	10	1/4W
△ R261	HV453100	R.CAR.FP	1	1/4W
△ R262	HV454100	R.CAR.FP	10	1/4W
△ R265	HV453100	R.CAR.FP	1	1/4W
△ R267	HV454100	R.CAR.FP	10	1/4W
△ R269	HV453100	R.CAR.FP	1	1/4W
* RY1	V6322600	RELAY	DC DH24D2-0T(M)-SL	
* RY2	V6322600	RELAY	DC DH24D2-0T(M)-SL	
* RY3	V6322600	RELAY	DC DH24D2-0T(M)-SL	
* RY4	V6322600	RELAY	DC DH24D2-0T(M)-SL	
* RY5	V6322600	RELAY	DC DH24D2-0T(M)-SL	
SW1	VZ075500	SW.SLIDE	SL14-22AM5F	
* TE1	V5909700	TERM.SP	4P(GL)	
* TE1	V5909800	TERM.SP	4P(UCRTA)	
* TE2	V5909900	TERM.SP	8P(GL)	
* TE2	V5910000	TERM.SP	8P(UCRTA)	
* TE3	V5909900	TERM.SP	8P(GL)	
* TE3	V5910000	TERM.SP	8P(UCRTA)	
	VK697600	SCR.BND.HD	3x10 SP ZMC2-Y	
*	V6605000	P.C.B.	FUNCTION(UC)	
*	V6605100	P.C.B.	FUNCTION(RT)	
*	V6605200	P.C.B.	FUNCTION(AL)	
*	V6605300	P.C.B.	FUNCTION(G)	
CB501	VQ963200	CN.BS.PIN	11P	
CB502	VQ047900	CN	29P	
CB503	VQ963200	CN.BS.PIN	11P	
CB505	VM929900	CN.BS.PIN	15P	
CB507	VB858200	CN.BS.PIN	3P	
CB508	VQ047400	CN.BS.PIN	19P	
CB509	VQ044500	CN.BS.PIN	11P	
CB510	VM859600	CN.BS.PIN	15P	
CB511	VM973500	CN.BS.PIN	17P	
CB512	VB858400	CN.BS.PIN	5P	
CB513	VB858200	CN.BS.PIN	3P	
CB515	VQ047300	CN.BS.PIN	12P	
CB516	VF982200	CN.BS.PIN	14P	
CB517	VB858200	CN.BS.PIN	3P	
C501	VD930900	C.CE.SMI	0.1uF	25V

* New Parts

Schm Ref.	PART NO.	Description		
C503	UP652470	C.POL	470pF	100V
C504	UP652470	C.POL	470pF	100V
C505	UP652470	C.POL	470pF	100V
C506	UP652470	C.POL	470pF	100V
C507	UP652470	C.POL	470pF	100V
C508	UP652470	C.POL	470pF	100V
C509	UP652470	C.POL	470pF	100V
C510	UP652470	C.POL	470pF	100V
C511	UP652470	C.POL	470pF	100V
C512	UP652470	C.POL	470pF	100V
C513	UU166100	C.EL	1uF	50V
C514	UP652220	C.POL	220pF	100V(ALG)
C515	UP652220	C.POL	220pF	100V
C516	UU118220	C.EL	220uF	6.3V
C517	UP652220	C.POL	220pF	100V(ALG)
C518	UP652220	C.POL	220pF	100V
C519	UU118220	C.EL	220uF	6.3V
C520	UU166100	C.EL	1uF	50V
C521	UP652470	C.POL	470pF	100V
C522	UP652470	C.POL	470pF	100V
C523	UU166470	C.EL	4.7uF	50V
C524	UP652470	C.POL	470pF	100V
C525	UP652470	C.POL	470pF	100V
C526	UU166470	C.EL	4.7uF	50V
C527	UU166470	C.EL	4.7uF	50V
C528	UP652470	C.POL	470pF	100V
C529	UP652470	C.POL	470pF	100V
C530	UU166220	C.EL	2.2uF	50V
C531	UP652470	C.POL	470pF	100V
C532	UP652470	C.POL	470pF	100V
C533	UU166220	C.EL	2.2uF	50V
C534	UU147100	C.EL	10uF	25V
C535	UA654390	C.MYLAR	0.039uF	50V
C536	UA654110	C.MYLAR	0.011uF	50V
C537	UA654390	C.MYLAR	0.039uF	50V
C538	UA654110	C.MYLAR	0.011uF	50V
C539	UU147100	C.EL	10uF	25V
C540	UU147100	C.EL	10uF	25V
C541	UU147100	C.EL	10uF	25V
C542	UU147100	C.EL	10uF	25V
C543	UU137470	C.EL	47uF	16V(UCRTAL)
C544	UU137470	C.EL	47uF	16V(UCRTAL)
C545	UU147100	C.EL	10uF	25V
C546	UU147100	C.EL	10uF	25V
C547	UA653100	C.MYLAR	1000pF	50V
C548	UU137470	C.EL	47uF	16V
C549	UU138100	C.EL	100uF	16V
C550	UU138100	C.EL	100uF	16V
C551	UA653100	C.MYLAR	1000pF	50V
C552	UU137470	C.EL	47uF	16V
C553	UU137470	C.EL	47uF	16V
C554	UU137470	C.EL	47uF	16V
C555	UU166100	C.EL	1uF	50V(UCRTAL)

* New Parts

P.C.B. FUNCTION

Schm Ref.	PART NO.	Description		
C556	UU137470	C. EL	47uF	16V
C557	UP652100	C. POL	100pF	100V(UCRTAL)
C558	UP652100	C. POL	100pF	100V(UCRTAL)
C559	UU137470	C. EL	47uF	16V
C560	UU166100	C. EL	1uF	50V(UCRTAL)
C561	UU147100	C. EL	10uF	25V
C562	UU166470	C. EL	4.7uF	50V
C563	UU166470	C. EL	4.7uF	50V
C564	UP652100	C. POL	100pF	100V
C565	UU166470	C. EL	4.7uF	50V
C566	UP652100	C. POL	100pF	100V
C567	UU166470	C. EL	4.7uF	50V
C568	UU147100	C. EL	10uF	25V
C569	UU147100	C. EL	10uF	25V(UCRTAL)
C570	UU147100	C. EL	10uF	25V(UCRTAL)
C571	UU166100	C. EL	1uF	50V(UCRTAL)
C572	UU137220	C. EL	22uF	16V
C573	UP654270	C. POL	0.027uF	100V
C574	UP654270	C. POL	0.027uF	100V
C575	UU137220	C. EL	22uF	16V
C577	UU147100	C. EL	10uF	25V
C579	UU147100	C. EL	10uF	25V
C582	US135100	C. CE . CHP	0.1uF	16V
C583	UP654270	C. POL	0.027uF	100V
C586	UP654270	C. POL	0.027uF	100V
C587	UU147100	C. EL	10uF	25V
C588	UU147100	C. EL	10uF	25V
C589	UU147100	C. EL	10uF	25V
C590	UU147100	C. EL	10uF	25V
C591	US135100	C. CE . CHP	0.1uF	16V
C592	UU166220	C. EL	2.2uF	50V(UCRTAL)
C593	UU147100	C. EL	10uF	25V
C594	UU147100	C. EL	10uF	25V
C595	UU137470	C. EL	47uF	16V
C596	UU137470	C. EL	47uF	16V
C597	UU147100	C. EL	10uF	25V
C598	UU147100	C. EL	10uF	25V
C599	UU147100	C. EL	10uF	25V
C600	UU147100	C. EL	10uF	25V
C601	US063100	C. CE . M . CHP	1000pF	50V
C602	US063100	C. CE . M . CHP	1000pF	50V
C603	US135100	C. CE . CHP	0.1uF	16V
C604	US135100	C. CE . CHP	0.1uF	16V
C605	US135100	C. CE . CHP	0.1uF	16V
C606	US135100	C. CE . CHP	0.1uF	16V
C607	UU119100	C. EL	1000uF	6.3V
C608	US135100	C. CE . CHP	0.1uF	16V
C609	UU137470	C. EL	47uF	16V
C610	US135100	C. CE . CHP	0.1uF	16V
C611	US135100	C. CE . CHP	0.1uF	16V
C612	US135100	C. CE . CHP	0.1uF	16V
C613	US135100	C. CE . CHP	0.1uF	16V
C614	US135100	C. CE . CHP	0.1uF	16V

* New Parts

Schm Ref.	PART NO.	Description		
C615	US135100	C. CE . CHP	0.1uF	16V
C616	US135100	C. CE . CHP	0.1uF	16V
C617	US135100	C. CE . CHP	0.1uF	16V
C618	US063100	C. CE . M . CHP	1000pF	50V
C619	US135100	C. CE . CHP	0.1uF	16V
C620	US135100	C. CE . CHP	0.1uF	16V
C621	US135100	C. CE . CHP	0.1uF	16V
C622	US135100	C. CE . CHP	0.1uF	16V
C623	UU147100	C. EL	10uF	25V
C624	UU147100	C. EL	10uF	25V
C625	US135100	C. CE . CHP	0.1uF	16V
C626	US135100	C. CE . CHP	0.1uF	16V
C627	US135100	C. CE . CHP	0.1uF	16V
C628	US135100	C. CE . CHP	0.1uF	16V
C629	UU147100	C. EL	10uF	25V
C630	US135100	C. CE . CHP	0.1uF	16V
C631	US135100	C. CE . CHP	0.1uF	16V
C632	US135100	C. CE . CHP	0.1uF	16V
C633	UU165470	C. EL	0.47uF	50V
C634	US135100	C. CE . CHP	0.1uF	16V
C635	UP652100	C. POL	100pF	100V
C636	UP652100	C. POL	100pF	100V
C637	UU147100	C. EL	10uF	25V
C638	UU147100	C. EL	10uF	25V
C639	UU147100	C. EL	10uF	25V
C640	UU147100	C. EL	10uF	25V
C641	UU147100	C. EL	10uF	25V
C642	UP652100	C. POL	100pF	100V
C643	UP652100	C. POL	100pF	100V
C644	US135100	C. CE . CHP	0.1uF	16V
C645	UU137470	C. EL	47uF	16V
C646	UU147100	C. EL	10uF	25V
C647	US135100	C. CE . CHP	0.1uF	16V
C648	UU137470	C. EL	47uF	16V
C649	UU137470	C. EL	47uF	16V
C650	UU137470	C. EL	47uF	16V
C651	UU137470	C. EL	47uF	16V
C652	UP652100	C. POL	100pF	100V
C653	UP652100	C. POL	100pF	100V
C654	UU147100	C. EL	10uF	25V
C655	UU118100	C. EL	100uF	6.3V
C656	UU147100	C. EL	10uF	25V
C657	UU147100	C. EL	10uF	25V
C658	UU118100	C. EL	100uF	6.3V
C659	US135100	C. CE . CHP	0.1uF	16V
C660	UU119100	C. EL	1000uF	6.3V
C661	UU119100	C. EL	1000uF	6.3V
C662	VT740700	C. EL	4700uF	5.5V
C663	US135100	C. CE . CHP	0.1uF	16V
C664	UU119100	C. EL	1000uF	6.3V
C665	UU137470	C. EL	47uF	16V
C666	UU137470	C. EL	47uF	16V
C667	UU137470	C. EL	47uF	16V

* New Parts

P.C.B. FUNCTION

Schm Ref.	PART NO.	Description		
C668	UU137470	C. EL	47uF	16V
C669	UP652100	C. POL	100pF	100V
C671	US135100	C. CE. CHP	0.1uF	16V
C673	US135100	C. CE. CHP	0.1uF	16V
C674	US135100	C. CE. CHP	0.1uF	16V
C675	UU147100	C. EL	10uF	25V
C676	UU147100	C. EL	10uF	25V
C677	UU166220	C. EL	2.2uF	50V
C678	UU166220	C. EL	2.2uF	50V
C679	UU166220	C. EL	2.2uF	50V
C680	UU166220	C. EL	2.2uF	50V
C681	UU166220	C. EL	2.2uF	50V
C682	UU147100	C. EL	10uF	25V
C683	US063100	C. CE. M. CHP	1000pF	50V
C684	US063100	C. CE. M. CHP	1000pF	50V
C685	US135100	C. CE. CHP	0.1uF	16V
C686	US135100	C. CE. CHP	0.1uF	16V
C687	US135100	C. CE. CHP	0.1uF	16V
C688	US135100	C. CE. CHP	0.1uF	16V
C689	UU147100	C. EL	10uF	25V
C692	VD930900	C. CE. SMI	0.1uF	25V
C693	US135100	C. CE. CHP	0.1uF	16V
C694	US135100	C. CE. CHP	0.1uF	16V
C695	US135100	C. CE. CHP	0.1uF	16V
C696	US135100	C. CE. CHP	0.1uF	16V
C697	UU149100	C. EL	1000uF	25V
D501	VG437400	DIODE. ZENR	MTZJ5.1B(UCRTAL)	
D502	VT332900	DIODE	1SS355	
D503	VG438100	DIODE. ZENR	MTZJ6.2C(RT)	
D503	VG438200	DIODE. ZENR	MTZJ6.8A(UCALG)	
D504	VV220700	DIODE. SHOT	RB501V-40	
D505	VV220700	DIODE. SHOT	RB501V-40	
D506	VV220700	DIODE. SHOT	RB501V-40	
D507	VV220700	DIODE. SHOT	RB501V-40	
D508	VT332900	DIODE	1SS355	
D509	iF004600	DIODE	1SS133	
D510	VT332900	DIODE	1SS355	
D511	VG437700	DIODE. ZENR	MTZJ5.6B	5.6V
D512	VG437700	DIODE. ZENR	MTZJ5.6B	5.6V
D513	VT332900	DIODE	1SS355	
D514	iF004600	DIODE	1SS133	
D515	iF004600	DIODE	1SS133	
D516	VG437300	DIODE. ZENR	MTZJ5.1A	5.1V
D517	VG437300	DIODE. ZENR	MTZJ5.1A	5.1V
D518	VT332900	DIODE	1SS355	
IC501	XJ553A00	IC	NJM2068MD	
IC502	XP895A00	IC	LC78212	
IC503	XP894A00	IC	LC78211	
IC504	XP895A00	IC	LC78212	
IC505	XP896A00	IC	LC78213	
IC506	XF291A00	IC	uPC4570G2	
IC507	XF291A00	IC	uPC4570G2	
IC508	XF291A00	IC	uPC4570G2	

* New Parts

Schm Ref.	PART NO.	Description		
IC509	XF291A00	IC	uPC4570G2(UCRTAL)	
IC510	XS884A00	IC	LC7536Y(UCRTAL)	
IC511	XF291A00	IC	uPC4570G2	
IC512	XP894A00	IC	LC78211	
IC513	XF291A00	IC	uPC4570G2	
IC514	XF291A00	IC	uPC4570G2	
IC515	XF291A00	IC	uPC4570G2	
IC516	XW173A00	IC	CS3310-KS	
IC517	XW173A00	IC	CS3310-KS	
IC518	XW173A00	IC	CS3310-KS	
IC519	XW173A00	IC	CS3310-KS	
IC520	XW173A00	IC	CS3310-KS	
IC521	XF291A00	IC	uPC4570G2	
IC522	XP896A00	IC	LC78213	
IC523	XF291A00	IC	uPC4570G2	
IC524	XF291A00	IC	uPC4570G2	
IC525	XF291A00	IC	uPC4570G2	
IC526	XY892A00	IC.CPU	M30802SGP CPU	
IC527	XZ450B00	IC	MBM29F400BC-70	
IC528	XJ604A00	IC	NJM78M05FA	
PJ501	V3855600	JACK.PIN	4P	
PJ502	V3855600	JACK.PIN	4P	
PJ503	V4198900	JACK.PIN	4P	LPR6520-B71
PJ504	V4199200	JACK.PIN	6P	
PN501	V3750200	PIN	L=70	
PN502	V3750200	PIN	L=70	
PN503	V3750200	PIN	L=70	
Q501	VD303700	TR	2SC3326(UCRTAL)	
Q502	VD303700	TR	2SC3326(UCRTAL)	
Q503	VV556500	TR	2SA1037K(UCRTAL)	
Q504	VV556500	TR	2SA1037K(UCRTAL)	
Q504	VV556500	TR	2SA1037K Q,R,S	
Q505	VV556400	TR	2SC2412K Q,R,S	
Q506	VV556500	TR	2SA1037K Q,R,S	
Q507	VV655700	TR.DGT	DTC144EKA	
Q508	VP872700	TR	2SC4488 S,T	
Q509	VP872600	TR	2SA1708 S,T	
Q510	VD303700	TR	2SC3326 A,B	
Q511	VV556500	TR	2SA1037K Q,R,S	
Q512	VD303700	TR	2SC3326 A,B	
Q513	VV556500	TR	2SA1037K Q,R,S	
Q514	VD303700	TR	2SC3326 A,B	
Q515	VD303700	TR	2SC3326 A,B	
Q516	VD303700	TR	2SC3326 A,B	
Q517	VD303700	TR	2SC3326 A,B	
Q518	VD303700	TR	2SC3326 A,B	
Q519	VD303700	TR	2SC3326 A,B	
Q520	VD303700	TR	2SC3326 A,B	
Q521	VD303700	TR	2SC3326 A,B	
Q522	VD303700	TR	2SC3326 A,B	
Q523	VD303700	TR	2SC3326 A,B	
Q524	VD303700	TR	2SC3326 A,B	
Q525	VV556500	TR	2SA1037K Q,R,S	

* New Parts

P.C.B. FUNCTION & VIDEO

Schm Ref.	PART NO.	Description
Q526	VV556500	TR 2SA1037K Q, R, S
Q527	VV556500	TR 2SA1037K Q, R, S
Q528	VV556500	TR 2SA1037K Q, R, S
Q529	VV556500	TR 2SA1037K Q, R, S
Q530	VV556500	TR 2SA1037K Q, R, S
Q531	VV556500	TR 2SA1037K Q, R, S
Q532	VV556500	TR 2SA1037K Q, R, S
Q533	VV556500	TR 2SA1037K Q, R, S
Q534	VV556500	TR 2SA1037K Q, R, S
Q535	VV556500	TR 2SA1037K Q, R, S
Q536	VV556500	TR 2SA1037K Q, R, S
Q537	VD303700	TR 2SC3326 A, B
Q538	VD303700	TR 2SC3326 A, B
Q539	VD303700	TR 2SC3326 A, B
Q540	VD303700	TR 2SC3326 A, B
Q541	VD303700	TR 2SC3326 A, B
Q542	VD303700	TR 2SC3326 A, B
Q543	VD303700	TR 2SC3326 A, B
Q544	VD303700	TR 2SC3326 A, B
Q545	VD303700	TR 2SC3326 A, B
R565	HV455100	R. CAR. FP 100 1/4W
R568	HV455100	R. CAR. FP 100 1/4W
R601	HV453220	R. CAR. FP 2.2 1/4W
R635	HV453220	R. CAR. FP 2.2 1/4W
R648	HV454100	R. CAR. FP 10 1/4W
R719	HV453220	R. CAR. FP 2.2 1/4W
R720	HV453220	R. CAR. FP 2.2 1/4W
R822	HV453220	R. CAR. FP 2.2 1/4W
R842	HV453220	R. CAR. FP 2.2 1/4W
ST501	BB071360	SCR. TERM 8. 3x13
XL501	VT630600	RSNR. CE 16MHz CST
*	V6606000	P. C. B. VIDEO(UCRT)
*	V6606100	P. C. B. VIDEO(AL)
*	V6606200	P. C. B. VIDEO(G)
CB551	VQ961400	CN. BS. PIN 11P
CB552	VQ961400	CN. BS. PIN 11P
CB561	VQ963200	CN. BS. PIN 11P
CB562	VQ963200	CN. BS. PIN 11P
CB563	VQ961400	CN. BS. PIN 11P
CB564	VQ961400	CN. BS. PIN 11P
CB601	VM929900	CN. BS. PIN 15P
CB602	VN066500	CN. BS. PIN 12P
CB701	VM929900	CN. BS. PIN 15P
CB702	LB919030	CN. BS. PIN 3P
CB751	VB858300	CN. BS. PIN 4P
CB752	VM859600	CN. BS. PIN 15P
CB951	V3768800	SOCKET 17LE-23090-28
CB952	VQ044500	CN. BS. PIN 11P
C551	UP652470	C. POL 470pF 100V
C552	UP652470	C. POL 470pF 100V

* New Parts

Schm Ref.	PART NO.	Description
C553	UP652470	C. POL 470pF 100V
C554	UP652470	C. POL 470pF 100V
C555	UP652470	C. POL 470pF 100V
C556	UP652470	C. POL 470pF 100V
C557	UP652470	C. POL 470pF 100V
C558	UP652470	C. POL 470pF 100V
C559	UP652470	C. POL 470pF 100V
C560	UP652470	C. POL 470pF 100V
C561	UP652470	C. POL 470pF 100V
C562	UP652470	C. POL 470pF 100V
C563	UP652470	C. POL 470pF 100V
C564	UP652470	C. POL 470pF 100V
C565	UP652470	C. POL 470pF 100V
C566	UP652470	C. POL 470pF 100V
C567	UP652470	C. POL 470pF 100V(UCRTAL)
C568	UP652470	C. POL 470pF 100V(UCRTAL)
C601	US062100	C. CE. M. CHP 100pF 50V
C602	US062100	C. CE. M. CHP 100pF 50V
C603	US062100	C. CE. M. CHP 100pF 50V
C604	US062100	C. CE. M. CHP 100pF 50V
C605	US062100	C. CE. M. CHP 100pF 50V
C606	US062100	C. CE. M. CHP 100pF 50V
C607	US135100	C. CE. CHP 0.1uF 16V
C608	US135100	C. CE. CHP 0.1uF 16V
C609	US135100	C. CE. CHP 0.1uF 16V
C610	UR829100	C. EL 1000uF 10V
C611	VJ837200	C. EL 47uF 16V
C612	VJ837200	C. EL 47uF 16V
C613	VJ837200	C. EL 47uF 16V
C614	US135100	C. CE. CHP 0.1uF 16V
C616	US135100	C. CE. CHP 0.1uF 16V
C617	UR827470	C. EL 47uF 10V
C618	VJ837200	C. EL 47uF 16V
C619	US062820	C. CE. CHP 820pF 50V(ALG)
C619	US063150	C. CE. M. CHP 1500pF 50V(UCRT)
C620	US062270	C. CE. M. CHP 270pF 50V(ALG)
C620	US062390	390P 50V(UCRT)
C621	UR827470	C. EL 47uF 10V
C622	UR827470	C. EL 47uF 10V
C623	UR827470	C. EL 47uF 10V
C624	UR827470	C. EL 47uF 10V
C625	UR847100	C. EL 10uF 25V
C626	US135100	C. CE. CHP 0.1uF 16V
C627	US135100	C. CE. CHP 0.1uF 16V
C628	US135100	C. CE. CHP 0.1uF 16V
C629	US135100	C. CE. CHP 0.1uF 16V
C630	US060800	8pF 50V
C631	UR827470	C. EL 47uF 10V
C632	UR827470	C. EL 47uF 10V
C633	US061330	C. CE. M. CHP 33pF 50V
C634	US064100	C. CE. M. CHP 0.01uF 50V
C635	UR827470	C. EL 47uF 10V
C636	UM416470	C. EL 4.7uF 50V

* New Parts

P.C.B. VIDEO

Schm Ref.	PART NO.	Description
C637	UM416470	C. EL 4.7uF 50V
C638	US135100	C. CE. CHP 0.1uF 16V
C639	US063120	C. CE. M. CHP 1200pF 50V
C640	US062470	C. CE. M. CHP 470pF 50V
C641	VJ839100	C. EL 1uF 50V
C642	VJ839100	C. EL 1uF 50V
C643	US060700	C. CE. CHP 7pF 50V
C644	US061240	C. CE. CHP 24pF 50V
C645	US061240	C. CE. CHP 24pF 50V
C646	US062220	C. CE. CHP 220pF 50V
C647	US062120	C. CE. CHP 120pF 50V
C648	UR827470	C. EL 47uF 10V
C649	US135100	C. CE. CHP 0.1uF 16V
C650	US135100	C. CE. CHP 0.1uF 16V
C651	UR847100	C. EL 10uF 25V
C652	US135100	C. CE. CHP 0.1uF 16V
C701	US062100	C. CE. M. CHP 100pF 50V
C702	US062100	C. CE. M. CHP 100pF 50V
C703	US062100	C. CE. M. CHP 100pF 50V
C704	US062100	C. CE. M. CHP 100pF 50V(UCRTAL)
C705	UR847100	C. EL 10uF 25V
C706	UR829100	C. EL 1000uF 10V
C707	UR827470	C. EL 47uF 10V
C708	UR827470	C. EL 47uF 10V
C709	UR827470	C. EL 47uF 10V
C710	UR827470	C. EL 47uF 10V
C711	UR827470	C. EL 47uF 10V(UCRTAL)
C712	US135220	C. CE. CHP 0.22uF 16V
C713	UR827470	C. EL 47uF 10V
C714	UR827470	C. EL 47uF 10V
C715	US135100	C. CE. CHP 0.1uF 16V
C716	US135100	C. CE. CHP 0.1uF 16V
C717	VF760000	C. EL 100uF 10V
C718	VJ837200	C. EL 47uF 16V
C719	US135100	C. CE. CHP 0.1uF 16V
C720	US135100	C. CE. CHP 0.1uF 16V
C721	US135100	C. CE. CHP 0.1uF 16V
C722	US135100	C. CE. CHP 0.1uF 16V
C751	VF466800	C. CE. TUBLR 100pF 50V
C752	VF466800	C. CE. TUBLR 100pF 50V
C753	VF466800	C. CE. TUBLR 100pF 50V
C757	UP652470	C. POL 470pF 100V
C758	UP652470	C. POL 470pF 100V
C759	UP652470	C. POL 470pF 100V
C760	UP652470	C. POL 470pF 100V
C761	VR169200	C. MYLAR. ML ECQ-V1H474JL3
C762	UP652470	C. POL 470pF 100V
C763	UP652470	C. POL 470pF 100V
C764	UP652100	C. POL 100pF 100V
C765	UP652100	C. POL 100pF 100V
C766	UP652100	C. POL 100pF 100V
C767	UP652100	C. POL 100pF 100V
C768	US064100	C. CE. M. CHP 0.01uF 50V

* New Parts

Schm Ref.	PART NO.	Description
C769	US064100	C. CE. M. CHP 0.01uF 50V
C770	US064100	C. CE. M. CHP 0.01uF 50V
C771	US135100	C. CE. CHP 0.1uF 16V
C772	US135100	C. CE. CHP 0.1uF 16V
C773	UR847100	C. EL 10uF 25V
C774	UR847100	C. EL 10uF 25V
C951	VF760000	C. EL 100uF 10V
C952	US135100	C. CE. CHP 0.1uF 16V
C953	US135100	C. CE. CHP 0.1uF 16V
C954	US135100	C. CE. CHP 0.1uF 16V
C955	US135100	C. CE. CHP 0.1uF 16V
C956	US135100	C. CE. CHP 0.1uF 16V
C957	US135100	C. CE. CHP 0.1uF 16V
D601	iF004600	DIODE 1SS133
D602	iF004600	DIODE 1SS133
D603	iF004600	DIODE 1SS133
D604	iF004600	DIODE 1SS133
D605	iF004600	DIODE 1SS133
D606	iF004600	DIODE 1SS133
D607	iF004600	DIODE 1SS133
D608	iF004600	DIODE 1SS133
D609	iF004600	DIODE 1SS133
D610	iF004600	DIODE 1SS133
D951	iF004600	DIODE 1SS133(UCRTAL)
IC601	XW939A00	IC TK15420M VIDEO AMP
IC602	XL493A00	IC TC74HC4051AP
IC603	XL493A00	IC TC74HC4051AP
IC604	XL493A00	IC TC74HC4051AP
IC605	XL493A00	IC TC74HC4051AP
IC606	iR405300	IC TC74HC4053AP(UCRTAL)
IC607	iR405300	IC TC74HC4053AP
IC608	iG142200	IC TC74HCU04AP
IC609	XY443A00	IC LA7109 6CH
IC610	XZ060A00	IC LC74781-9798
IC611	XW416A00	IC BU2092 SER/PAR
IC701	XW911A00	IC LA7108M VIDEO AMP
IC702	XL493A00	IC TC74HC4051AP
IC703	XL493A00	IC TC74HC4051AP
IC704	iR405300	IC TC74HC4053AP(UCRTAL)
IC704	iR405300	IC TC74HC4053AP
IC751	XZ177A00	IC LA7104M VIDEO AMP
IC752	iR405300	IC TC74HC4053AP
* IC951	XZ617A00	IC HIN202ECBN-T
JK601	VP113600	CN. DIN 2P
JK602	VP113600	CN. DIN 2P
JK603	VP113600	CN. DIN 2P
JK604	VP113600	CN. DIN 2P
JK605	VQ960400	CN. DIN 1P(G)
JK606	VQ960400	CN. DIN 1P(UCRTAL)
JK951	VJ726800	JACK. MNI (UCRTAL)
JK952	VJ726800	JACK. MNI (UCRTAL)
JK953	VJ726800	JACK. MNI (UCRTAL)
L602	V3233700	COIL 1.5uH

* New Parts

P.C.B. VIDEO & OPERATION

Schm Ref.	PART NO.	Description	
L603	V6236000	COIL	4.7uH LAV35VB4R7K
L605	V2726100	COIL	33uH
PJ551	V3855600	JACK.PIN	4P
PJ552	V3855600	JACK.PIN	4P
PJ553	V3855600	JACK.PIN	4P
PJ554	V3855600	JACK.PIN	4P(G)
* PJ554	V3856100	JACK.PIN	6P(UCRTAL)
PJ701	VN134600	JACK.PIN	1P
PJ702	VR110100	JACK.PIN	2P
PJ703	VR110100	JACK.PIN	2P
PJ704	VR110100	JACK.PIN	2P
PJ705	VJ695900	JACK.PIN	3P(UCRTAL)
PJ705	VR110100	JACK.PIN	2P(G)
* PJ751	V6236200	JACK.PIN	3P YKC21-4144
* PJ752	V6236200	JACK.PIN	3P YKC21-4144
* PJ753	V6236200	JACK.PIN	3P YKC21-4144
PJ754	VM725900	JACK.PIN	4P
PJ755	VJ249500	JACK.PIN	4P
* PJ756	V6360700	JACK.PIN	RED/WH LPR6521-341
PJ757	VZ668100	JACK.PIN	2P
PN601	V3750100	PIN	L=50
Q601	iC174020	TR	2SC1740S R,S
Q602	iC287820	TR	2SC2878 A,B
Q603	VD678700	TR.DGT	DTC114ES
Q604	iC174020	TR	2SC1740S R,S
Q605	iC174020	TR	2SC1740S R,S
Q606	iA101521	TR	2SA1015 Y
Q607	iC224030	TR	2SC2240 GR,BL
Q608	iC053540	TR	2SC535 A,B,C
Q609	iC287820	TR	2SC2878 A,B(G)
Q701	iC174020	TR	2SC1740S R,S
R958	HL315100	R.MTL.OXD	100 1W
R958	HL315100	R.MTL.OXD	100 1W(UCRTAL)
ST951	BB071360	SCR.TERM	8.3x13
XL601	VV949800	RSNR.CRYS	14.31818MHz(UCRT)
XL601	VV949900	RSNR.CRYS	17.734475MHz(ALG)
*	V6601000	P.C.B.	OPERATION(UCRALT)
*	V6601100	P.C.B.	OPERATION(G)
CB801	VQ044900	CN.BS.PIN	19P
CB802	VQ960800	CN.BS.PIN	5P
CB831	VQ962600	CN.BS.PIN	5P
CB901	VB858200	CN.BS.PIN	3P
CB902	VF982200	CN.BS.PIN	14P
CB935	V5478200	CN.PHOT.SN	1P GP1FA551RZ
CB936	VB858200	CN.BS.PIN	3P
C801	UU137470	C.EL	47uF 16V
C802	UU137470	C.EL	47uF 16V
C803	UU147220	C.EL	22uF 25V
C804	UU147220	C.EL	22uF 25V
C805	UU165100	C.EL	0.1uF 50V

* New Parts

Schm Ref.	PART NO.	Description	
C806	UU165100	C.EL	0.1uF 50V
C807	UU165100	C.EL	0.1uF 50V
C808	UU165100	C.EL	0.1uF 50V
C809	UU166100	C.EL	1uF 50V
C810	UU166100	C.EL	1uF 50V
C811	UU166220	C.EL	2.2uF 50V
C812	UU166220	C.EL	2.2uF 50V
C813	UP652100	C.POL	100pF 100V
C814	UP652100	C.POL	100pF 100V
C815	UU137470	C.EL	47uF 16V
C816	UU137470	C.EL	47uF 16V
* C817	VR168400	C.MYLAR.ML	ECQ-V1H124JL3
* C818	VR168400	C.MYLAR.ML	ECQ-V1H124JL3
C819	UA654330	C.MYLAR	0.033uF 50V
C820	UA654330	C.MYLAR	0.033uF 50V
C821	UU147100	C.EL	10uF 25V
C822	UU147100	C.EL	10uF 25V
C823	UU137470	C.EL	47uF 16V
C824	UU137470	C.EL	47uF 16V
C825	UU147100	C.EL	10uF 25V
C826	UU147100	C.EL	10uF 25V
C827	FG212100	C.CE	100pF 50V
C828	FG212100	C.CE	100pF 50V
C829	FG212100	C.CE	100pF 50V
C830	FG212100	C.CE	100pF 50V
C831	UU137470	C.EL	47uF 16V
C832	UU137470	C.EL	47uF 16V
C833	FG251220	C.CE	22pF 50V
C834	FG251220	C.CE	22pF 50V
C835	UU139100	C.EL	1000uF 16V
C836	UU139100	C.EL	1000uF 16V
* C837	VR168400	C.MYLAR.ML	ECQ-V1H124JL3
* C838	VR168400	C.MYLAR.ML	ECQ-V1H124JL3
C891	VF467000	C.CE.TUBLR	1000pF 50V
C892	VF467000	C.CE.TUBLR	1000pF 50V
C893	VF467000	C.CE.TUBLR	1000pF 50V
C894	VJ599100	C.CE.TUBLR	0.1uF 50V
C901	VJ599100	C.CE.TUBLR	0.1uF 50V
C902	VJ599100	C.CE.TUBLR	0.1uF 50V
C903	VJ599100	C.CE.TUBLR	0.1uF 50V
C904	VJ599100	C.CE.TUBLR	0.1uF 50V
C905	VJ599100	C.CE.TUBLR	0.1uF 50V
C906	VJ599100	C.CE.TUBLR	0.1uF 50V
C907	VJ599100	C.CE.TUBLR	0.1uF 50V
C908	US135100	C.CE.CHP	0.1uF 16V
C909	UU137100	C.EL	10uF 16V
C910	US135100	C.CE.CHP	0.1uF 16V
C911	VJ599100	C.CE.TUBLR	0.1uF 50V
C912	VJ599100	C.CE.TUBLR	0.1uF 50V
C913	VJ599100	C.CE.TUBLR	0.1uF 50V
C914	VJ599100	C.CE.TUBLR	0.1uF 50V
C915	US135100	C.CE.CHP	0.1uF 16V
C916	VJ599100	C.CE.TUBLR	0.1uF 50V

* New Parts

P.C.B. OPERATION

Schm Ref.	PART NO.	Description		
C917	VJ599100	C. CE . TUBLR	0.1uF	50V
C918	VJ599100	C. CE . TUBLR	0.1uF	50V
C919	UU167100	C. EL	10uF	50V
C920	VJ599100	C. CE . TUBLR	0.1uF	50V
* C921	UU118330	C. EL	330uF	6.3V
C922	US135100	C. CE . CHP	0.1uF	16V
C923	US062100	C. CE . M. CHP	100pF	50V
C924	US135100	C. CE . CHP	0.1uF	16V
C925	VJ599100	C. CE . TUBLR	0.1uF	50V
C926	VJ599100	C. CE . TUBLR	0.1uF	50V
C927	US060700	C. CE . CHP	7pF	50V
C935	US135100	C. CE . CHP	0.1uF	16V
C937	US135100	C. CE . CHP	0.1uF	16V
C938	US062100	C. CE . M. CHP	100pF	50V
C939	US062100	C. CE . M. CHP	100pF	50V
C940	US135100	C. CE . CHP	0.1uF	16V
C941	US135100	C. CE . CHP	0.1uF	16V
D801	VG439100	DIODE . ZENR	MTZJ9.1A	9.1V
D802	VG439100	DIODE . ZENR	MTZJ9.1A	9.1V
D803	VU264100	DIODE	1SR139-400	
D804	VU264100	DIODE	1SR139-400	
* D901	VG438300	DIODE . ZENR	MTZJ6.8B	6.8V
D902	V2598200	LED	S1R-505ST (UCRALT)	
IC801	iG001270	IC	TC4066BP	
IC802	XM356A00	IC	NJM2068LD	
IC803	XB247301	IC	uPC4570HA	
IC804	XP844A00	IC	NJM4556AL	
* IC901	XY115A00	IC	M66004MAFP-200C	
* IC902	XY115A00	IC	M66004MAFP-200C	
* JK831	V4164400	JACK . PHONE	YKB21-5209	
JK935	V2589500	CN	1P	
L935	V2726500	COIL	68uH	
PJ935	VS868400	JACK . PIN	3P	
Q801	VG721700	TR . DGT	DTA144ES	
Q802	VG722000	TR . DGT	DTC144ES	
Q803	VK432900	TR	2SD1915F S,T	
Q804	VK432900	TR	2SD1915F S,T	
Q901	VV556400	TR	2SC2412K Q,R,S	
Q902	VV556400	TR	2SC2412K Q,R,S	
Q903	VV556400	TR	2SC2412K Q,R,S	
Q904	VV556400	TR	2SC2412K Q,R,S	
Q905	VV556400	TR	2SC2412K Q,R,S	
Q906	VV556400	TR	2SC2412K Q,R,S	
Q907	VV556400	TR	2SC2412K Q,R,S	
Q908	VV556400	TR	2SC2412K Q,R,S	
Q909	VV556400	TR	2SC2412K Q,R,S	
Q910	VV556400	TR	2SC2412K Q,R,S	
Q911	VV556400	TR	2SC2412K Q,R,S	
Q935	VV556400	TR	2SC2412K Q,R,S	
Q936	VV556500	TR	2SA1037K Q,R,S	
R803	HV453330	R. CAR . FP	3.3	1/4W
R804	HV453330	R. CAR . FP	3.3	1/4W
R839	HV455100	R. CAR . FP	100	1/4W

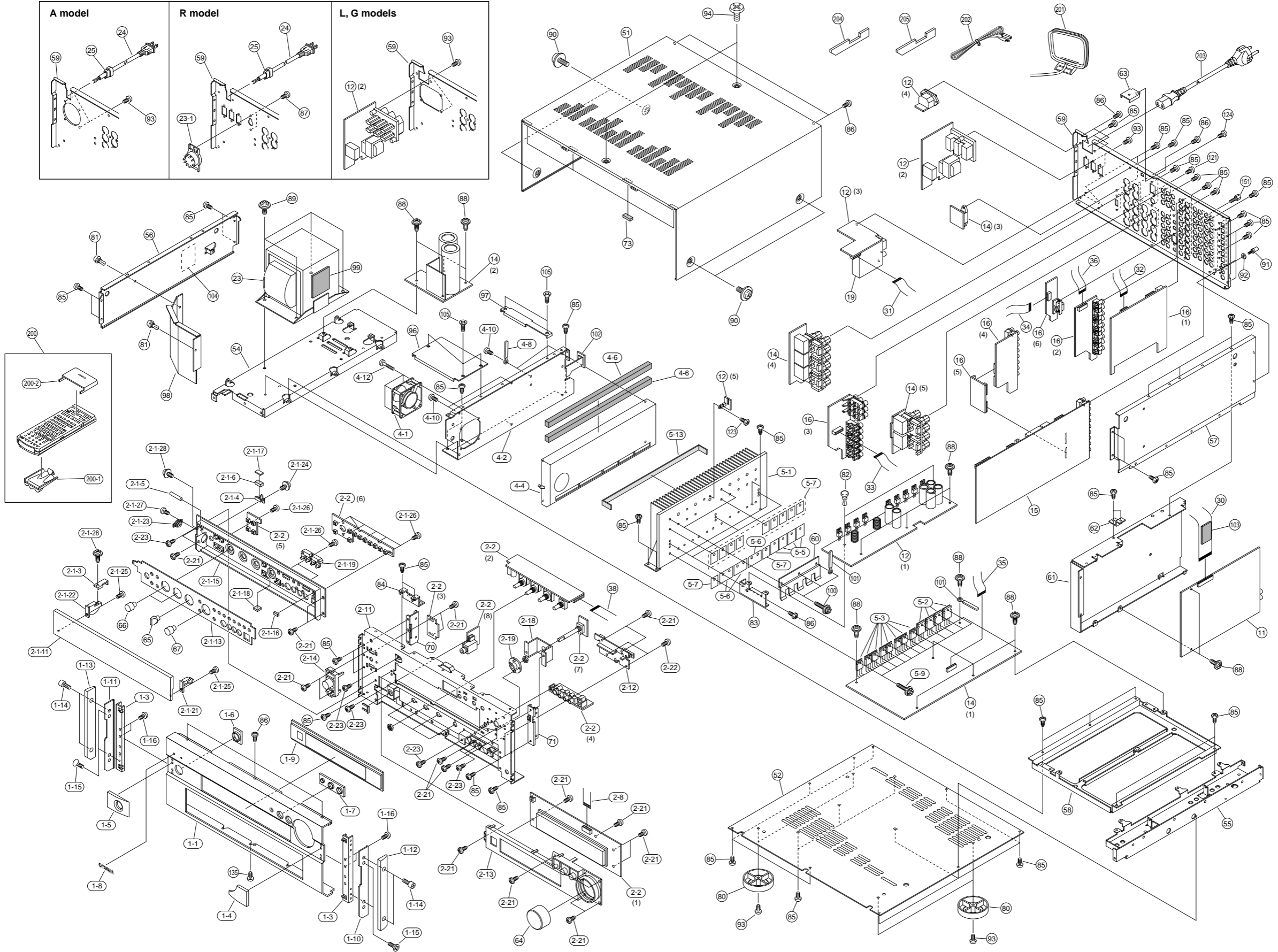
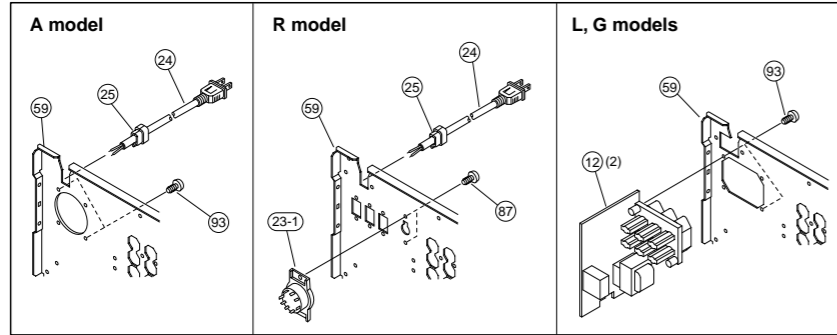
* New Parts

Schm Ref.	PART NO.	Description		
R840	HV455100	R. CAR . FP	100	1/4W
R841	HV455220	R. CAR . FP	220	1/4W
R842	HV455220	R. CAR . FP	220	1/4W
* R846	VP439800	R. MTL . FLM	2.2K	1/4W F
* R847	VP439800	R. MTL . FLM	2.2K	1/4W F
* R848	VP439800	R. MTL . FLM	2.2K	1/4W F
* R849	VP439800	R. MTL . FLM	2.2K	1/4W F
R850	VP441600	R. MTL . FLM	12K	1/4W
R851	VP441600	R. MTL . FLM	12K	1/4W
R852	VP441600	R. MTL . FLM	12K	1/4W
* R853	VP442300	R. MTL . FLM	24K	1/4W F
* R854	VP442300	R. MTL . FLM	24K	1/4W F
* R855	VP442300	R. MTL . FLM	24K	1/4W F
* R856	VP442300	R. MTL . FLM	24K	1/4W F
* R857	VP442300	R. MTL . FLM	24K	1/4W F
ST891	BB071360	SCR . TERM	8.3x13	
* ST901	VP750600	SCR . TERM	MEP1700	
ST935	BB071360	SCR . TERM	8.3x13	
* SW801	V6217400	SW . RT . ENC	REB161PHD20FHINA1	
* SW802	V6154100	SW . RT . ENC	SDB161PH20FS-1-13	
* SW901	V4757100	SW . TACT	EVQ11A	
* SW902	V4757100	SW . TACT	EVQ11A	
* SW903	V4757100	SW . TACT	EVQ11A	
* SW971	V4757100	SW . TACT	EVQ11A	
* SW972	V4757100	SW . TACT	EVQ11A	
* SW973	V4757100	SW . TACT	EVQ11A	
* SW974	V4757100	SW . TACT	EVQ11A	
* SW975	V4757100	SW . TACT	EVQ11A	
* SW976	V4757100	SW . TACT	EVQ11A	
* SW977	V4757100	SW . TACT	EVQ11A	
* SW978	V4757100	SW . TACT	EVQ11A(G)	
* SW979	V4757100	SW . TACT	EVQ11A(G)	
SW980	V4757100	SW . TACT	EVQ11A(G)	
SW981	V4757100	SW . TACT	EVQ11A(G)	
SW985	V6886700	SW . RT . ENC		
SW990	V4757100	SW . TACT	EVQ11A	
SW991	V4757100	SW . TACT	EVQ11A	
SW992	V4757100	SW . TACT	EVQ11A	
SW993	V4757100	SW . TACT	EVQ11A	
SW994	V4757100	SW . TACT	EVQ11A	
U901	VZ411100	L . DTCT	GP1U281X	
* V901	V6291200	FL . DSPLY	32-BT-07G	
VR801	VP741800	VR	B20K	
VR802	VP741900	VR	G25K	
* V6006800		SHEET		
VZ628400		SUPRT		

* New Parts

RX-V3000/RX-V3000RDS

EXPLODED VIEW



MECHANICAL PARTS

Ref. No.	PART NO.	Description	Remarks	Markets
* 1-1	V6065900	FRONT PANEL	RX-V3000GD	
* 1-1	V6076600	FRONT PANEL	RX-V3000RDSBL	
* 1-1	V6065800	FRONT PANEL	RX-V3000BL	
* 1-3	V6065300	SUPPORT/ESC		
* 1-4	V6066900	ESCUTCHEON/SIDE	R	BL
* 1-4	V6067000	ESCUTCHEON/SIDE	R	GD
* 1-5	V6067100	ESCUTCHEON/SIDE	L	BL
* 1-5	V6067200	ESCUTCHEON/SIDE	L	GD
* 1-6	V6070200	ESCUTCHEON/POWER		
* 1-7	V6070400	ESCUTCHEON, SEL		
* 1-8	V6004800	EMBLEM		BL
* 1-8	V6004900	EMBLEM		GD
* 1-9	V6070000	WINDOW PANEL, LID		
* 1-10	V6070800	SPACER/SIDE		
* 1-11	V6070900	SPACER/SIDE		
* 1-12	V6066600	PANEL/SIDE R		GD
* 1-12	V6066500	PANEL/SIDE R		BL
* 1-13	V6066700	PANEL/SIDE L		BL
* 1-13	V6066800	PANEL/SIDE L		GD
1-14	V4656300	SPECIAL SCREW	4-7 MFZN2-BL	
1-14	V4656500	SPECIAL SCREW	4-7 MFN133	
1-15	V6893800	FLAT HEAD B-TITE SCREW	2.6x8 MFZN2-BL	
1-16	ED330066	BIND HEAD SCREW	3x6 FCRM3-BL	
2-1-3	VZ619800	SUPPORT	HINGE	
2-1-4	VZ830500	SUPPORT	MG	
2-1-5	VZ621800	SHAFT	AA	
2-1-6	VZ621900	MAGNET		
* 2-1-11	V6066400	PANEL, LID		GD
* 2-1-11	V6066300	PANEL, LID		BL
* 2-1-13	V6067400	PLATE, SP	RX-V3000GD	
* 2-1-13	V6067500	PLATE, SP	RX-V3000RDSBL	G
* 2-1-13	V6067300	PLATE, SP	RX-V3000BL	UCRAT
* 2-1-15	V6068400	SUB PANEL CASE		BL
* 2-1-15	V6068500	SUB PANEL CASE		GD
2-1-16	V2048500	CUSHION, LID		GD
2-1-16	VT062900	CUSHION, LID		BL
2-1-17	V6996800	SPACER/MG		
2-1-18	VH625500	DAMPER		
* 2-1-19	V6069400	BUTTON/TU		BL
* 2-1-19	V6069600	BUTTON/TU		GD
2-1-21	V0050300	STOPPER	HINGE	GD
2-1-21	VJ888100	STOPPER	HINGE	BL
2-1-22	VZ629400	HINGE	MG	BL
2-1-22	V0047400	HINGE	MG	GD
2-1-23	VZ830300	DAMPER, GEAR	15G	
2-1-24	VQ541700	PW HEAD B-TITE SCREW	3x8-8 MFC2	
2-1-25	ED330066	BIND HEAD SCREW	3x6 FCRM3-BL	
2-1-26	EP600190	BIND HEAD B-TITE SCREW	3x8 ZMC2-BL	
2-1-27	VG893800	BIND HEAD P-TITE SCREW	2x6 ZMC2-BL	
2-1-28	VE529700	PW HEAD B-TITE SCREW	3x6-8 MFC2-BL	
* 2-2	V6601000	P.C.B. ASS'Y	OPERATION	UCRATL
* 2-2	V6601100	P.C.B. ASS'Y	OPERATION	G
2-8	MF114250	FLEXIBLE FLAT CABLE C&C	14P 250mm	

* New Parts

Ref. No.	PART NO.	Description	Remarks	Markets
* 2-11	V6065700	SUB CHASSIS		
* 2-12	V6065500	SUPPORT/PJ		
* 2-13	V6069000	BUTTON CASE ASSY	UPPER	GD
* 2-13	V6068900	BUTTON CASE ASSY	UPPER	BL
* 2-14	V6069200	BUTTON/POWER		GD
* 2-14	V6069100	BUTTON/POWER		BL
* 2-18	V6065600	SUPPORT/ENC		
* 2-19	V6071000	SUPPORT	SHAFT	
2-21	EP600190	BIND HEAD B-TITE SCREW	3x8 ZMC2-BL	
2-22	EP600130	BIND HEAD B-TITE SCREW	3x6 ZMC2-Y	
2-23	VN413300	BIND HEAD BONDING B-T. SCREW	3x8 MFZN2-BL	
4-1	V3316600	DC BRUSHLESS FAN	2410ML-05W-B40-T14	
4-2	VV691100	FRAME	SF	
4-4	VV713600	BRACKET	F	BL
4-6	VZ012900	CUSHION, FAN		
4-8	CB502030	BINDING TIE	S-75B	
4-10	EP630220	BIND HEAD P-TITE SCREW	3x8 ZMC2-BL	
4-12	VV220300	BIND HEAD B-TITE SCREW	3x30 MFZN2-BL	
* 5-1	V6228000	HEAT SINK	40BS300-L130	
△ 5-2	VY705000	TRANSISTOR	2SC5200 R,0	Q54, Q58, Q61, Q65
△ 5-3	V6063900	TRANSISTOR	2SC5358 O,R	Q68, Q72, Q75, Q79 Q82, Q86, Q89, Q93
5-5	VK196000	SHEET	22x29	
* 5-6	V6492000	RADIATION SHEET	BFG-20ADH-6 24X36	
5-7	VK195900	SHEET	19x24	
5-9	VK173200	SCREW, TRANSISTOR	3x15 SP FCM3	
5-13	VU195800	DAMPER, FIN		
* 11	V6600000	P.C.B. ASS'Y	DSP	UC
* 11	V6600100	P.C.B. ASS'Y	DSP	RLT
* 11	V6600200	P.C.B. ASS'Y	DSP	AG
* 12	V6602000	P.C.B. ASS'Y	F AMP	UC
* 12	V6602100	P.C.B. ASS'Y	F AMP	RT
* 12	V6602200	P.C.B. ASS'Y	F AMP	A
* 12	V6602300	P.C.B. ASS'Y	F AMP	G
* 12	V6602400	P.C.B. ASS'Y	F AMP	L
* 14	V6604000	P.C.B. ASS'Y	MAIN	UC
* 14	V6604100	P.C.B. ASS'Y	MAIN	RT
* 14	V6604200	P.C.B. ASS'Y	MAIN	A
* 14	V6604300	P.C.B. ASS'Y	MAIN	G
* 14	V6604400	P.C.B. ASS'Y	MAIN	L
* 15	V6605000	P.C.B. ASS'Y	FUNCTION	UC
* 15	V6605100	P.C.B. ASS'Y	FUNCTION	RT
* 15	V6605200	P.C.B. ASS'Y	FUNCTION	AL
* 15	V6605300	P.C.B. ASS'Y	FUNCTION	G
* 16	V6606000	P.C.B. ASS'Y	VIDEO	UCRT
* 16	V6606100	P.C.B. ASS'Y	VIDEO	AL
* 16	V6606200	P.C.B. ASS'Y	VIDEO	G
* 19	V6166300	AM/FM TUNER	TFCE1U213A U	UCRT
* 19	V6166400	AM/FM TUNER	TFCE1E213A G	AGL
△ 23	XZ441A00	POWER TRANSFORMER		U
△ 23	XZ442A00	POWER TRANSFORMER		C
△ 23	XZ444A00	POWER TRANSFORMER		A
△ 23	XZ445A00	POWER TRANSFORMER		GL

* New Parts

Ref. No.	PART NO.	Description	Remarks	Markets
* 23	XZ443A00	POWER TRANSFORMER		RT
23-1	Vi449800	VOLTAGE SELECTOR	ESE-37284-F	RT
24	VP418300	POWER CORD ASS'Y		A
24	VZ542500	POWER CORD ASS'Y		RT
25	V2438700	CORD STOPPER	10P1	RAT
* 30	MF129100	FLEXIBLE FLAT CABLE	29P 100mm P=1.25	RAGTL
* 30	V6684000	S FLEXIBLE FLAT CABLE	29P 100mm P=1.25	UC
* 31	MF115180	FLEXIBLE FLAT CABLE	15P 180mm P=1.25	
32	MF112100	FLEXIBLE FLAT CABLE	12P 100mm P=1.25	
* 33	V6684100	S FLEXIBLE FLAT CABLE	15P 350mm P=1.25	
34	MF111400	FLEXIBLE FLAT CABLE	11P 400mm	
* 35	MF117140	FLEXIBLE FLAT CABLE	17P 140mm P=1.25	
* 36	MF115060	FLEXIBLE FLAT CABLE	15P 60mm P=1.25	
38	MF119200	FLEXIBLE FLAT CABLE	19P 200mm	
* 51	V6404800	TOP COVER		GD
51	VZ617400	TOP COVER		BL
52	VJ893400	BOTTOM COVER		
54	V2614300	FRAME	L	
* 55	V6063400	FRAME	R/LOWER	
56	V2614500	FRAME	SL	
57	VZ618100	FRAME	R/UP	
* 58	V6063300	FRAME, CENTER		
* 59	V6063500	REAR PANEL		RX-V3000 U
* 59	V6063700	REAR PANEL		RX-V3000 C
* 59	V6063800	REAR PANEL		RX-V3000 RT
* 59	V6064000	REAR PANEL		RX-V3000 A
* 59	V6064100	REAR PANEL		RX-V3000 L
* 59	V6064200	REAR PANEL		RX-V3000RDS G
60	VV826100	SUPPORT	TR	
* 61	V6064700	SHIELD CASE		
* 62	V6064900	SUPPORT	D/PCB	
* 63	V6669900	SSUPPORT, TOP		
* 64	V6068000	KNOB/D43		BL
* 64	V6068100	KNOB/D43		GD
* 65	V6001600	KNOB D15		BL
* 65	V6001700	KNOB D15		GD
* 66	V6069800	KNOB D15		BL
* 66	V6069900	KNOB D15		GD
* 67	V6078600	KNOB/D15		RX-V3000BL
* 67	V6078800	KNOB/D15		RX-V300GD
70	VJ895500	FRAME	A	
71	VT999700	SUPPORT	R/FR	
73	VE222600	CUSHION		
80	V0042500	LEG	D60xH21	GD
80	VS025000	LEG	D60xH21	
81	CB068880	PLASTIC RIVET	No. 1027	
82	CB605620	PLASTIC RIVET	No. 1781	
83	VV692400	SUPPORT	H/PCB	
* 84	V6064800	SUPPORT	SF	
85	VN413300	BIND HEAD BONDING B-T. SCREW	3x8 MFZN2-BL	
86	EP600190	BIND HEAD B-TITE SCREW	3x8 ZMC2-BL	
87	ED330066	BIND HEAD SCREW	3x6 FCRM3-BL	RT
88	EK930010	PW HEAD B-TITE SCREW	3x8-8 FCRM3-BL	

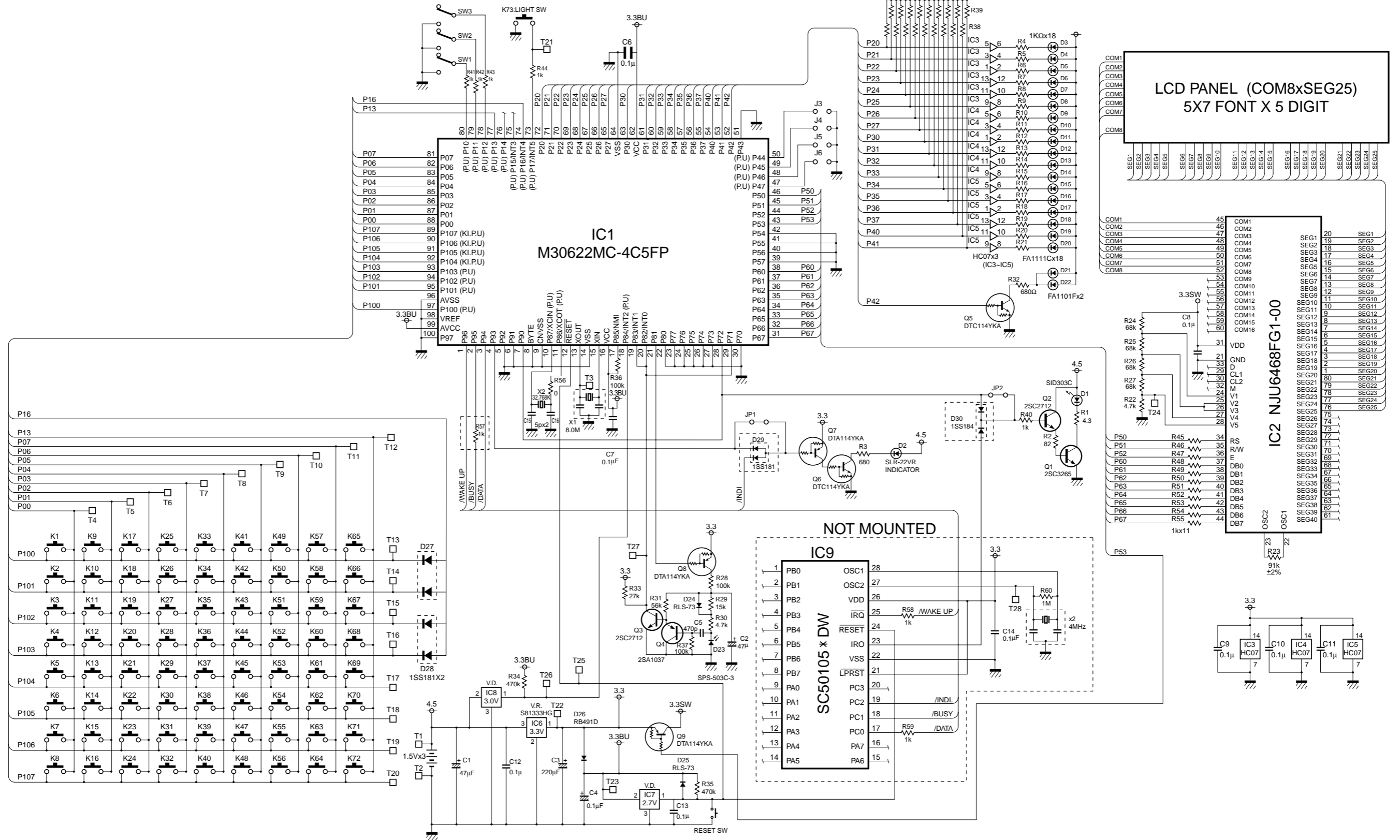
* New Parts

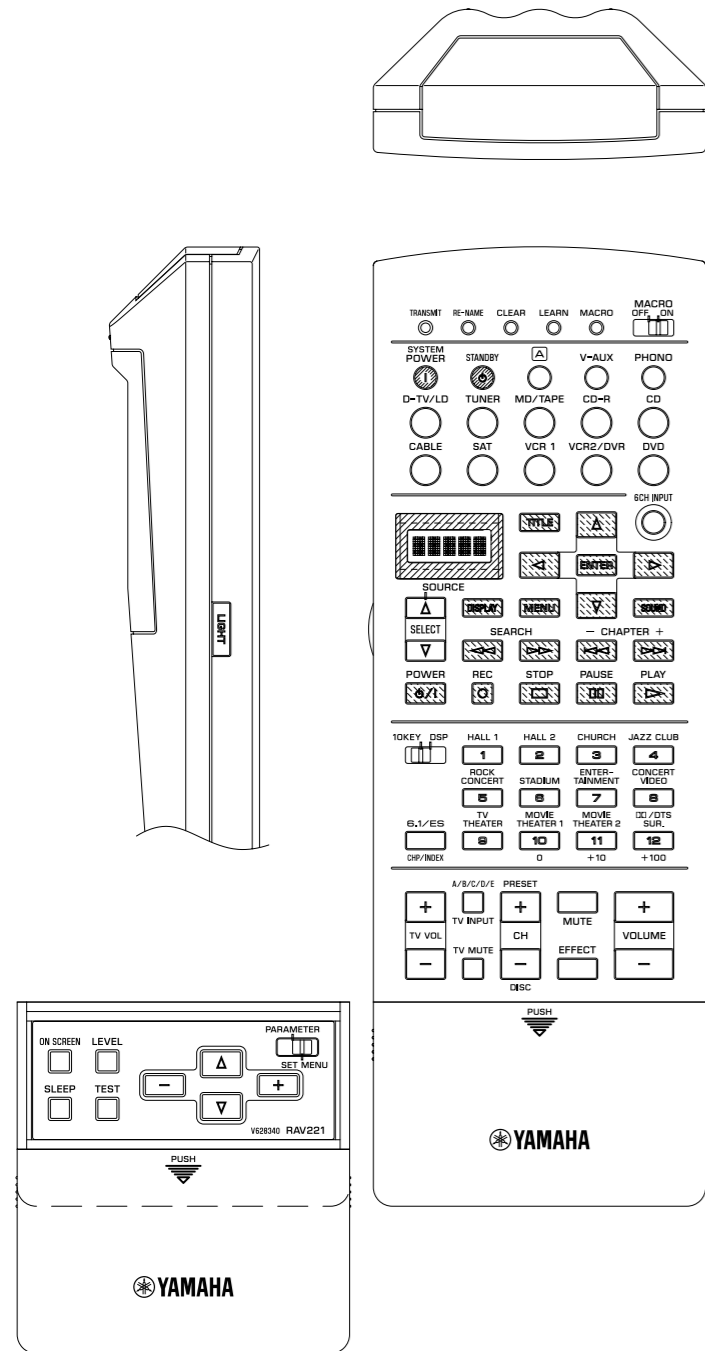
Ref. No.	PART NO.	Description	Remarks	Markets
89	VK625000	CUP S-TITE SCREW	5x10-12 ZMC2-Y	
90	EK365090	PW HEAD S-TITE SCREW	4x8-10 FCRM3-BL	BL
90	VD069600	PW HEAD S-TITE SCREW	4x8-10 MFNI-33	GD
91	AA627310	GROUND TERMINAL		
92	EV265560	PLAIN WASHER	3.6x10x0.8 FNM3-3G	
93	EP600220	BIND HEAD B-TITE SCREW	3x10 ZMC2-Y	
94	EX601850	SPECIAL SCREW S-TITE	4x8-10 FCRM3-BL	BL
94	VZ893000	DECORATED SCREW S-TIGHT	4x8-10 MFNI-33	GD
96	VY979800	SUPPORT, FAN COVER		
97	VY980000	SUPPORT	R	
98	VY980100	PLATE, FAN COVER		
99	VQ199500	DAMPER	TRANSF.	RAGT
100	VK173200	SCREW, TRANSISTOR	3x15 SP FCM3	
101	CB502030	BINDING TIE	S-75B	
102	V6983800	SPACER/T05		
103	VQ758300	CUSHION,L		
104	V6276700	CUSHION/F		
105	VB072700	FLAT HEAD S-TITE SCREW	3x8 ZMC2-BL	
121	VY731200	BONDING HEAD TAPPING SCREW	3x10 MFNI33	
123	VK697600	BIND HEAD B-TITE SCREW	3x10 SP ZMC2-Y	
124	EP600530	BIND HEAD S-TITE SCREW	3x8 ZMC2-BL	
135	EL300690	PW HEAD P-TITE SCREW	3x8-8 MFC2-BL	
151	V3768900	SCREW, LOCK	17L-003C41	
		ACCESSORIES		
* 200	V6283400	REMOTE CONTROL TRANSMITTER	RAV221	
* 200-1	AAX20900	BATTERY COVER	103RRC-170-02R	
* 200-2	AAX20890	SLIDE COVER	103RRC-171-02R	
201	VQ307400	AM LOOP ANTENNA	81-653-645-110	
* 202	V6267000	ANTENNA, FM	1.4m	UCRT
202	VG850700	ANTENNA, FM	1.4m	AGL
* 203	V6545800	POWER CORD ASS'Y	INLET 2.0m	UC
* 203	V6545900	POWER CORD ASS'Y	INLET 2.0m	GL
* 204	V6181600	SHEET/SIDE R	1pc	BL
* 204	V6181800	SHEET/SIDE R	1pc	GD
* 205	V6181900	SHEET/SIDE L	1pc	BL
* 205	V6182100	SHEET/SIDE L	1pc	GD
		BATTERY(ALKALINE DRY)	1.5V LR6(3S)AG	

* New Parts

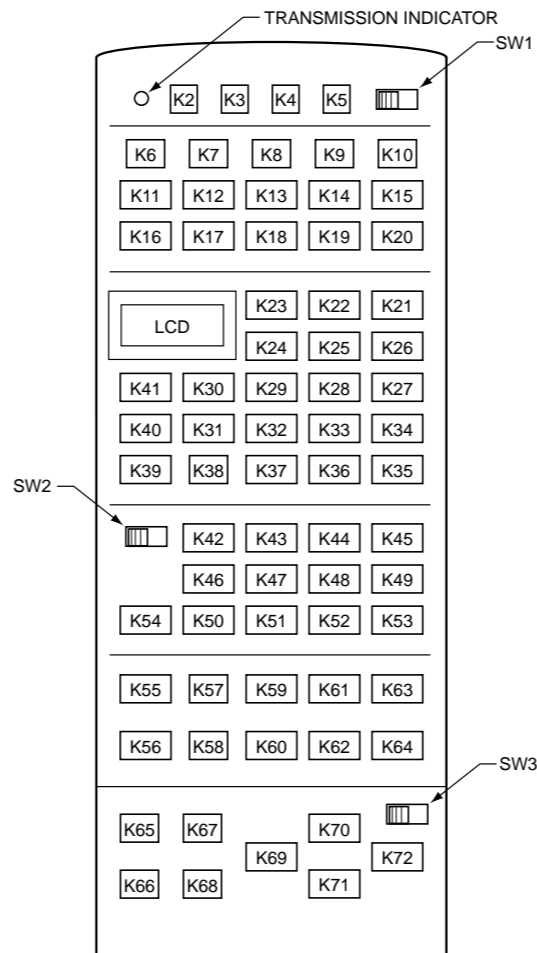
REMOTE CONTROL TRANSMITTER

SCHEMATIC DIAGRAM





Key arrangement



Initial code of Yamaha/ヤマハ初期コード・・・1/2

Key No.	Key Name	YPC	DSP *1	Zone2 *2
1	----			
2	RE-NAME			
3	CLEAR			
4	LEARN			
5	MACRO			
6	POWER on	*7A-1D	7D-90	*7A-1D
7	STANDBY	7A-1E	7D-91	7A-1E
8	A			
9	V-AUX	7A-55	7D-8A	7A-D8
10	PHONO	7A-14	7D-88	7A-D0
11	D-TV/LD	7A-54	7D-84	7A-D9
12	TUNER	7A-16	7D-89	7A-D2
13	MD/TAPE	7A-18	7D-8B	7A-D3
14	CD-R	7A-19	7D-8C	7A-D4
15	CD	7A-15	7D-87	7A-D1
16	CABLE	7A-C0	7D-96	7A-CC
17	SAT	7A-CA	7D-98	7A-CB
18	VCR1	7A-0F	7D-81	7A-D6
19	VCR2/DVR	7A-13	7D-82	7A-D7
20	DVD	7A-C1	7D-97	7A-CD
21	EXT. DEC.	7A-87	7D-8C	7A-87

*1; Those code are transmitted when "DSP" is set-up as AMP library.
AMPライブラリをDSPに設定することで送信される。

*2; Those code are transmitted when "Zone2" is chosen with Select key.
SelectキーによってZone2を選択することで送信される。

*; Transmitting Code of K6, '7A-1D'
K6送信コード、'7A-1D'について
Full word transmitted twice.
ワード部が2回送信される。

Device not mentioned on this table has no initial code.
本表に記載なきデバイスの初期コードはなし。

Key No.	Device	DVD (K20)	A (K8)	CD (K15)	MD/TAPE (K13)	TUNER (K12)	CD-R (K14)
22	Up	7C-B4					
23	TITLE	7C-B1					
24	Left	7C-B5					
25	Enter	7C-B8					
26	Right	7C-B6					
27	SOUND	7C-AD	7C-12				
28	Down	7C-B3					
29	MENU	7C-B2					
30	DISPLAY	7C-A6	7C-13	79-0A	79-A5		7F-9E
31	REW(SEARCH)	7C-86	7C-06	7A-0D	79-AC		7F-88
32	FF(SEARCH)	7C-87	7C-07	7A-0C	79-AD		7F-89
33	CHP/SKIP-	7C-B9	7C-02	7A-0B	79-AB		7F-86
34	CHP/SKIP+	7C-BA	7C-03	7A-0A	79-AE		7F-87
35	PLAY	7C-82	7C-05	7A-08	79-A8		7F-82
36	PAUSE	7C-83	7C-5A	7A-09	79-A9		7F-83
37	STOP	7C-85	7C-5B	7A-09	79-AA		7F-84
38	REC	7C-B7			79-AF		
39	POWER						
40	SELECT down						
41	SELECT up						

Initial code of Yamaha/ヤマハ初期コード・・・2/2

Key No.	Key Name	YPC	DSP *1	Zone2 *2	DVD	A	CD	MD/TAPE	TUNER	CD-R
42	PRG1	7A-88	7D-D0	7A-88	7C-94	7C-17	79-11	79-85	7A-E5	7F-91
43	PRG2	7A-89	7D-D1	7A-89	7C-95	7C-18	79-12	79-86	7A-E6	7F-92
44	PRG3	7A-8A	7D-D2	7A-8A	7C-96	7C-19	79-13	79-87	7A-E7	7F-93
45	PRG4	7A-8B	7D-D3	7A-8B	7C-97	7C-1A	79-14	79-88	7A-E8	7F-94
46	PRG5	7A-8C	7D-D4	7A-8C	7C-98	7C-1B	79-15	79-89	7A-E9	7F-95
47	PRG6	7A-8D	7D-D5	7A-8D	7C-99	7C-1C	79-16	79-8A	7A-EA	7F-96
48	PRG7	7A-8E	7D-D6	7A-8E	7C-9A	7C-1D	79-17	79-8B	7A-EB	7F-97
49	PRG8	7A-8F	7D-D7	7A-8F	7C-9B	7C-1E	79-18	79-8C	7A-EC	7F-98
50	PRG9	7A-90	7D-D8	7A-90	7C-9C	7C-1F	79-19	79-8D	7A-E1	7F-99
51	PRG10	7A-91	7D-D9	7A-91	7C-93	7C-16	79-10	79-8E	7A-E2	7F-90
52	PRG11	7A-92	7D-DA	7A-92	7C-9D	7C-5D	79-1A	79-8F	7A-E3	7F-9A
53	PRG12	7A-93	7D-DB	7A-93	7C-9F	7C-5E	79-0D		7A-E4	7F-8C
54	CHP/INDEX	7A-97	7D-DF	7A-97	7C-9E	7C-15	79-0B		7A-E0	7F-8A
55	TV VOL up									
56	TV VOL down									
57	TV INPUT								7A-12	
58	TV MUTE									
59	CH up				7C-8B		7A-4F		7A-10	
60	CH down				7C-8A		7A-50		7A-11	
61	MUTE	7A-1C	7D-94	7A-DC						
62	EFFECT	7A-56	7D-C1	7A-56						
63	VOL up	7A-1A	7D-8D	7A-DA						
64	VOL down	7A-1B	7D-8E	7A-DB						
	SW3	Parameter	Set Menu	Parameter	Set Menu	Parameter	Set Menu			
65	ON SCREEN	7A-C2	7D-C2	7A-C2						
66	SLEEP	7A-57	7D-93	7A-57						
67	LEVEL	7A-86	7D-95	7A-86						
68	TEST	7A-85	7D-CA	7A-85						
69	LEFT	7A-C7	7A-9F	7D-C7	7D-9F	7A-C7	7A-9F			
70	UP	7A-C5	7A-9D	7D-C5	7D-9D	7A-C5	7A-9D			
71	DOWN	7A-C4	7A-9C	7D-C4	7D-9C	7A-C4	7A-9C			
72	RIGHT	7A-C6	7A-9E	7D-C6	7D-9E	7A-C6	7A-9E			

Key type table/キー種別表

No.	Key Name	Learn *1	Macro *2	Device *3	Illumi *4
1	----				
2	RE-NAME				
3	CLEAR				
4	LEARN				
5	MACRO				
6	POWER on				
7	STANDBY				
8	A				
9	V-AUX				
10	PHONO				
11	D-TV/LD				
12	TUNER				
13	MD/TAPE				
14	CD-R				
15	CD				
16	CABLE				
17	SAT				
18	VCR1				
19	VCR2/DVR				
20	DVD				
21	EXT. DEC.				
22	Up				D3
23	TITLE				D4
24	Left				D5
25	Enter				D6
26	Right				D7
27	SOUND				D8
28	Down				D9
29	MENU				D10
30	DISPLAY				D11
31	REW(SEARCH)				D12
32	FF(SEARCH)				D13
33	CHP/SKIP-				D14
34	CHP/SKIP+				D15
35	PLAY				D16
36	PAUSE				D17
37	STOP				D18
38	REC				D19
39	POWER				D20
40	SELECT down				
41	SELECT up				
42	PRG1				
43	PRG2				
44	PRG3				
45	PRG4				
46	PRG5				
47	PRG6				
48	PRG7				
49	PRG8				
50	PRG9				
51	PRG10				
52	PRG11				
53	PRG12				
54	CHP/INDEX				
55	TV VOL up				
56	TV VOL down				
57	TV INPUT				
58	TV MUTE				
59	CH up				
60	CH down				
61	MUTE				
62	EFFECT				
63	VOL up				
64	VOL down				
65	ON SCREEN				
66	SLEEP				
67	LEVEL				
68	TEST				
69	LEFT				
70	UP				
71	DOWN				
72	RIGHT				

*1; The key which has is learning key.
のキーが学習可能キー

*2; The key which has is Macro transmitting key.
のキーがマクロ送信登録可能キー

*3; The key which has is for Device select.
のキーはデバイス選択キー

*4; The key which has D** is Illuminated key.
D**表記のあるキーが照光キー
(D*: LED Assign/LED アサインを示す)

Key Function of K22 - K60/K22 ~K60のキーファンクション

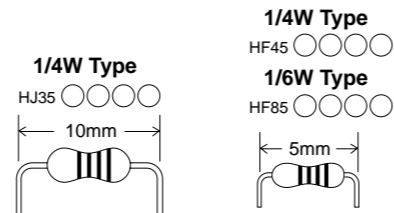
	Device	DVD	CD-R	SAT	VCR2/DVR	VCR1	CD	MD/TAPE	TUNER	CABLE	D-TV/LD	PHONO	V-AUX	A	OPTN	
22	Up	Menu up		Menu up						Menu up						
23	TITLE	Title														
24	Left	Menu left		Menu left						Menu left						
25	Enter	Menu enter		Menu select						Menu select						
26	Right	Menu right		Menu right						Menu right						
27	SOUND	Audio												Audio		
28	Down	Menu down		Menu down						Menu down						
29	MENU	MENU		MENU												
30	DISPLAY	Display	Display	Display			Display	Display		Display	Display			Display		
31	REW(SEARCH)	Rew	Rew	(VCR1 Rew)	Rew	Rew	Rew	Rew		(VCR1 Rew)	(VCR1 Rew)			Rew		
32	FF(SEARCH)	FF	FF	(VCR1 FF)	FF	FF	FF	FF		(VCR1 FF)	(VCR1 FF)			FF		
33	CHP/SKIP-	Skip-	Skip-				Skip-	Skip-						Chap/Skip-		
34	CHP/SKIP+	Skip+	Skip+				Skip+	Skip+						Chap/Skip+		
35	PLAY	Play	Play	(VCR1 Play)	Play	Play	Play	Play		(VCR1 Play)	(VCR1 Play)			Play		
36	PAUSE	Pause	Pause	(VCR1 Pause)	Pause	Pause	Pause	Pause		(VCR1 Pause)	(VCR1 Pause)			Pause		
37	STOP	Stop	Stop	(VCR1 Stop)	Stop	Stop	Stop	Stop		(VCR1 Stop)	(VCR1 Stop)			Stop		
38	REC	Return	REC	(VCR1 REC)	REC	REC	REC	REC		(VCR1 REC)	(VCR1 REC)					
39	POWER	Power	Power	Power	Power	Power	Power	Power	Power	Power	Power			Power		
40	SELECT down	Device select down								Device select down						
41	SELECT up	Device select up								Device select up						
42	PRG1	1	1	1	1	1	1	1	P1	1	1			1		
43	PRG2	2	2	2	2	2	2	2	P2	2	2			2		
44	PRG3	3	3	3	3	3	3	3	P3	3	3			3		
45	PRG4	4	4	4	4	4	4	4	P4	4	4			4		
46	PRG5	5	5	5	5	5	5	5	P5	5	5			5		
47	PRG6	6	6	6	6	6	6	6	P6	6	6			6		
48	PRG7	7	7	7	7	7	7	7	P7	7	7			7		
49	PRG8	8	8	8	8	8	8	8	P8	8	8			8		
50	PRG9	9	9	9	9	9	9	9	B	9	9			9		
51	PRG10	0	0	0	0/10	0/10	0	0	C	0	0/10			0		
52	PRG11	+10	+10	Recall			+10	+10	D	Recall				+10		
53	PRG12	Clear	Clear				Clear		E					Clear		
54	CHP/INDEX	Title/index	Index	Enter	TV/VIDEO	TV/VIDEO	Index		A	enter	enter			CHP/Time		
55	TV VOL up	(TVVOL up)	(TVVOL up)	(TVVOL up)	(TVVOL up)	(TVVOL up)	(TVVOL up)	(TVVOL up)		(TVVOL up)	TVVOL up	(TVVOL up)	(TVVOL up)	(TVVOL up)	(TVVOL up)	
56	TV VOL down	(TVVOL down)	(TVVOL down)	(TVVOL down)	(TVVOL down)	(TVVOL down)	(TVVOL down)	(TVVOL down)		(TVVOL down)	TVVOL down	(TVVOL down)	(TVVOL down)	(TVVOL down)	(TVVOL down)	
57	TV INPUT	(TV Input)	(TV Input)	(TV Input)	(TV Input)	(TV Input)	(TV Input)	(TV Input)	A/B/C/D/E, FM/AM	(TV Input)	TV Input	(TV Input)	(TV Input)	(TV Input)	(TV Input)	
58	TV MUTE	(TV Mute)	(TV Mute)	(TV Mute)	(TV Mute)	(TV Mute)	(TV Mute)	(TV Mute)		(TV Mute)	TV Mute	(TV Mute)	(TV Mute)	(TV Mute)	(TV Mute)	
59	CH up	DISC+		CH up	CH up	CH up	DISC+		PRESET+	CH up	CH up			DISC+		
60	CH down	DISC-		CH down	CH down	CH down	DISC-		PRESET-	CH down	CH down			DISC-		

Initial Macro setup/初期登録マクロ

Key	Key Name	1	2	3	4 - 10
6	POWER on	K6	K39 TV		
7	STANDBY	K7			
8	A	K6			
9	V-AUX	K6	K9		
10	PHONO	K6	K10		
11	D-TV	K6	K11		
12	TUNER	K6	K12		
13	MD/TAPE	K6	K13	K35 MD/TAPE	
14	CD-R	K6	K14	K35 CD-R	
15	CD	K6	K15	K35 CD	
16	CABLE	K6	K16		
17	SAT	K6	K17		
18	VCR1	K6	K18	K35 VCR1	
19	VCR2/DVR	K6	K19	K35 VCR2	
20	DVD	K6	K20	K35 DVD	

Parts List for Carbon Resistors

Value	1/4W Type Part No.	1/6W Type Part No.	Value	1/4W Type Part No.	1/6W Type Part No.
1.0 Ω	HJ35 3100	HF85 3100	10 kΩ	HF45 7100	HF45 7100
1.8 Ω	HJ35 3180	*	11 kΩ	HF45 7110	HF45 7110
2.2 Ω	HJ35 3220	HF85 3220	12 kΩ	HJ35 7120	HF85 7120
3.3 Ω	HJ35 3330	HF85 3330	13 kΩ	HF45 7130	HF45 7130
4.7 Ω	HJ35 3470	HF85 3470	15 kΩ	HF45 7150	HF45 7150
5.6 Ω	HJ35 3560	HF85 3560	18 kΩ	HF45 7180	HF45 7180
10 Ω	HF45 4100	HF45 4100	22 kΩ	HF45 7220	HF45 7220
15 Ω	HJ35 4150	HF85 4150	24 kΩ	HF45 7240	HF45 7240
22 Ω	HF45 4220	HF45 4220	27 kΩ	HJ35 7270	HF85 7270
27 Ω	HJ35 4270	HF85 4270	30 kΩ	HF45 7300	HF45 7300
33 Ω	HF45 4330	HF45 4330	33 kΩ	HF45 7330	HF45 7330
39 Ω	HJ35 4470	HF85 4390	36 kΩ	HF45 7360	HF45 7360
47 Ω	HF45 4470	HF45 4470	39 kΩ	HF45 7390	HF45 7390
56 Ω	HF45 4560	HF45 4560	47 kΩ	HF45 7470	HF45 7470
68 Ω	HF45 4680	HF45 4680	51 kΩ	HF45 7510	HF45 7510
75 Ω	HF45 4750	HF45 4750	56 kΩ	HF45 7560	HF45 7560
82 Ω	HF45 4820	HF45 4820	62 kΩ	HF45 7620	HF45 7620
91 Ω	HF45 4910	HF45 4910	68 kΩ	HF45 7680	HF45 7680
100 Ω	HF45 5100	HF45 5100	82 kΩ	HF45 7820	HF45 7820
110 Ω	HJ35 5110	HF85 5110	91 kΩ	HF45 7910	HF45 7910
120 Ω	HF45 5120	HF45 5120	100 kΩ	HF45 8100	HF45 8100
150 Ω	HF45 5150	HF45 5150	110 kΩ	HF45 8110	HF45 8110
160 Ω	HJ35 5160	*	120 kΩ	HF45 8120	HF45 8120
180 Ω	HF45 5180	HF45 5180	150 kΩ	HF45 8150	HF45 8150
200 Ω	HF45 5200	HF45 5200	180 kΩ	HF45 8180	HF45 8180
220 Ω	HF45 5220	HF45 5220	220 kΩ	HJ35 8220	HF85 8220
270 Ω	HF45 5270	HF45 5270	270 kΩ	HF45 8270	HF45 8270
330 Ω	HF45 5330	HF45 5330	300 kΩ	HF45 8300	HF45 8300
390 Ω	HF45 5390	HF45 5390	330 kΩ	HF45 8330	HF45 8330
430 Ω	HF45 5430	HF45 5430	390 kΩ	HJ35 8390	HF85 8390
470 Ω	HF45 5470	HF45 5470	470 kΩ	HF45 8470	HF45 8470
510 Ω	HF45 5510	HF45 5510	560 kΩ	HJ35 8560	HF85 8560
560 Ω	HF45 5560	HF45 5560	680 kΩ	HJ35 8680	HF85 8680
680 Ω	HF45 5680	HF45 5680	820 kΩ	HJ35 8820	HF85 8820
820 Ω	HF45 5820	HF45 5820	1.0 MΩ	HF45 9100	HF45 9100
910 Ω	HF45 5910	HF45 5910	1.2 MΩ	HJ35 9120	*
1.0 kΩ	HF45 6100	HF45 6100	1.5 MΩ	HJ35 9150	HF85 9150
1.2 kΩ	HF45 6120	HF45 6120	1.8 MΩ	HJ35 9180	HF85 9180
1.5 kΩ	HF45 6150	HF45 6150	2.2 MΩ	HJ35 9220	HF85 9220
1.8 kΩ	HF45 6180	HF45 6180	3.3 MΩ	HJ35 9330	HF85 9330
2.0 kΩ	HJ35 6200	HF85 6200	3.9 MΩ	HJ35 9390	*
2.2 kΩ	HF45 6220	HF45 6220	4.7 MΩ	HJ35 9470	HF85 9470
2.4 kΩ	HJ35 6240	HF85 6240			
2.7 kΩ	HF45 6270	HF45 6270			
3.0 kΩ	HF45 6300	HF45 6300			
3.3 kΩ	HF45 6330	HF45 6330			
3.6 kΩ	HJ35 6360	HF85 6360			
3.9 kΩ	HF45 6390	HF45 6390			
4.7 kΩ	HF45 6470	HF45 6470			
5.1 kΩ	HF45 6510	HF45 6510			
5.6 kΩ	HF45 6560	HF45 6560			
6.8 kΩ	HF45 6680	HF45 6680			
8.2 kΩ	HF45 6820	HF45 6820			
9.1 kΩ	HF45 6910	HF45 6910			



RX-V3000/RX-V3000RDS

YAMAHA